

# T92S7D12-24 ✓ ACTIVE

Potter & Brumfield | Potter & Brumfield T92

TE Internal #: 1-1393212-0

General Purpose Power Relay, DC, Monostable, 2 Form A DPST-NO, 30 A Contact Rating, 24 VDC Coil Voltage, Potter & Brumfield T92

[View on TE.com >](#)



Relays & Contactors > Electromechanical Relays > PCB Power Relay: 40 Amp, Monostable



Relay & Contactor Type: **General Purpose Power Relay**

Coil Magnetic System: **Monostable**

Contact Arrangement: **2 Form A DPST-NO**

Current Type: **DC**

Contact Current Rating: **30 A**

[All PCB Power Relay: 40 Amp, Monostable \(61\)](#)

## Features

### Product Type Features

Relay & Contactor Type	General Purpose Power Relay
------------------------	-----------------------------

### Configuration Features

Contact Number of Poles	2
Coil Special Features	UL Coil Insulation Class F
Contact Arrangement	2 Form A DPST-NO

### Electrical Characteristics

Coil Current	.071 A
Insulation Initial Dielectric Between Open Contacts	1500 Vrms
Contact Limiting Making Current	40 A
Contact Limiting Continuous Current	40 A
Contact Switching Voltage (Max)	600 VAC
Contact Switching Load (Min)	500mA @ 12V

Insulation Initial Dielectric Between Adjacent Contacts	1500 Vrms
Insulation Initial Resistance	1000 MΩ
Contact Limiting Breaking Current	40 A
Coil Resistance	350 Ω
Contact Current Rating	30 A
Coil Voltage Rating	24 VDC
Contact Voltage Rating	277 VAC
Coil Power Rating DC	1.7 W
Insulation Initial Dielectric Between Contacts & Coil	4000 Vrms

### Body Features

Product Weight	86 g[3.034 oz]
Enclosure Type	Flux Resistant Automatic Soldering

### Contact Features

Contact Material	AgCdO
------------------	-------

### Termination Features

Main Termination & Connection Type	Solder Pins
Coil Termination & Connection Type	Solder Pins

### Mechanical Attachment

Product Mount Type	Printed Circuit Board
--------------------	-----------------------

### Dimensions

Insulation Clearance Between Contact & Coil	8 mm[.315 in]
Insulation Creepage Between Contact & Coil	8 mm[.315 in]
Product Width	34.54 mm[1.36 in]
Product Length	52.32 mm[2.05 in]
Product Height	30.73 mm[1.21 in]

### Usage Conditions

Environmental Category of Protection	RTII
Operating Temperature Range	-55 – 85 °C[-67 – 185 °F]
Environmental Ambient Temperature (Max)	85 °C[185 °F]

### Operation/Application

Coil Magnetic System	Monostable
Current Type	DC

## Packaging Features

Packaging Method	Box & Tray, Bundle
------------------	--------------------

## Other

Environmental Ambient Temperature Class	70 – 85 °C
Contact Current Class	30 – 50 A
Height Class (Mechanical)	30 – 40 mm
Length Class (Mechanical)	50 – 60 mm
Width Class (Mechanical)	30 – 40 mm

## Product Compliance

[For compliance documentation, visit the product page on TE.com>](#)

EU RoHS Directive 2011/65/EU	Compliant with Exemptions
EU ELV Directive 2000/53/EC	Compliant
China RoHS 2 Directive MIIT Order No 32, 2016	Restricted Materials Above Threshold
EU REACH Regulation (EC) No. 1907/2006	Current ECHA Candidate List: JUNE 2024 (241) Candidate List Declared Against: JUNE 2024 (241) SVHC > Threshold: Cadmium oxide (4.57% in Component Part) <b>Article Safe Usage Statements:</b> Use personal protective equipment as required. Do not eat, drink or smoke when using this product. Recycle if possible and dispose of the article by following all applicable governmental regulations relevant to your geographic location.
Halogen Content	Not Low Halogen - contains Br or Cl > 900 ppm.
Solder Process Capability	Wave solder capable to 260°C

### Product Compliance Disclaimer

This information is provided based on reasonable inquiry of our suppliers and represents our current actual knowledge based on the information they provided. This information is subject to change. The part numbers that TE has identified as EU RoHS compliant have a maximum concentration of 0.1% by weight in homogenous materials for lead, hexavalent chromium, mercury, PBB, PBDE, DBP, BBP, DEHP, DIBP, and 0.01% for cadmium, or qualify for an exemption to these limits as defined in the Annexes of Directive 2011/65/EU (RoHS2). Finished electrical and electronic equipment products will be CE marked as required by Directive 2011/65/EU. Components may not be CE marked. Additionally, the part numbers that TE has identified as EU ELV compliant have a maximum concentration of 0.1% by weight in homogenous materials for lead, hexavalent chromium, and mercury, and 0.01% for cadmium, or qualify for an exemption to these limits as defined in the Annexes of Directive 2000/53/EC (ELV). Regarding the REACH Regulation, the information TE provides on SVHC in articles for this part number is based on the latest European Chemicals Agency (ECHA) 'Guidance on requirements for substances in articles' posted at this URL: <https://echa.europa.eu/guidance-documents/guidance-on-reach>

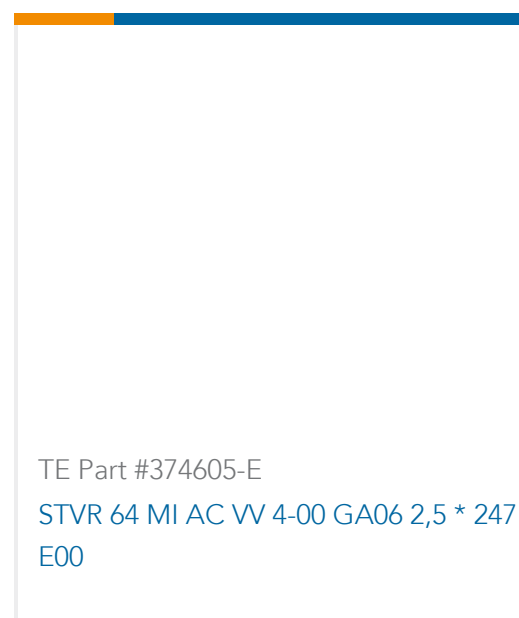
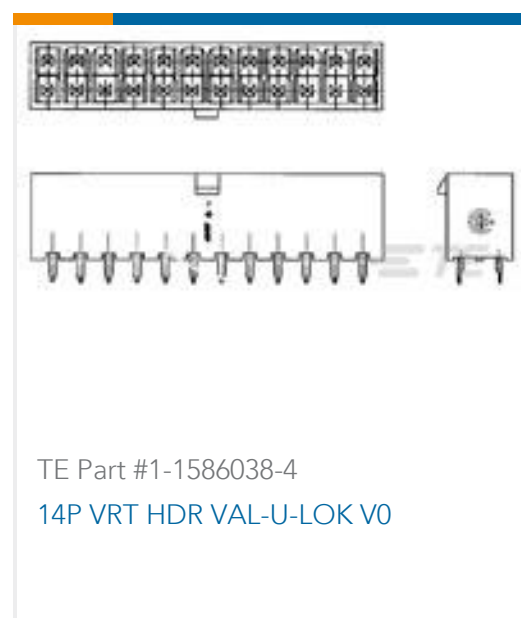
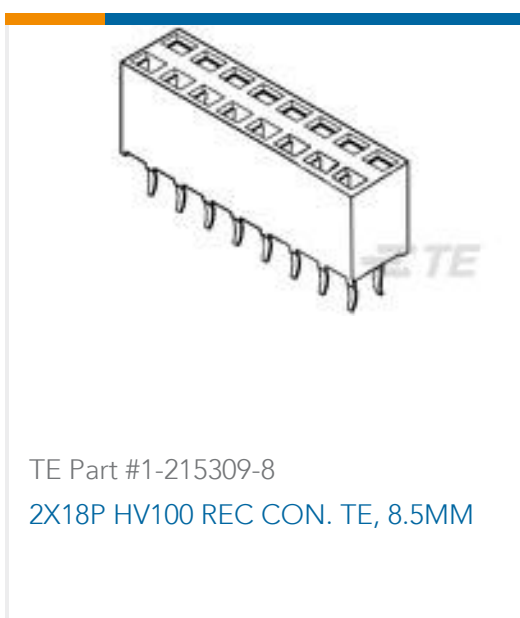
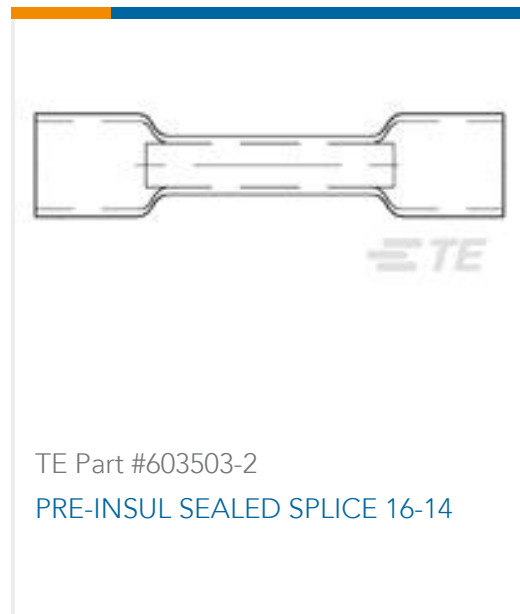
## Compatible Parts



## Also in the Series | Potter & Brumfield T92



## Customers Also Bought



## Documents

[CAD Files](#)

[3D PDF](#)

[3D](#)

[Customer View Model](#)

[ENG\\_CVM\\_CVM\\_1-1393212-0\\_G.2d\\_dxf.zip](#)

English



### Customer View Model

[ENG\\_CVM\\_CVM\\_1-1393212-0\\_G.3d\\_igs.zip](#)

English

### Customer View Model

[ENG\\_CVM\\_CVM\\_1-1393212-0\\_G.3d\\_stp.zip](#)

English

By downloading the CAD file I accept and agree to the [Terms and Conditions](#) of use.

### Datasheets & Catalog Pages

[T92 Two-Pole, 30 Amp, PC Board or Panel Mount Relay](#)

English

### Product Specifications

[Definitions General Purpose Relays](#)

English

### Agency Approvals

[CQC\\_CERT\\_16002142754\\_C1](#)

English