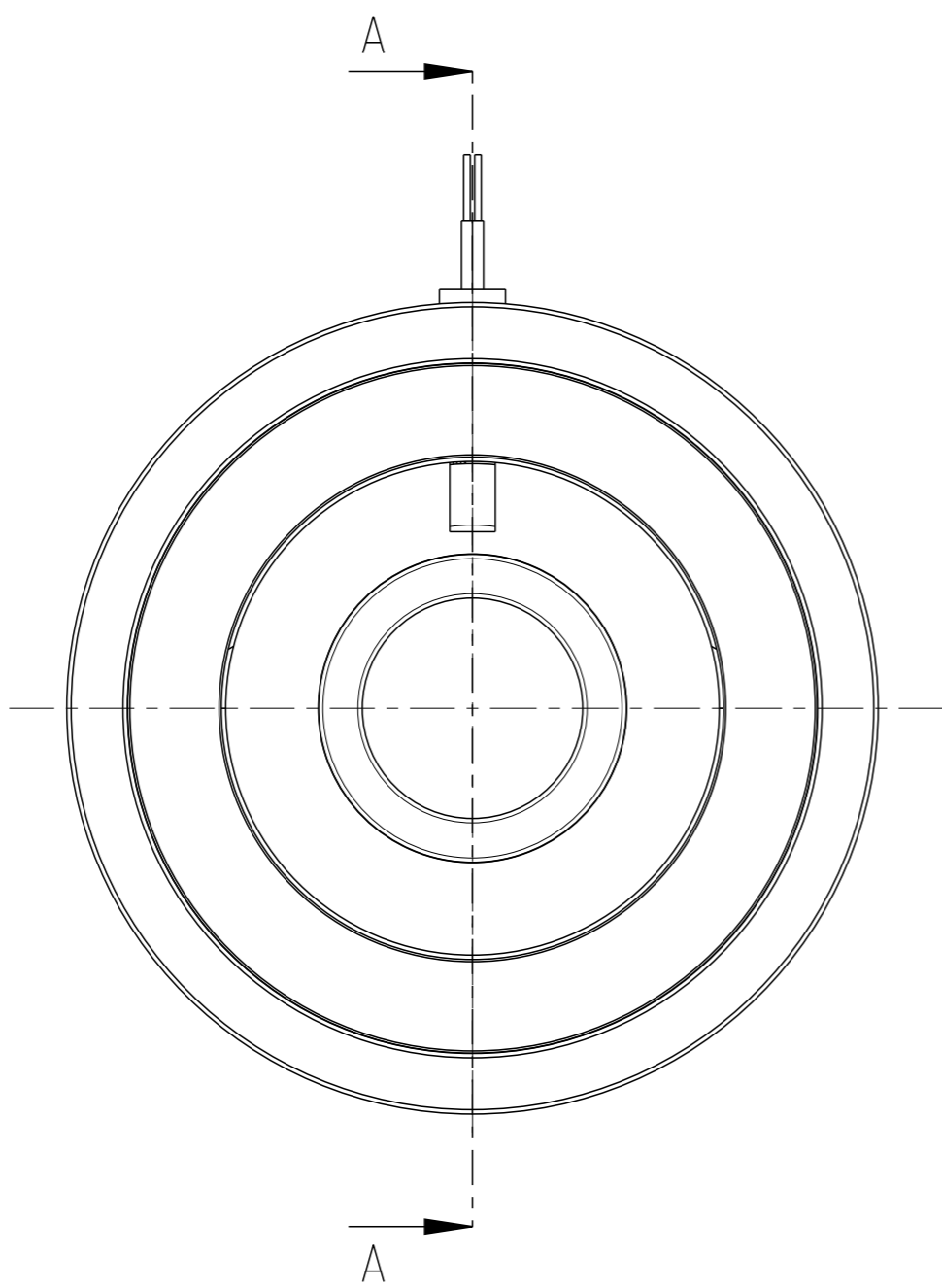
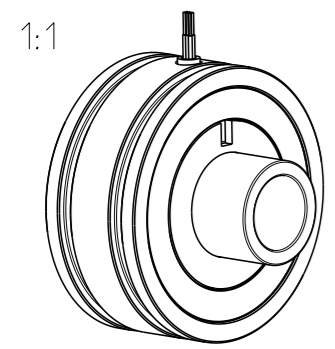
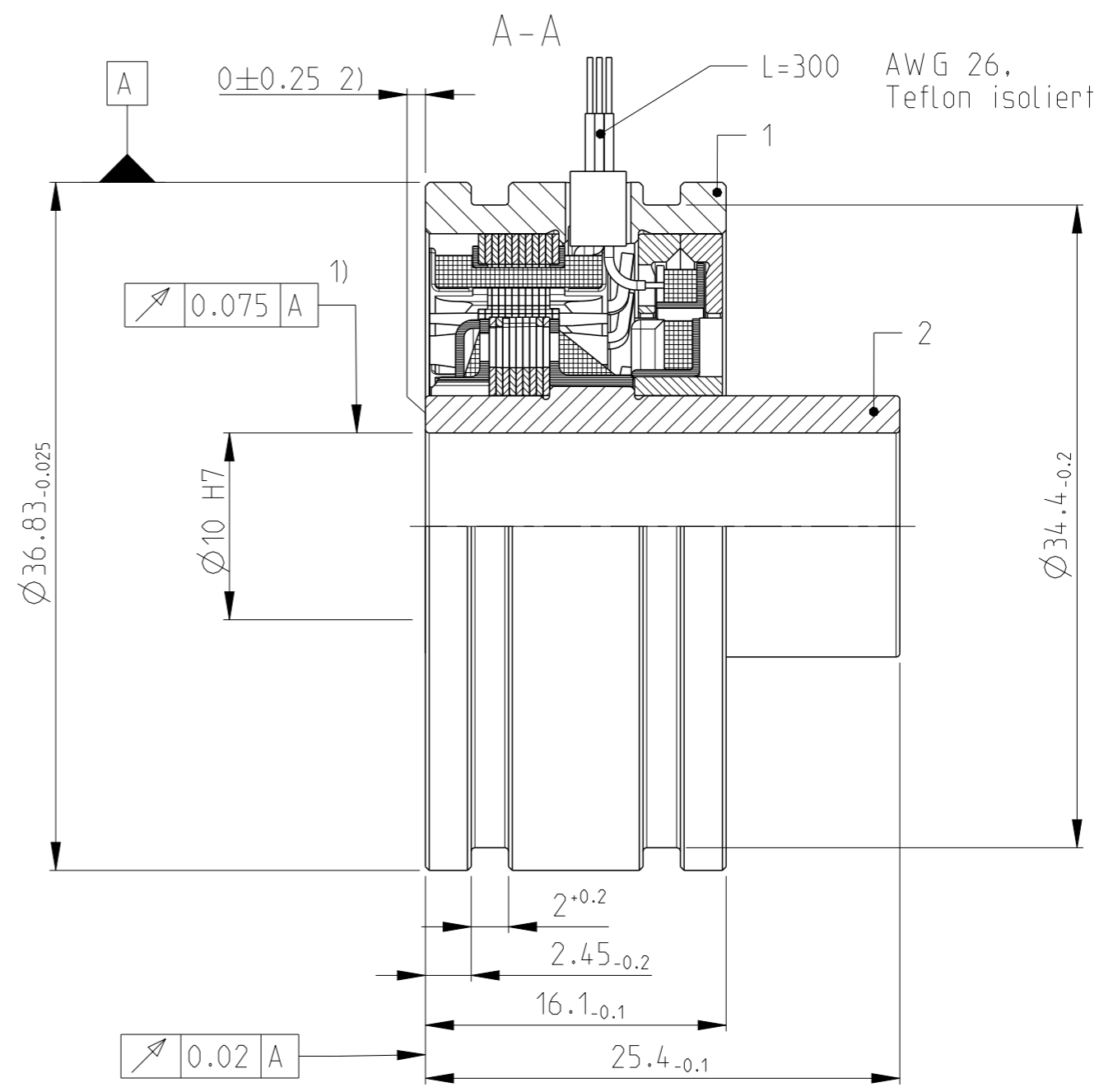


P	LTR	DESCRIPTION	DATE	DWN	APVD
	C1	INITIAL RELEASE	01JULY2015	GCM	PL

Signal	Aderfarbe
S1	rot
S2	gelb
S3	schwarz
S4	blau
R1	rot-weiss
R2	gelb-weiss



10 H7 +0.015
0



1) Gesamtschlag im eingebauten Zustand
2) Axialversatz

Ersetzt / replace V23401-D1001-C801

REVISION OF EACH ASSY NO. (WHEN BLANK, USE DWG. REVISION)	PARTNUMBER	DESCRIPTION	ITEM NO
1	1-1824841-0	Rotor kpl. / Bauform C8 (12N)	2
1	1-1824762-0	Gehäuse kpl. / Bauform D1	1
1-1824910-0	PARTNUMBER	DESCRIPTION	ITEM NO
PARTS LIST			

THIS DRAWING IS A CONTROLLED DOCUMENT.

DIMENSIONS:	TOLERANCES UNLESS OTHERWISE SPECIFIED:
mm	0 PLC ±
	1 PLC ±
	2 PLC ±
	3 PLC ±
	4 PLC ±
	ANGLES ±1°
MATERIAL	FINISH
-	-
-	-

DWN GANESH C M 01JULY2015

CHK P. LERCHENFELD 01JULY2015

APVD P. LERCHENFELD 01JULY2015

PRODUCT SPEC

APPLICATION SPEC

WEIGHT -

Customer Drawing

STE TE Connectivity

NAME Massbild Hohlwellendrehmelder Gr.15
Dimensional Drawing Resolver Sz.15
V23401-D1001-C801

SIZE A3	CAGE CODE 00779	DRAWING NO C=1411006-1	RESTRICTED TO -
SCALE 3:1	SHEET 1 OF 1	REV C1	