

4

3

2

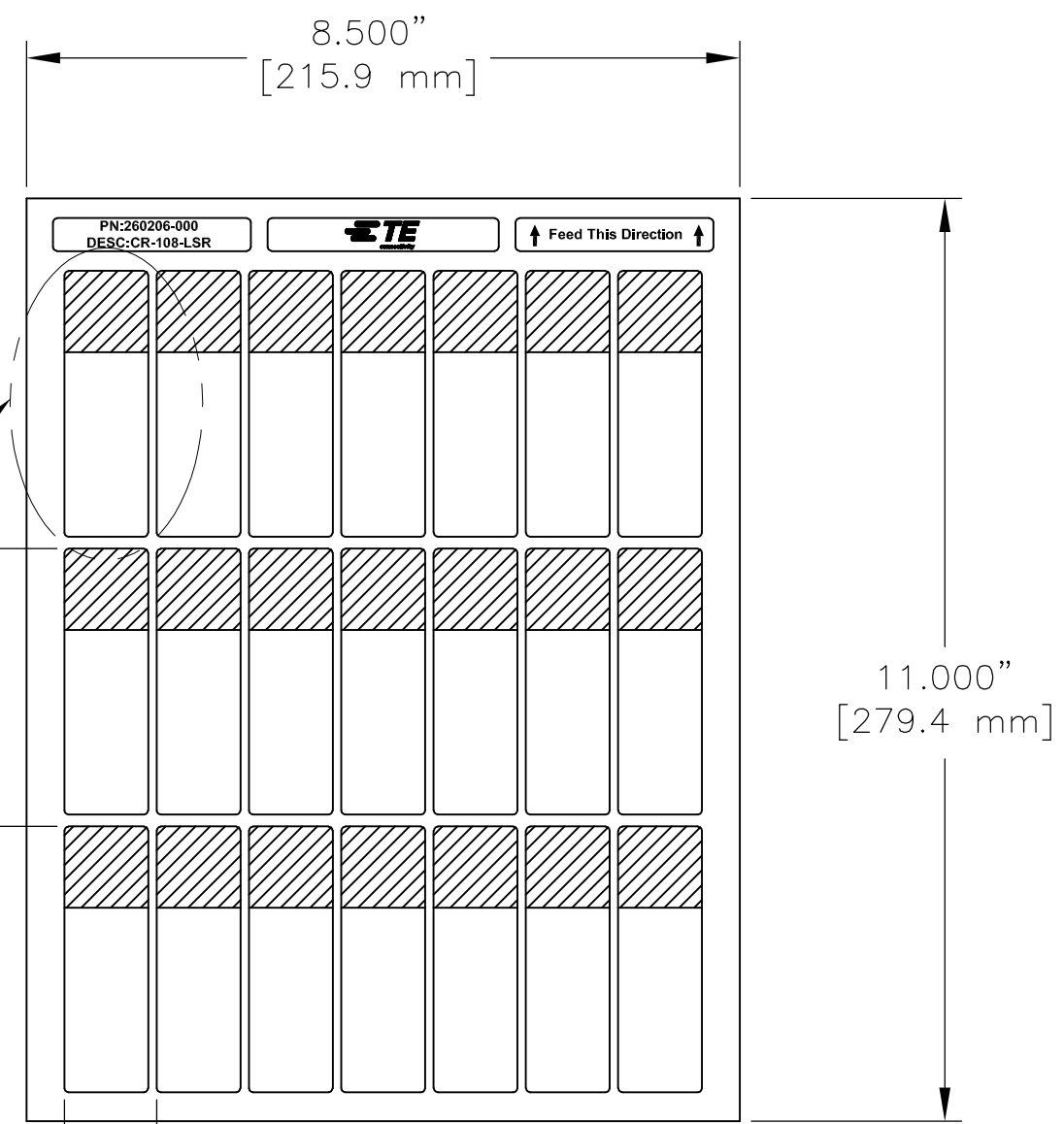
1

THIS DRAWING IS UNPUBLISHED. RELEASED FOR PUBLICATION MAY, 2017.
 © COPYRIGHT 2017 By TE Connectivity ALL RIGHTS RESERVED.

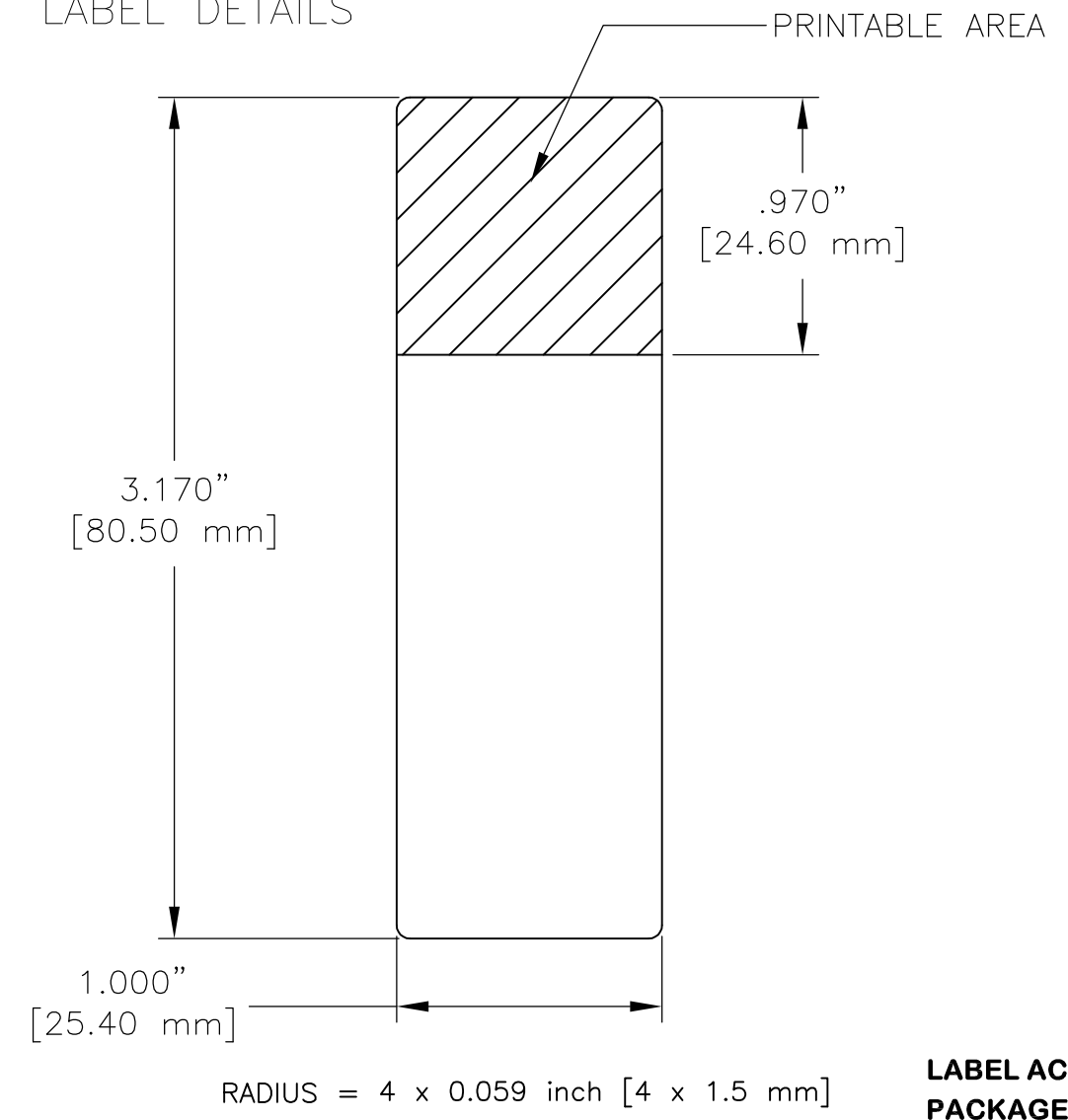
REVISIONS					
P	LTR	DESCRIPTION	DATE	DWN	APVD
	A	NEW DRAWING	23MAR2016	KR	KM
	B	DRAWING FORMAT UPDATE	11MAY2017	GK	KM

D

D



LABEL DETAILS



LABEL ACROSS: 7
PACKAGE QTY: 1,008

All dimensions in INCHES[mm]

TE PN: 260206-000

MATERIAL	CLEAR POLYESTER FILM
ADHESIVE TYPE	PERMANENT
PRINT	WHITE PRINTABLE AREA AND HEADER WITH TE LOGO AND INFORMATION LINE IN WHITE COLOUR ON CLEAR FILM
REALIZATION	21 LABELS PER SHEET

A

A

TOLERANCES INCH [mm]		THIS DRAWING IS A CONTROLLED DOCUMENT.		DWN 11MAY2017 GOPALAKRISHNA HV		STE TE Connectivity	
LABEL HEIGHT:	±.012 [0.3]	DIMENSIONS:	TOLERANCES UNLESS OTHERWISE SPECIFIED:	CHK 11MAY2017 K. MUNZ	APVD 11MAY2017 K. MUNZ		
LABEL WIDTH:	±.012 [0.3]	INCHES [mm]		PRODUCT SPEC		NAME	
WEB WIDTH:	±.031 [0.8]			APPLICATION SPEC		CR-108-LSR	
VERTICAL REPEAT:	±.031 [0.8]*			WEIGHT		SIZE	CAGE CODE
HORIZONTAL REPEAT:	±.031 [0.8]*			FINISH		DRAWING NO	RESTRICTED TO
PRINT POSITIONING:	±.031 [0.8]*			GLOSSY		A3	00779
LEFT MARGIN:	±.016 [0.4]	MATERIAL	SEE TABLE	CUSTOMER DRAWING		C=260206-000	
QUANTITY:	-0 % +2 %			SCALE		SHEET	REV
*NON ACCUMULATING				NTS		1 OF 1	B