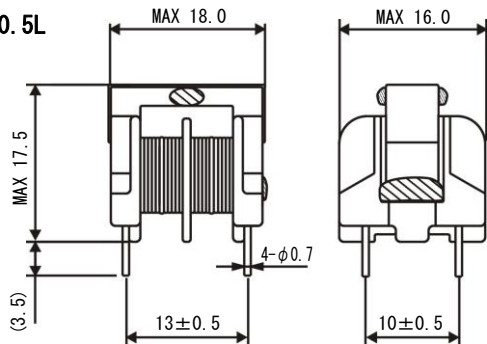
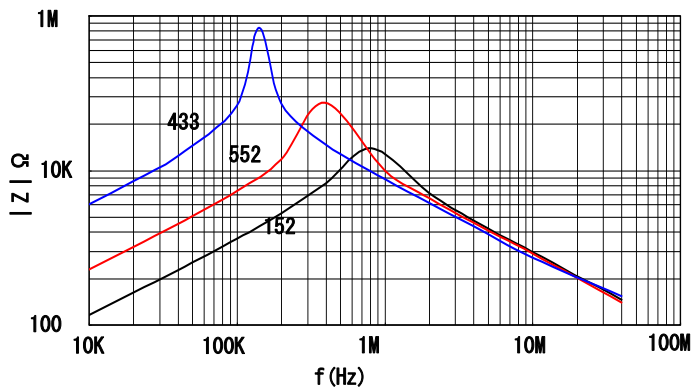


TUK-10. 5L



Impedance vs frequency (Reference)



TUK-10. 5L

(TUK-10. 5L series)

PARTS No.	INDUCTANCE [mH] MIN	L DIFFERENCE [mH] MAX	DC RESISTANCE [Ω] MAX	RATED CURRENT [A]
2R0A152K10. 5L	1. 5	0. 075	0. 128	2. 0
1R7A182K10. 5L	1. 8	0. 090	0. 169	1. 7
1R5A222K10. 5L	2. 2	0. 110	0. 195	1. 5
1R3A302K10. 5L	3. 0	0. 150	0. 246	1. 3
1R2A352K10. 5L	3. 5	0. 175	0. 299	1. 2
1R0A552K10. 5L	5. 5	0. 275	0. 424	1. 0
0R8A742K10. 5L	7. 4	0. 370	0. 594	0. 8
0R7A103K10. 5L	10. 0	0. 500	0. 795	0. 7
0R6A123K10. 5L	12. 0	0. 600	0. 980	0. 6
0R5A203K10. 5L	20. 0	1. 000	1. 588	0. 5
0R4A303K10. 5L	30. 0	1. 500	2. 513	0. 4
0R3A433K10. 5L	43. 0	2. 150	3. 763	0. 3

Custom-mode coils with different inductance and rated current available on request.