

(Common-mode choke coils)

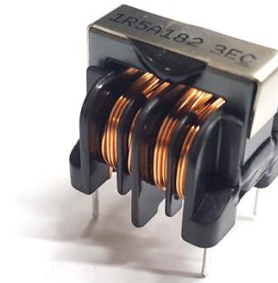
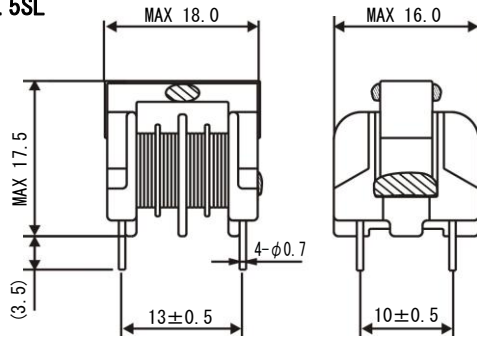
東京パーツ工業株式会社  
Tokyo Parts Industrial Co Ltd

Safety Standard certified  
EN 60065 (VDE 0860) / EN 62368-1 (VDE 861-1)

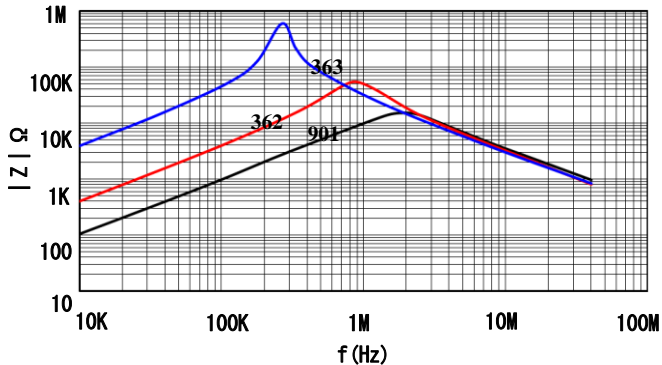
安全規格取得品

Shape and Dimensions (Unit:mm)

TUK-10.5SL



Impedance vs frequency (Reference)



TUK-10.5SL

TUK-10.5SL series)

品番 PARTS No.	INDUCTANCE [mH] MIN	L DIFFERENCE [mH] MAX	DC RESISTANCE [Ω] MAX	RATED CURRENT [A]
S2R0A901K10.5SL	0.9	0.045	0.11	2.0
S1R7A132K10.5SL	1.3	0.065	0.13	1.7
S1R5A182K10.5SL	1.8	0.090	0.18	1.5
S1R3A202K10.5SL	2.0	0.100	0.21	1.3
S1R0A362K10.5SL	3.6	0.180	0.36	1.0
S0R7A772K10.5SL	7.7	0.385	0.81	0.7
S0R5A133K10.5SL	13.0	0.650	1.36	0.5
S0R4A223K10.5SL	22.0	0.110	2.32	0.4
S0R3A363K10.5SL	36.0	0.180	3.70	0.3