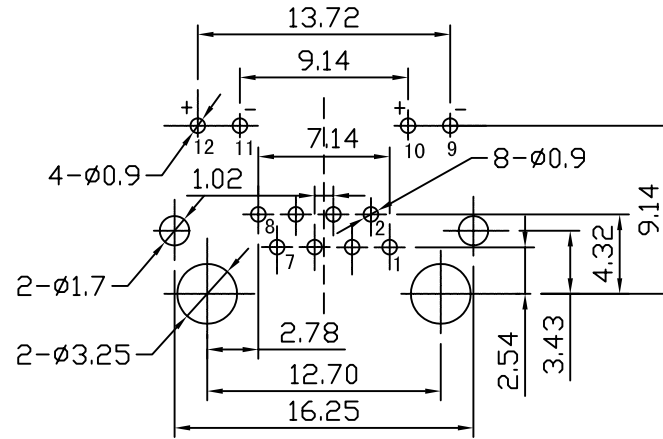
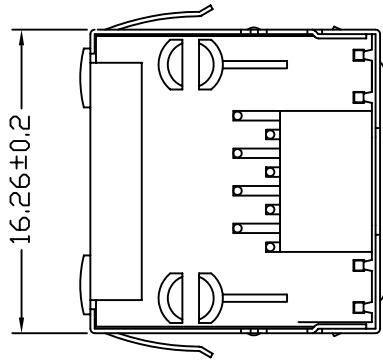


Mechanical:

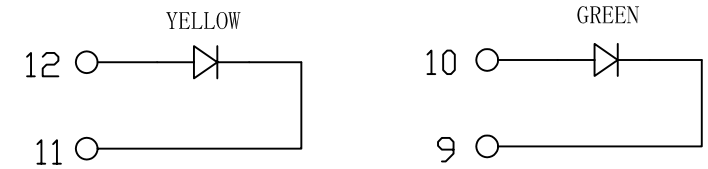
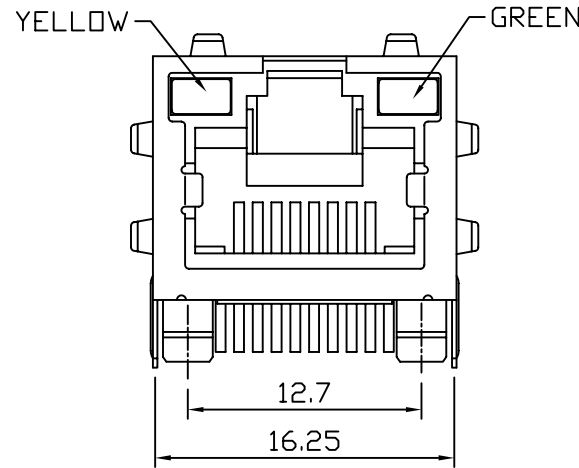
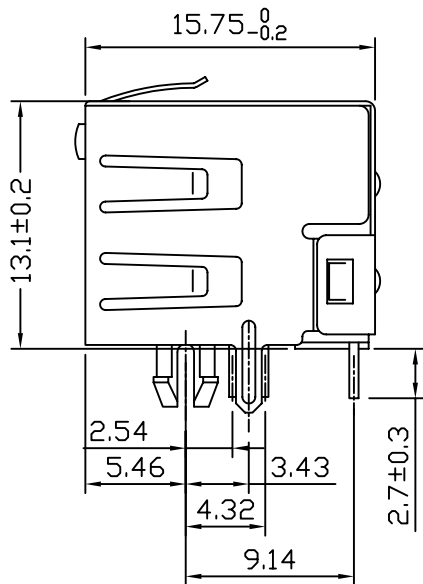
REV.	ECN NO.	DESCRIPTION	DATE	APPD
A	REL		17/09/2009	



SUGGESTED PCB LAYOUT  
(TOP VIEW)

PCB JACK Specification

1. Insulation Resistance: 500MΩ MIN @ 500 VDC
2. Withstanding Voltage: AC1000V 50Hz or 60Hz 1min.
3. Durability: 600 Mating Circles MIN.
4. Gold Plating: (flash; 1.5; 3; 6; 15; 30; 50) u inch
5. UL Certification: file number E321120
6. Tolerances Unless Otherwise Specified  
.0 ± 0.25 .00 ± 0.20 .000 ± 0.05



X:X ±0.25	APPD:	Trxcom ShenZhen Trxcom Electronics Co.,ltd
X:XX ±0.10	CHKD:	
X:XXX ±0.05	DR: leo	TITLE: RJ45 1x1 CONNECTOR
ANGLES ±1°	UNIT: mm	PART NO.: TRJE101AGNL
	SCALE: 2/1	SHEET: 1/2
	REV: A	DWG NO.: TRC09091703