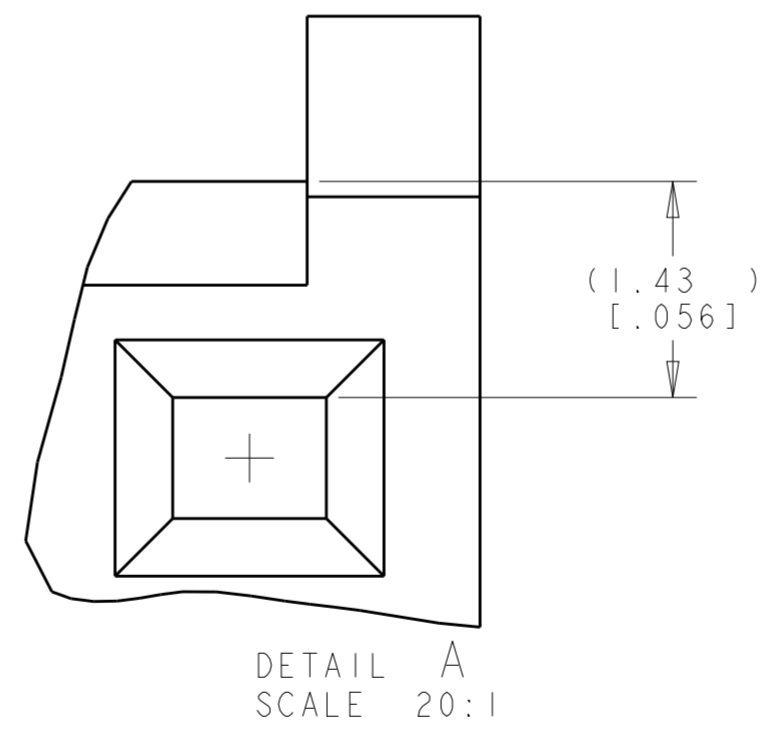
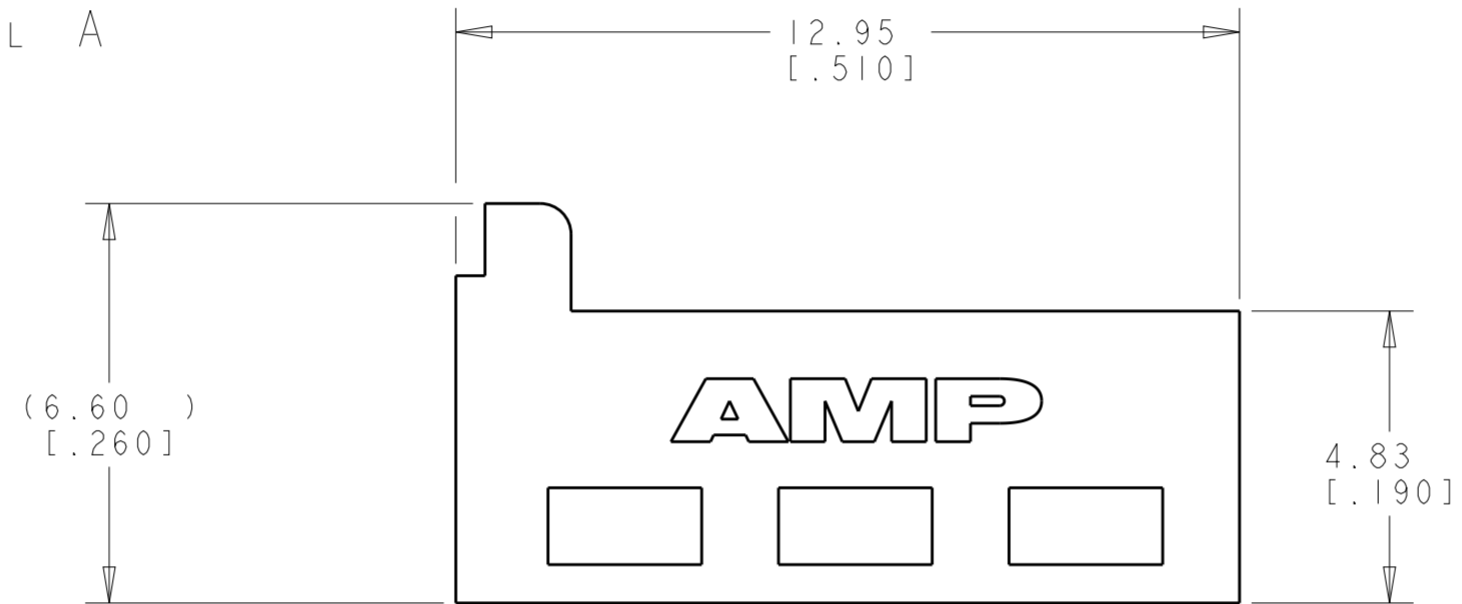
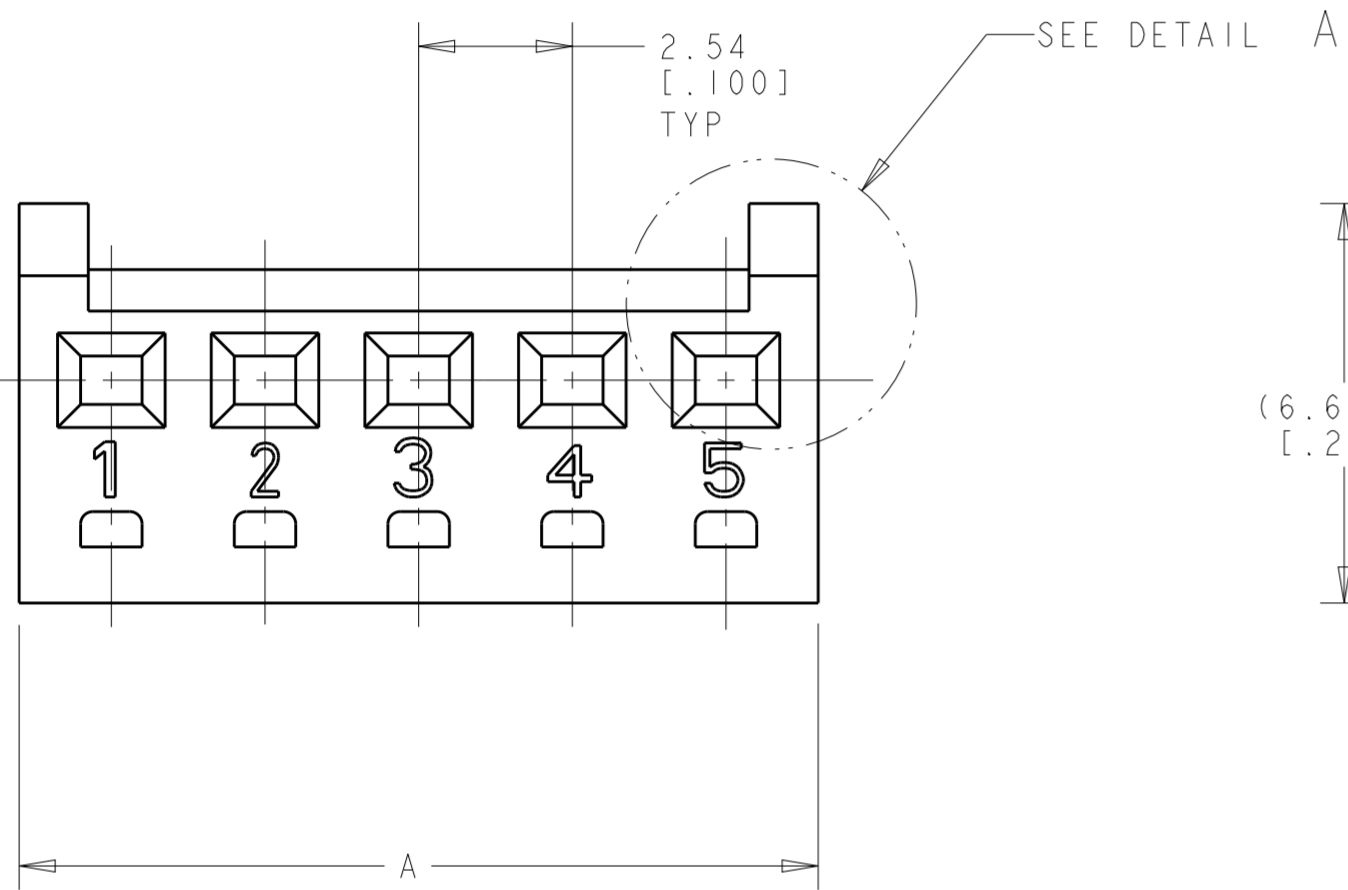


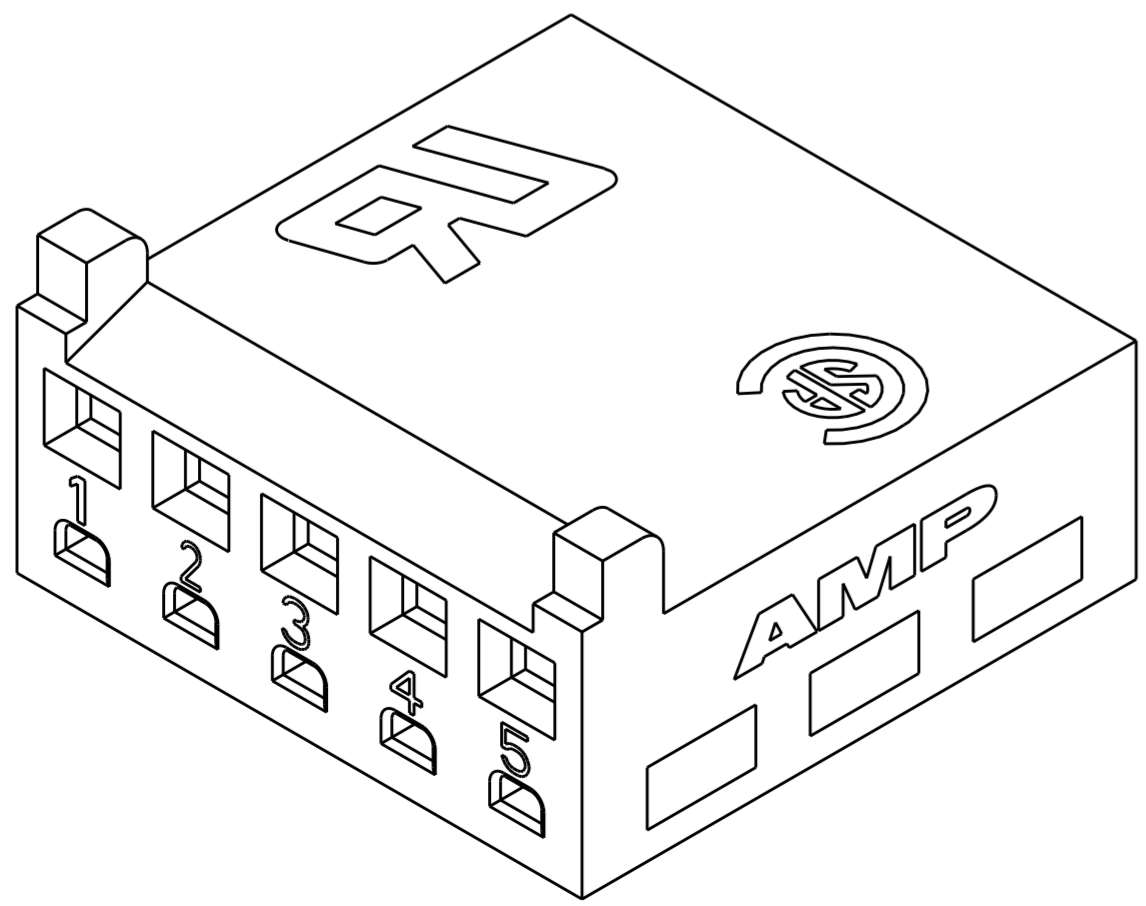
THIS DRAWING IS UNPUBLISHED. RELEASED FOR PUBLICATION 20
 © COPYRIGHT 20 ALL RIGHTS RESERVED.

| LOC | DIST | REVISIONS | | | | | |
|-----|------|-----------|-----|---------------------------|-----------|-----|------|
| CM | 00 | P | LTR | DESCRIPTION | DATE | DWN | APVD |
| | | P2 | | REVISED PER ECR-17-004864 | 21APR2017 | N.L | D.Z |

1. ACCEPTS CONTACT P/N 1375819.
2. ACCEPTS MTA-100 KEYING PLUG P/N 641994-1.
3. DIMENSIONS IN BRACKETS ARE IN INCHES.
4. NOT FOR USE WITH CONTACT PART NUMBER 770601 OR 770666.



| mm | INCH | NO OF CKTS | PART NO |
|------------------------------------|-------|------------|-------------|
| 71.63 | 2.820 | 28 | 2-1375820-8 |
| 69.09 | 2.720 | 27 | 2-1375820-7 |
| 66.55 | 2.620 | 26 | 2-1375820-6 |
| 64.01 | 2.520 | 25 | 2-1375820-5 |
| 61.47 | 2.420 | 24 | 2-1375820-4 |
| 58.93 | 2.320 | 23 | 2-1375820-3 |
| 56.39 | 2.220 | 22 | 2-1375820-2 |
| 53.85 | 2.120 | 21 | 2-1375820-1 |
| 51.31 | 2.020 | 20 | 2-1375820-0 |
| 48.77 | 1.920 | 19 | 1-1375820-9 |
| 46.23 | 1.820 | 18 | 1-1375820-8 |
| 43.69 | 1.720 | 17 | 1-1375820-7 |
| 41.15 | 1.620 | 16 | 1-1375820-6 |
| 38.61 | 1.520 | 15 | 1-1375820-5 |
| 36.07 | 1.420 | 14 | 1-1375820-4 |
| 33.53 | 1.320 | 13 | 1-1375820-3 |
| 30.99 | 1.220 | 12 | 1-1375820-2 |
| 28.45 | 1.120 | 11 | 1-1375820-1 |
| 25.91 | 1.020 | 10 | 1-1375820-0 |
| 23.37 | .920 | 9 | 1375820-9 |
| 20.83 | .820 | 8 | 1375820-8 |
| 18.29 | .720 | 7 | 1375820-7 |
| 15.75 | .620 | 6 | 1375820-6 |
| 13.21 | .520 | 5 | 1375820-5 |
| 10.67 | .420 | 4 | 1375820-4 |
| 8.13 | .320 | 3 | 1375820-3 |
| 5.59 | .220 | 2 | 1375820-2 |
| DIM A +0.25/-0.13 [+.010/-.005] | | | |



METRIC

THIS DRAWING IS A CONTROLLED DOCUMENT.

| | | | | | | |
|----------------------------|--|-------------------|--|---|-------------|--|
| DIMENSIONS: mm [INCHES] | TOLERANCES UNLESS OTHERWISE SPECIFIED: 0 PLC ± 1 PLC ± 2 PLC ±0.13 [.005] 3 PLC ± 4 PLC ± ANGLES ± FINISH | MATERIAL NYLON | DWN 21-JUNE-2001 K. WHITAKER CHK 21-JUNE-2001 J. ELLIS APVD 21-JUNE-2001 J. ELLIS | PRODUCT SPEC 108-1948 APPLICATION SPEC 114-13036 | WEIGHT - | TE Connectivity NAME HOUSING, CST-100 II SIZE CAGE CODE DRAWING NO A200779 C-1375820 RESTRICTED TO - |
|----------------------------|--|-------------------|--|---|-------------|--|

CUSTOMER DRAWING SCALE 8:1 SHEET 1 OF 1 REV P2