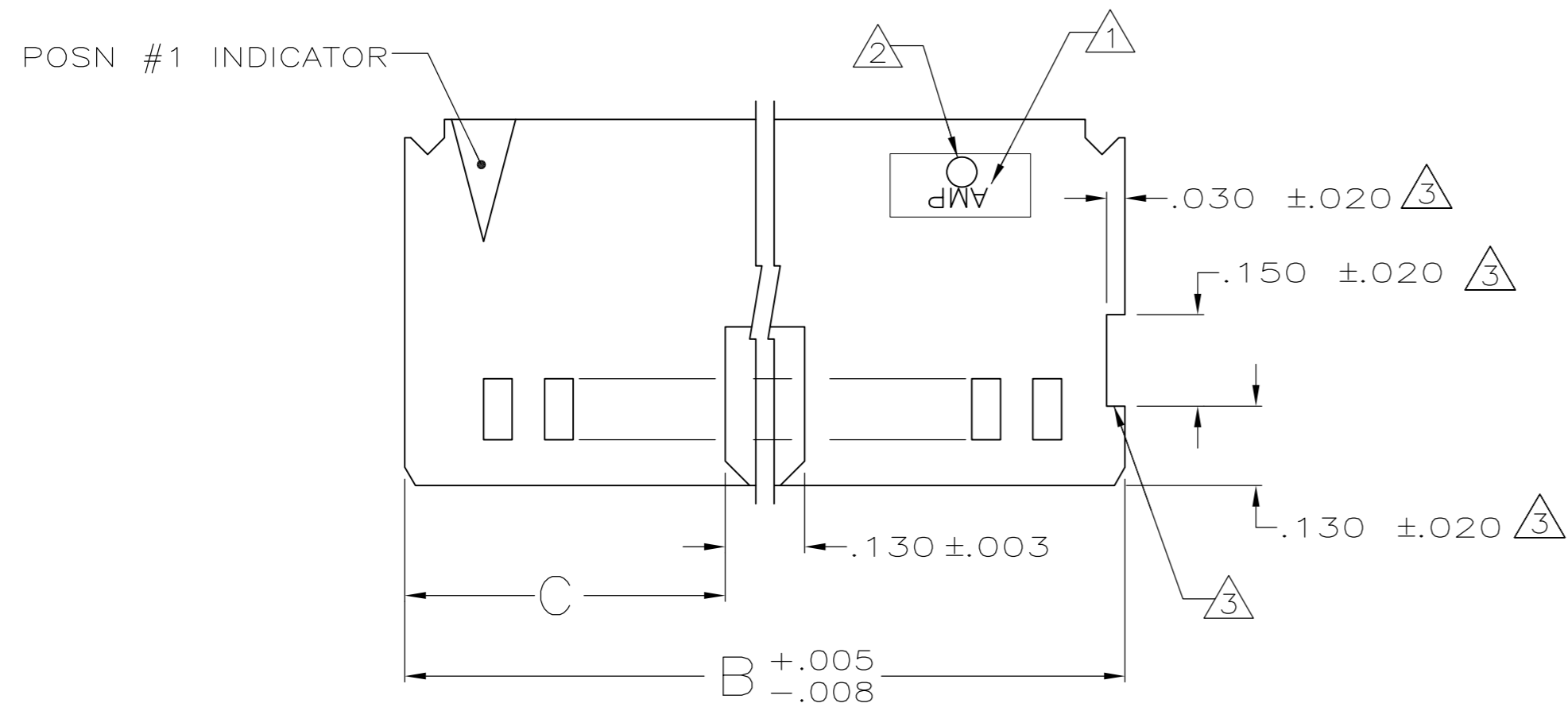
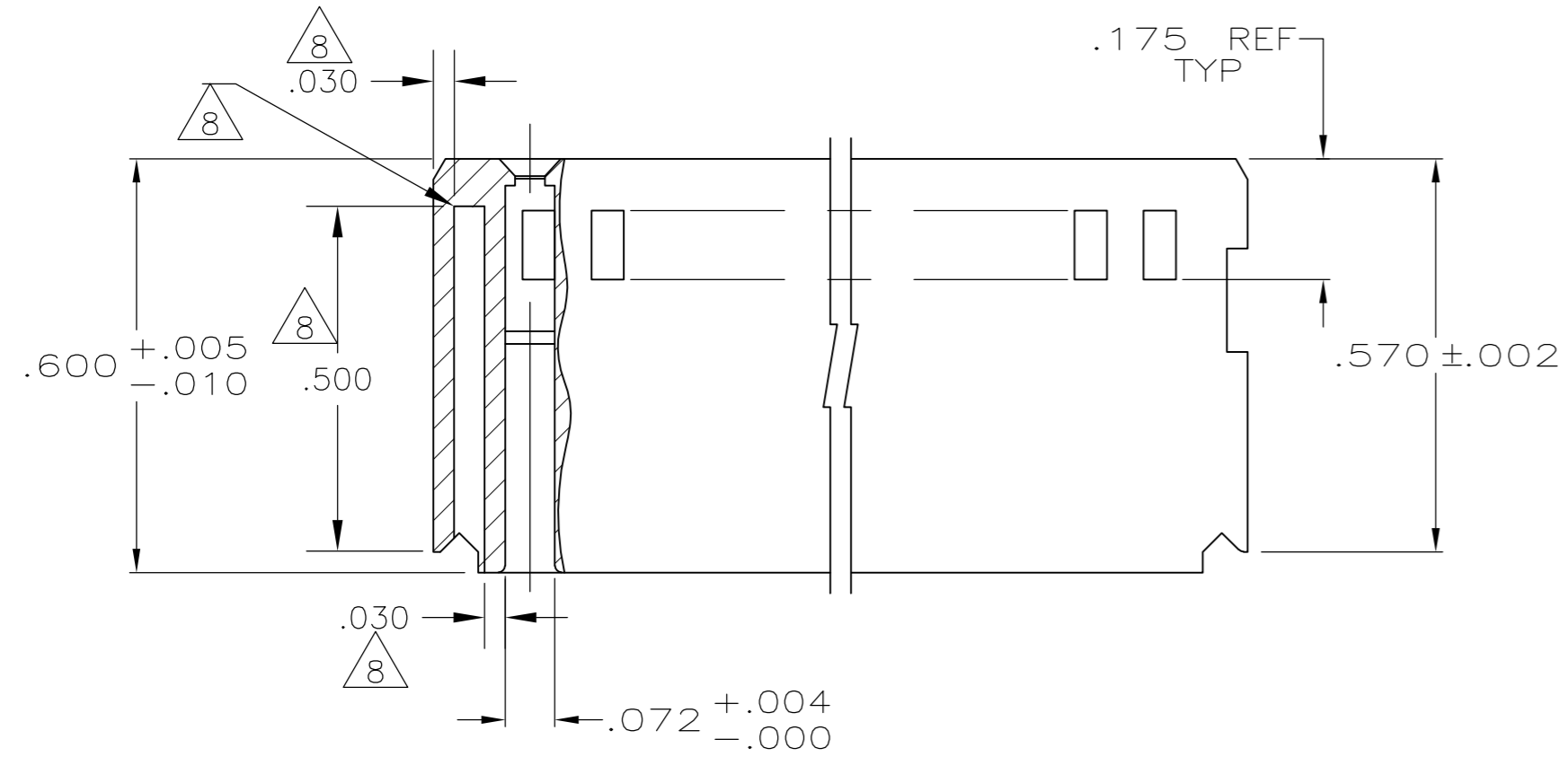
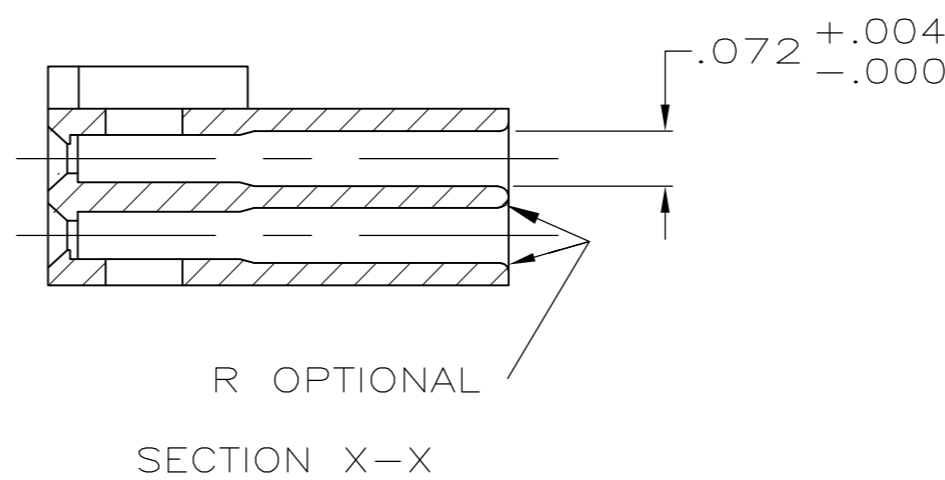
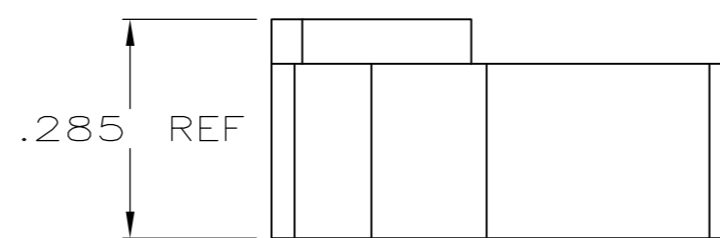
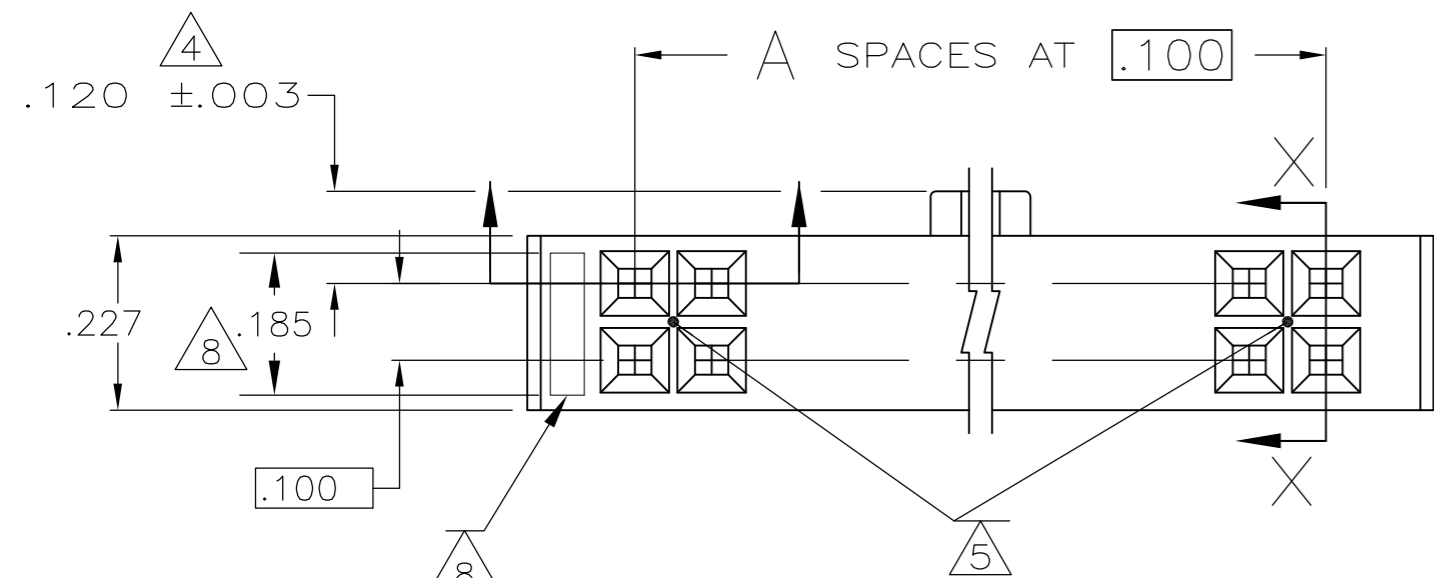


THIS DRAWING IS UNPUBLISHED. RELEASED FOR PUBLICATION
 © COPYRIGHT - By - ALL RIGHTS RESERVED.

LOC		DIST		REVISIONS			
P	LTR	DESCRIPTION		DATE	DWN	APVD	
AD	39	S2	REVISED PER ECO-11-010839	25MAY11	RK	HMR	



- 1 AMP TRADEMARK (MOLDED IN) .062±015 HIGH CHARACTERS LOCATED APPROX AS SHOWN
- 2 MOLD CAVITY IDENT (MOLDED IN) .046±015 HIGH CHARACTERS LOCATED APPROX AS SHOWN
- 3 RECESSED AREA AROUND MOLD GATE IS OPTIONAL. THIS FEATURE IS ALLOWABLE ON EITHER SIDE OF HOUSING OR MAY NOT BE PRESENT AT ALL.
- 4 COORDINATE DIMENSION APPLIES FROM CENTER OF FIRST ACTUAL FEATURE
- 5 RECESSED AREA AROUND GATE PERMISSIBLE. THIS FEATURE IS ALONG CENTERLINE OF MATING FACE.
- 6. WHEN MATING WITH AMP-LATCH UNIVERSAL HEADERS, P/N 1825851-1 MUST BE USED. PURCHASE SEPARATELY WITH HEADER- 2 REQUIRED.
- 7 OBSOLETE PARTS: OBSOLETE CIS STREAMLINING PER D.RENAUD/D.SINISI
- 8 VOID CORING IS OPTIONAL, AT MOLDER'S DISCRETION.



SIZE	CAGE CODE	DRAWING NO	RESTRICTED TO
7	00779	C=102387	-
C	B	A	NO. OF POSN
			PART NO.

THIS DRAWING IS A CONTROLLED DOCUMENT.		DWN	5-17-89	TE TE Connectivity	
DIMENSIONS: INCHES		CHK	6-13-89		
TOLERANCES UNLESS OTHERWISE SPECIFIED:		NAME		HOUSING, CRIMP SNAP-IN, SHORT ENTRY, MOD IV	
0 PLC ± -	PRODUCT SPEC	APVD		SIZE	CAGE CODE
1 PLC ± -	APPLICATION SPEC	WEIGHT		A2	00779
2 PLC ± -	FINISH	CUSTOMER DRAWING		SCALE	SHEET
3 PLC ± .005		SCALE 4:1		1	1
4 PLC ± -		SHEET 1 of 1		REV	S2
ANGLES ± -					
MATERIAL FLAME RETARDANT THERMOPLASTIC COLOR: BLACK PER ASTM D4066					

Mouser Electronics

Authorized Distributor

Click to View Pricing, Inventory, Delivery & Lifecycle Information:

[TE Connectivity:](#)

[102387-6](#)