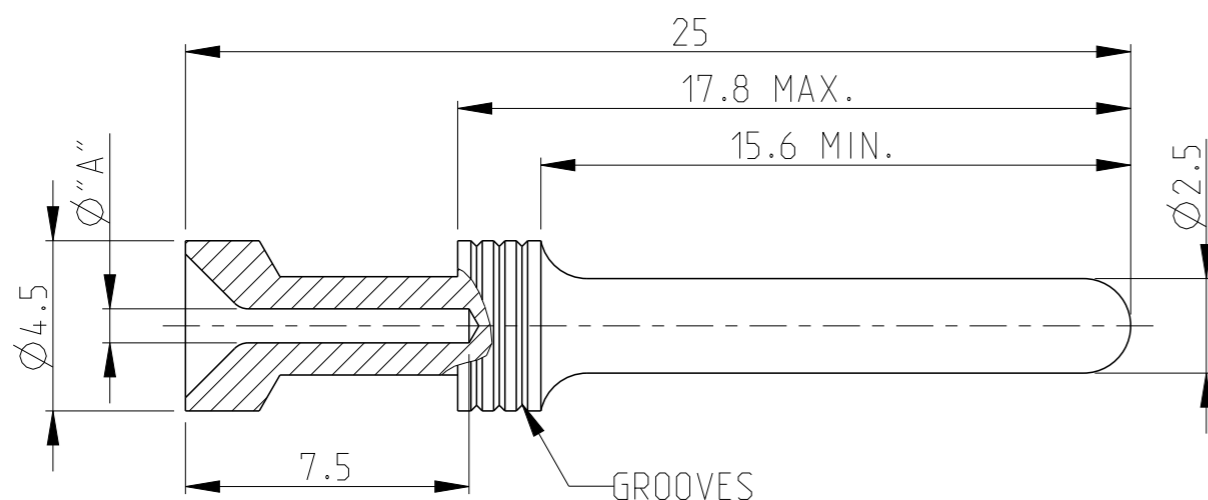


LOC
A1

DIST
-

REVISIONS

| P | LTR | DESCRIPTION | DATE | DWN | APVD |
|---|-----|---------------|-----------|-----|------|
| | J4 | ECO-11-005294 | 27APR11 | RK | HMR |
| | J5 | ECR-15-003938 | 26MAR2015 | RK | MKO |




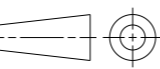
Notes

- 1 MATERIAL: BRASS
- 2 FINISH SILVER PLATING: 2 µm Ag MIN. OVER Cu
- 3 FINISH GOLD PLATING: 0.75 µm Au MIN. OVER Ni
- 4 FINISH TIN PLATING: 0.6 µm Sn MIN. OVER Cu
- 5 VENTILATION HOLE PRESENT ON AL PARTS
- 6 WEIGHT: 1.35 g, PER PIECE (APPROX.)
- 7 PACKAGING: 50 PIECES IN POLYBAG
- 8 PACKAGING: 500 PIECES IN POLYBAG & CARTON
- 9 PACKAGING: 5000 PIECES IN POLYBAG & CARTON
- 10 PACKAGING: 20000 PIECES IN POLYBAGS & CARTONS
- 11 SUITABLE SOCKET CONTACT: CUSTOMER DRAWING 1105101
- 12 SUITABLE INSERTS: SERIES HA, HE, HVE, HVS, CUSTOMER DRAWING
- 13 SUITABLE CRIMP TOOL: PN 1-1105851-8
- 14 SUITABLE INSERTION TOOL: PN 0-1102855-6
- 15 SUITABLE EXTRACTION TOOL: PN 0-1102855-7
- 16 STANDARDS: DIN EN 61984, DIN EN 60664-1

17 OBSOLETE

| HE/HA-C-Sti.Sn | CROSS SECTION | TIN | 4.0 | 2.8 | - | - | 5-0 | - | 5-3 |
|---|---------------|---------------|--------------------|----------|----------------|---------|----------|-----------|------------|
| HE/HA-C-Sti.Sn 2,5mm ² | | | 2.5 | 2.2 | 3 | - | 4-0 | - | 4-3 |
| HE/HA-C-Sti.Sn 1,5mm ² | | | 1.5 | 1.7 | 2 | - | 3-0 | - | 3-3 |
| HE/HA-C-Sti.Au 4,0mm ² | | | 4.0 | 2.8 | - | 5-2 | 5-9 | - | - |
| HE/HA-C-Sti.Au 2,5mm ² | | | 2.5 | 2.2 | 3 | 4-2 | 4-9 | - | - |
| HE/HA-C-Sti.Au 1,5mm ² | | | 1.5 | 1.7 | 2 | 3-2 | 3-9 | - | - |
| HE/HA-C-Sti.Au 0,75-1,0mm ² | | | 0.75-1.0 | 1.4 | 1 | 2-2 | 2-9 | - | - |
| HE/HA-C-Sti.Au 0,5mm ² | | | 0.5 | 1.1 | - | 1-2 | 1-9 | - | - |
| HE/HA-C-Sti.Au 0,14-0,37mm ² | | | 0.14-0.37 | 0.9 | 3 | 6-2 | 6-9 | - | - |
| HE/HA-C-Sti.Ag 4,0mm ² | | | 4.0 | 2.8 | - | 5-1 | 5-8 | - | - |
| HE/HA-C-Sti.Ag 2,5mm ² | | | 2.5 | 2.2 | 3 | 4-1 | 4-8 | 7-1 | - |
| HE/HA-C-Sti.Ag 1,5mm ² | | | 1.5 | 1.7 | 2 | 3-1 | 3-8 | - | - |
| HE/HA-C-Sti.Ag 0,75-1,0mm ² | | | 0.75-1.0 | 1.4 | 1 | 2-1 | 2-8 | - | - |
| HE/HA-C-Sti.Ag 0,5mm ² | | | 0.5 | 1.1 | - | 1-1 | 1-8 | - | - |
| HE/HA-C-Sti.Ag 0,14-0,37mm ² | | | 0.14-0.37 | 0.9 | 3 | 6-1 | 6-8 | - | - |
| | | | [MM ²] | "A" | NO.OF GROOVES | P.U.=50 | P.U.=500 | P.U.=5000 | P.U.=20000 |
| ORDERING TEXT | PLATING | CROSS SECTION | DIMS | MARKINGS | PACKAGING UNIT | | | | |

PARTS LIST

| | | | | |
|---|--|-----------------------------------|---|--------------------|
| THIS DRAWING IS A CONTROLLED DOCUMENT. | | DWN H.BRAUN 21Apr2010 |  TE Connectivity | |
| DIMENSIONS: mm | | CHK - | | |
| TOLERANCES UNLESS OTHERWISE SPECIFIED: | | APVD T.SCHNURPFEL 29AUG2007 | NAME PIN CONTACT SERIES HA, HE, HVE | |
|  | | PRODUCT SPEC 108-74004 | RESTRICTED TO | |
| 0 PLC ±- 1 PLC ±- 2 PLC ±- 3 PLC ±- 4 PLC ±- ANGLES ±0.5° | | APPLICATION SPEC 114-74003 | SIZE A3 | CAGE CODE 00779 |
| MATERIAL 1 | | WEIGHT - | DRAWING NO C=1105100 | |
| FINISH 2 3 4 | | Customer Drawing | | SCALE 5:1 |
| | | SHEET 1 OF 1 | | REV J5 |

Mouser Electronics

Authorized Distributor

Click to View Pricing, Inventory, Delivery & Lifecycle Information:

[TE Connectivity:](#)

[2-1105100-1](#)