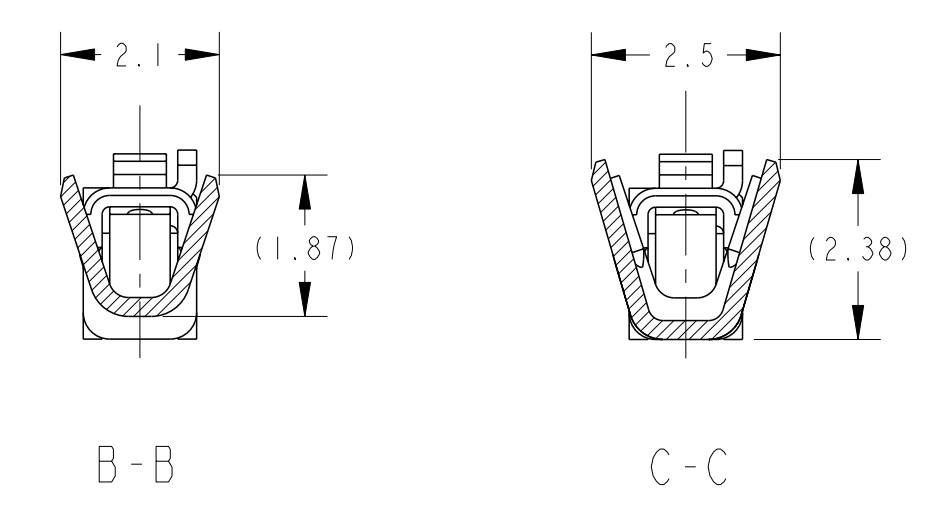
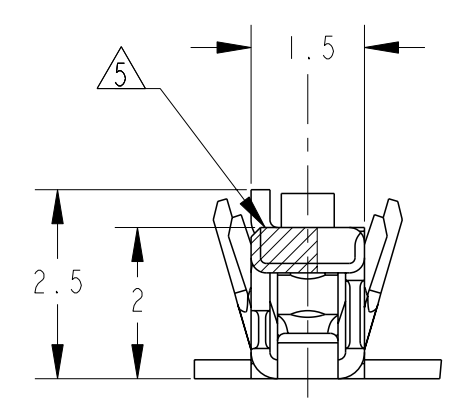
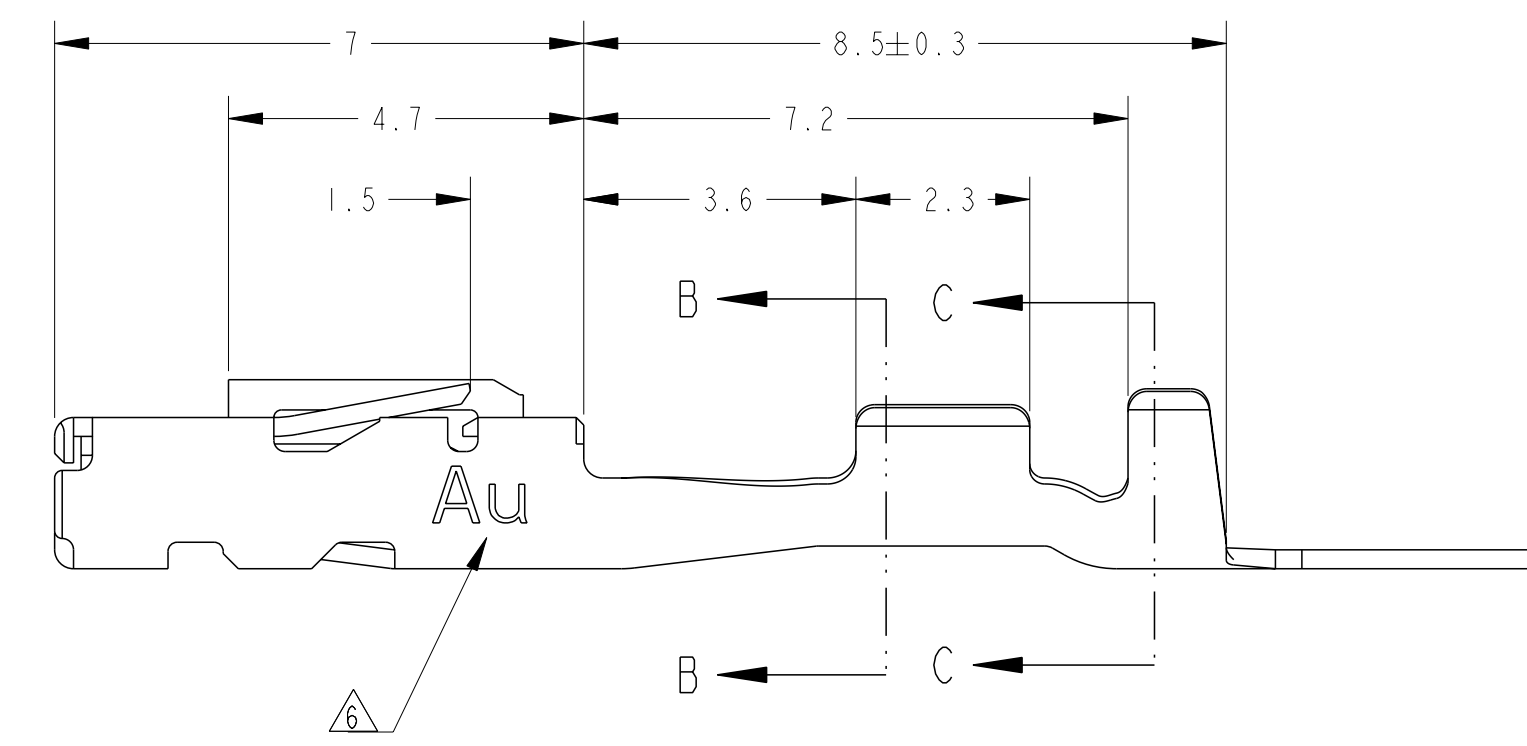
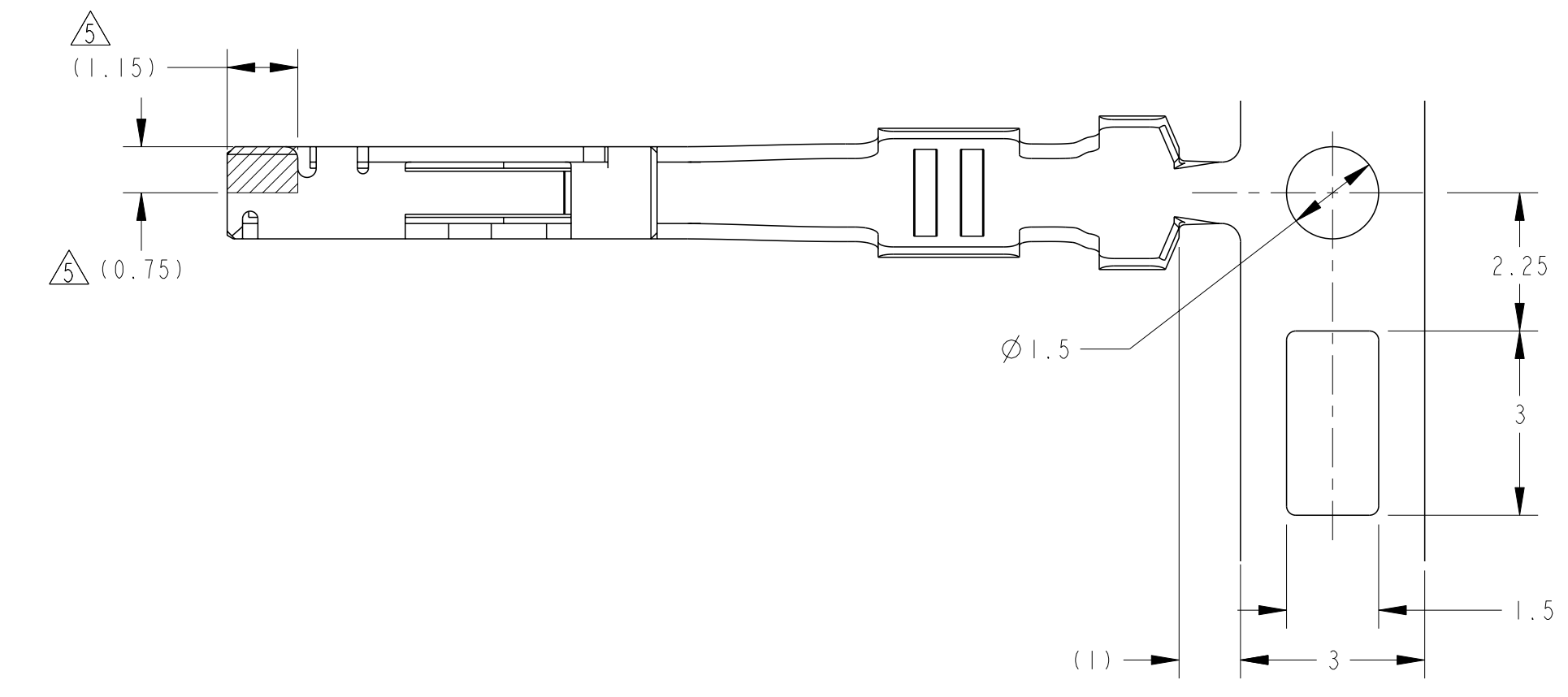
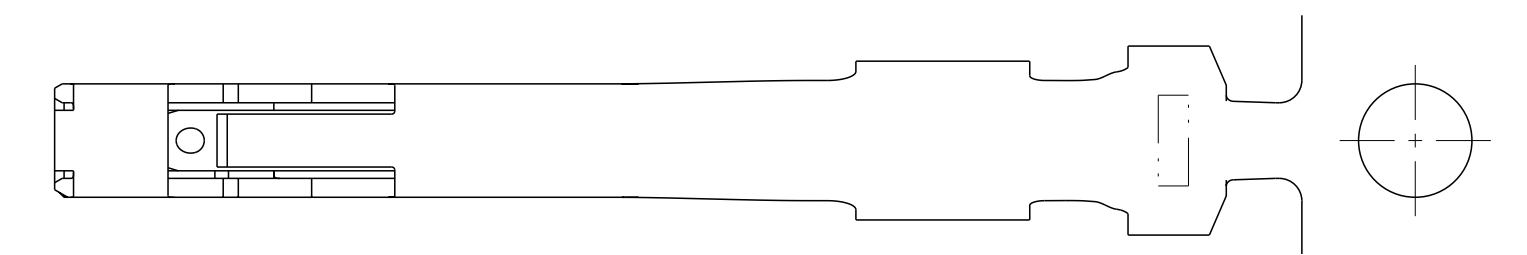


THIS DRAWING IS UNPUBLISHED. RELEASED FOR PUBLICATION JUN. 2011  
 © COPYRIGHT 2011 Tyco Electronics Japan G.K. ALL RIGHTS RESERVED.

LOC		REVIS		REVISIONS			
J		X		DATE	DWN	APVD	
P	LTR	DESCRIPTION		DATE	DWN	APVD	
P		REVISED PER ECO-11-005140		02APR2011	RK	HMR	
PI		REVISED ECR-11-007131		14JUN11	RK	HY	
R		REVISED ECR-15-013494		18SEP2015	KK	RK	



1. 適用電線:  
 AVSS, AVSSH-f 0.3-0.5mm<sup>2</sup>  
 CAVS, CAVUS 0.22-0.5mm<sup>2</sup>  
 2. 取付適用規格; 114-5250  
 3. アプリケータ送りピッチ; 7.5mm  
 4. パラ端子型番;  
 PRE-TIN; 1318143-1  
 SELECTIVE GOLD; 1318143-2
- △ 識別用金めっき範囲を示す。  
 △ 識別用刻印
1. APPLICABLE WIRE RANGE ;  
 AVSS, AVSSH-f 0.3-0.5mm<sup>2</sup>  
 CAVS, CAVUS 0.22-0.5mm<sup>2</sup>  
 2. APPLICATION SPEC ; 114-5250  
 3. APPLICATOR FEED; 7.5mm.  
 4. P/N OF LOOSE PIECE;  
 PRE-TIN; 1318143-1  
 SELECTIVE GOLD; 1318143-2
- △ GOLD PLATED AREA FOR DISCRIMINATION.  
 △ MARKING FOR IDENTIFICATION.



SEE DRAWING 1123343-7	1123343-7
OBSOLETE	1123343-5
△△ SELECTIVE GOLD	1123343-2
PRE-TIN	1123343-1
FINISH	PART NO.

WIRE RANGE 総合電線範囲	0.22-0.56mm <sup>2</sup>	INSULATION DIA 被覆外径	Ø0.95-1.7
TE Connectivity		NAME 名称	
		025 RECEPTACLE CONTACT 025 RECEPTACLE CONTACT	
SIZE	CAGE CODE	DRAWING NO	RESTRICTED TO
A2	00779	C-1123343	
Customer Drawing			SCALE 10:1 SHEET 1 OF 1 REV R

THIS DRAWING IS A CONTROLLED DOCUMENT.		DWN H. YAMAGAMI	25JAN99
DIMENSIONS: 単位: 概 mm		CHK T. KOHNO	25JAN99
TOLERANCES UNLESS OTHERWISE SPECIFIED: 一般公差 = ± 0.2		APVD N. SAI	25JAN99
0-PLC ±		PRODUCT SPEC	
1-PLC ±0.1		APPLICATION SPEC	
2-PLC ±0.15		取付適用規格	
3-PLC ±0.001		114-5250	
4-PLC ±0.0001		WEIGHT	
ANGLES ±3°00'		0.2g	
FINISH 仕上		SEE TABLE	
MATERIAL 材料		COPPER ALLOY	