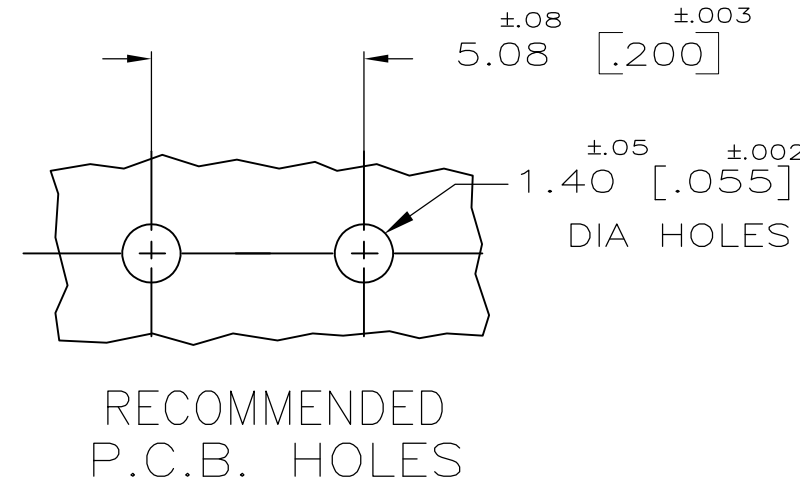
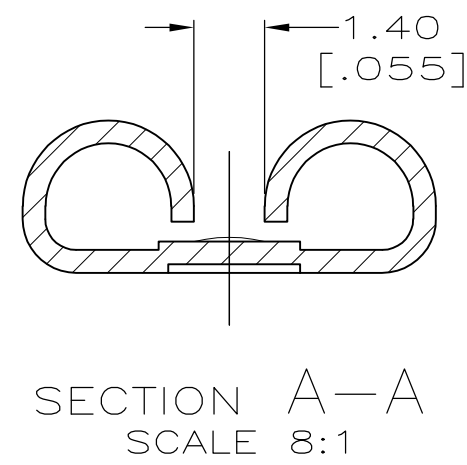
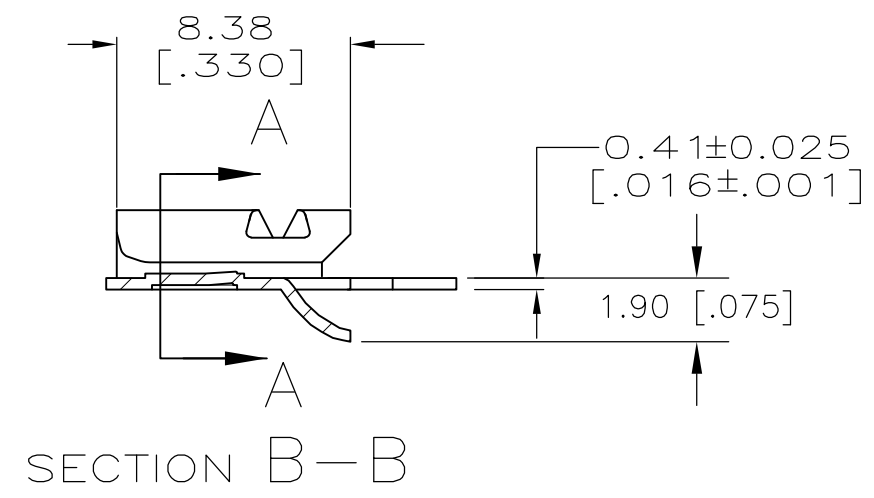
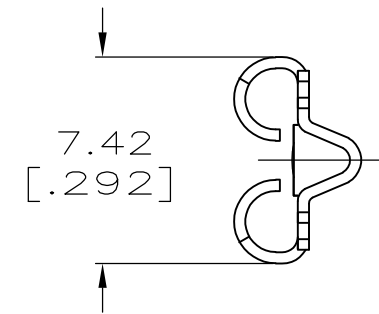
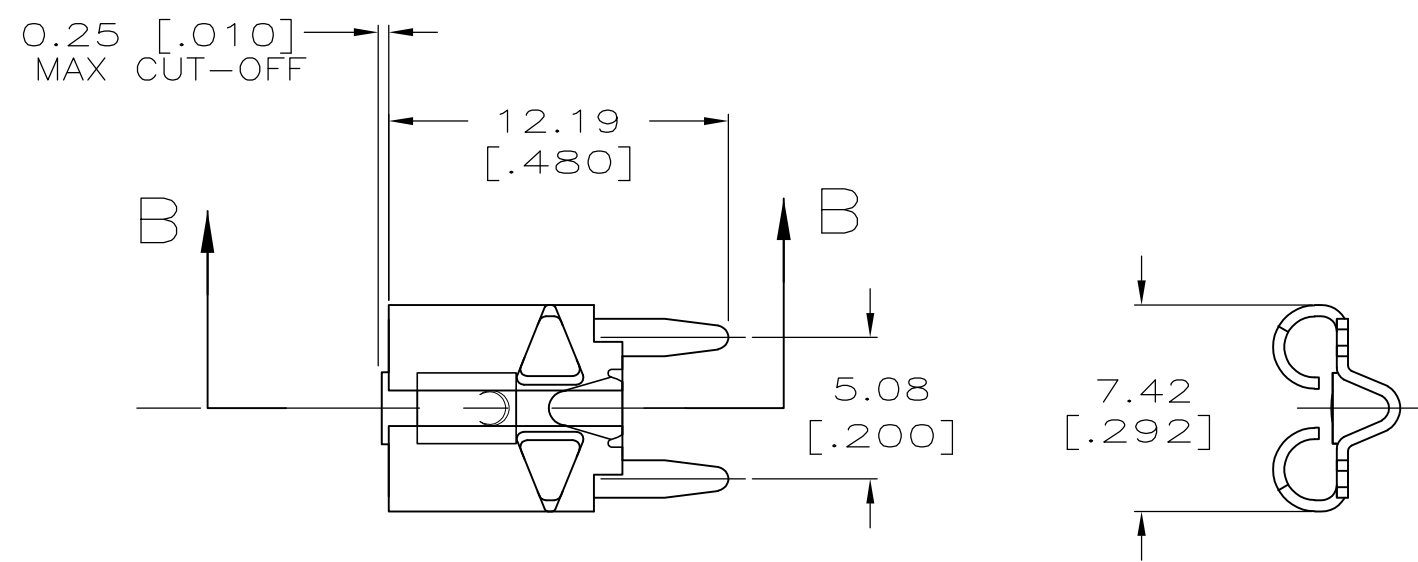


THIS DRAWING IS UNPUBLISHED. RELEASED FOR PUBLICATION -,-  
 © COPYRIGHT - By - ALL RIGHTS RESERVED.

LOC		DIST		REVISIONS					
AF		50		P	LTR	DESCRIPTION	DATE	DWN	APVD
					B1	REVISED PER ECO-11-005027	12MAR11	RK	HMR

- 1 SUPPLIED IN LOOSE PIECE FORM.
- 2 0.00254 [.000100] MIN THK TIN OVER 0.00254 [.000100] MIN THK COPPER, OR OVER 0.00127 [.000050] MIN NICKEL.
- 3 MATING TAB THK IS 0.81±0.025 [.032±.001].



1217080-1  
PART NO.

THIS DRAWING IS A CONTROLLED DOCUMENT.		DWN	JR RUTH	3/30/98	TE Connectivity NAME RECEPTACLE, FASTON, 6.35/5.21 [.250/.205] SERIES, PC BOARD MOUNTED
DIMENSIONS: mm[INCHES]		CHK	MS FEHER	3/30/98	
TOLERANCES UNLESS OTHERWISE SPECIFIED:		APVD	D BRATINA	3/30/98	
0 PLC ± - 1 PLC ± - 2 PLC ± 0.25 [.010] 3 PLC ± - 4 PLC ± - ANGLES ± -		PRODUCT SPEC			
MATERIAL	H04 BRASS	FINISH	-		APPLICATION SPEC - WEIGHT -
		CUSTOMER DRAWING			SIZE A3
					CAGE CODE 00779
					DRAWING NO C-1217080
					RESTRICTED TO -
					SCALE 4:1
					SHEET 1 OF 1
					REV B1