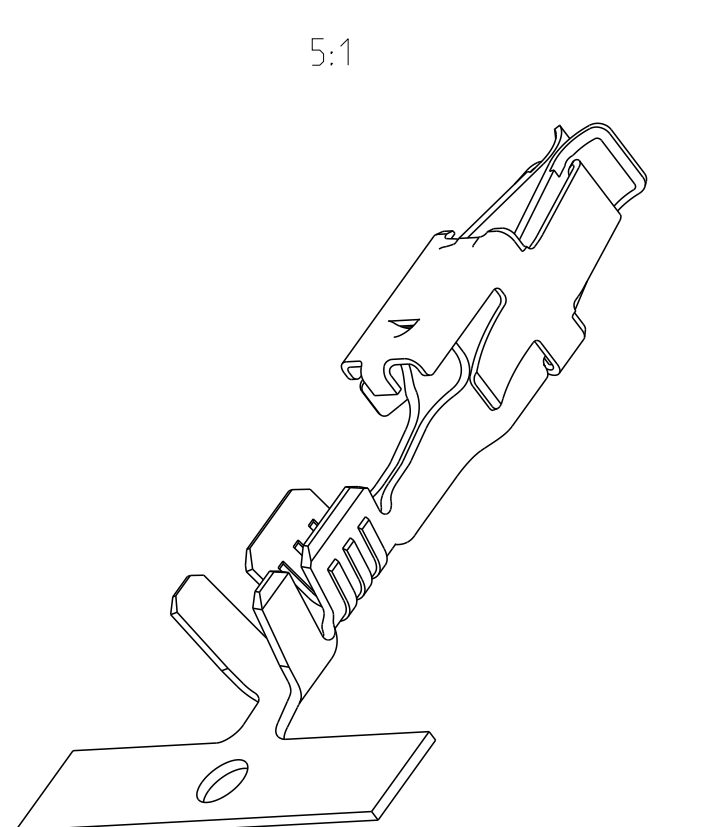
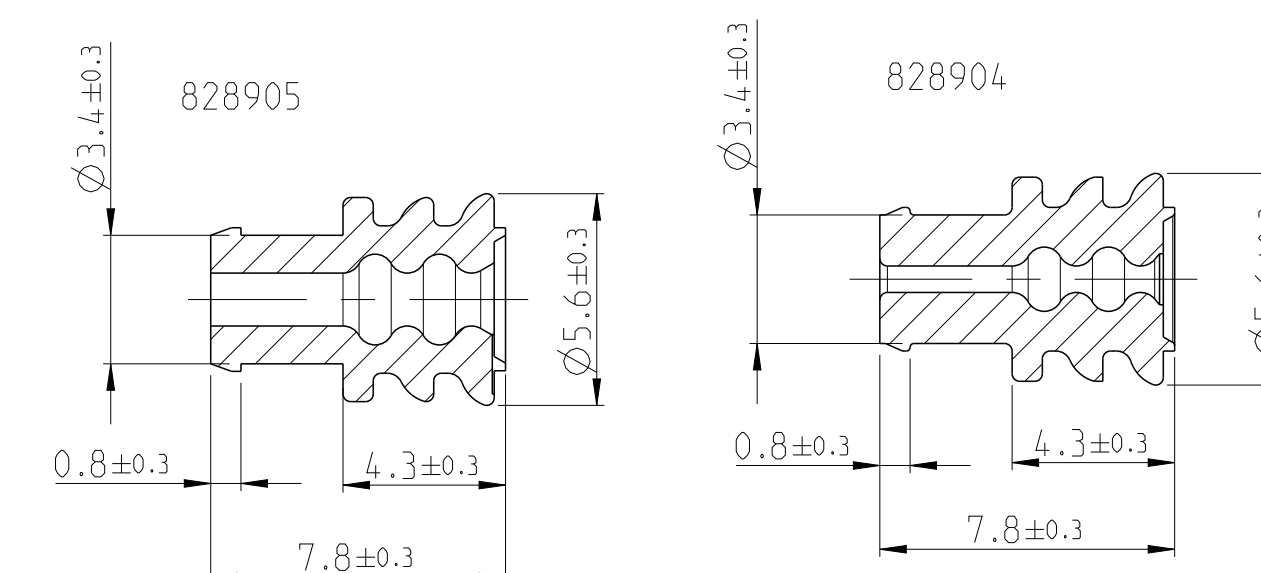


NOTES

- Bemerkungen
CONTACT BODY PRE-SILVER PLATED MIN. 0.8µm
CONTACT ZONE SELECTIVE PRE-SILVER PLATED MIN. 3µm
CONTACT ZONE GOLD PLATED MIN. 0.8µm OVER MIN. 1.3µm NICKEL-LAYER
CANTILEVER SPRING INSIDE AND OUTSIDE 0.4-1.2µm GOLD PLATED
CONTACT BODY, CONTACT SPRING INSIDE AND CRIMP AREA MIN. 1µm TIN PLATED OVER NICKEL-LAYER. TOUCHING AREA TO CANTILEVER SPRING AND CONTACT SPRING OUTSIDE SELECTIVE 0.8µm GOLD OVER MIN. 1.3µm NICKEL-LAYER
CONTACT ZONE AND TOUCHING AREA TO CANTILEVER SPRING MIN. 0.8µm SELECTIVE GOLD PLATED OVER 1.3µm NICKEL PLATED. CRIMP AREA MIN. 1µm TIN PLATED OVER NICKEL-LAYER
CONTACT BODY AND CRIMP AREA MIN. 1µm TIN PLATED OVER NICKEL-LAYER. TOUCHING AREA TO CANTILEVER SPRING SELECTIVE 0.8µm GOLD OVER MIN. 1.3µm NICKEL-LAYER
CONTACT OFF OPTIONAL
SAWAG ONLY FOR PN 929937, 929939, 929941
VARIANTS WITH GAP-SIZE 0.3mm (±0.1)
CONTACTS DIPPED IN OR SPRAYED WITH LUBRICANT BARRIERTA
ACCORDING INSULATION DIA IS TO CHOOSE THE SINGLE WIRE SEAL
VARIANTS WITH GAP-SIZE 0.65mm (-0.1)
VARIANTS WITH GAP-SIZE 0.15mm (-0.05)

Table with 3 columns: ORDER No./Bestell-Nr., INSULATION Ø/Isolations, COLOUR/Farbe. Rows include 828904-1 (blue/white), 828905-1 (white).



Main specification table with columns: REV., DESIGN, MATERIAL, SURFACE, WIRE RANGE, INSULATION, STRIP FORM, WIRE CRIMP, INSUL-CRIMP, A, B, C, D, E, CRIMP DATA AND CRIMP TOOL. Rows list various part numbers like 965901-1, 965899-1, 928876-1, etc.

SEE APPLICATION - SPECIFICATION Seite Verarbeitungspezifikation 114-18050

Product information block including dimensions, drawing title 'PRODUCT GROUP DRAWING FOR JUNIOR POWER TIMER CONTACT', drawing no. 114-18050, and revision table.

Mouser Electronics

Authorized Distributor

Click to View Pricing, Inventory, Delivery & Lifecycle Information:

[TE Connectivity:](#)

[927775-1](#)