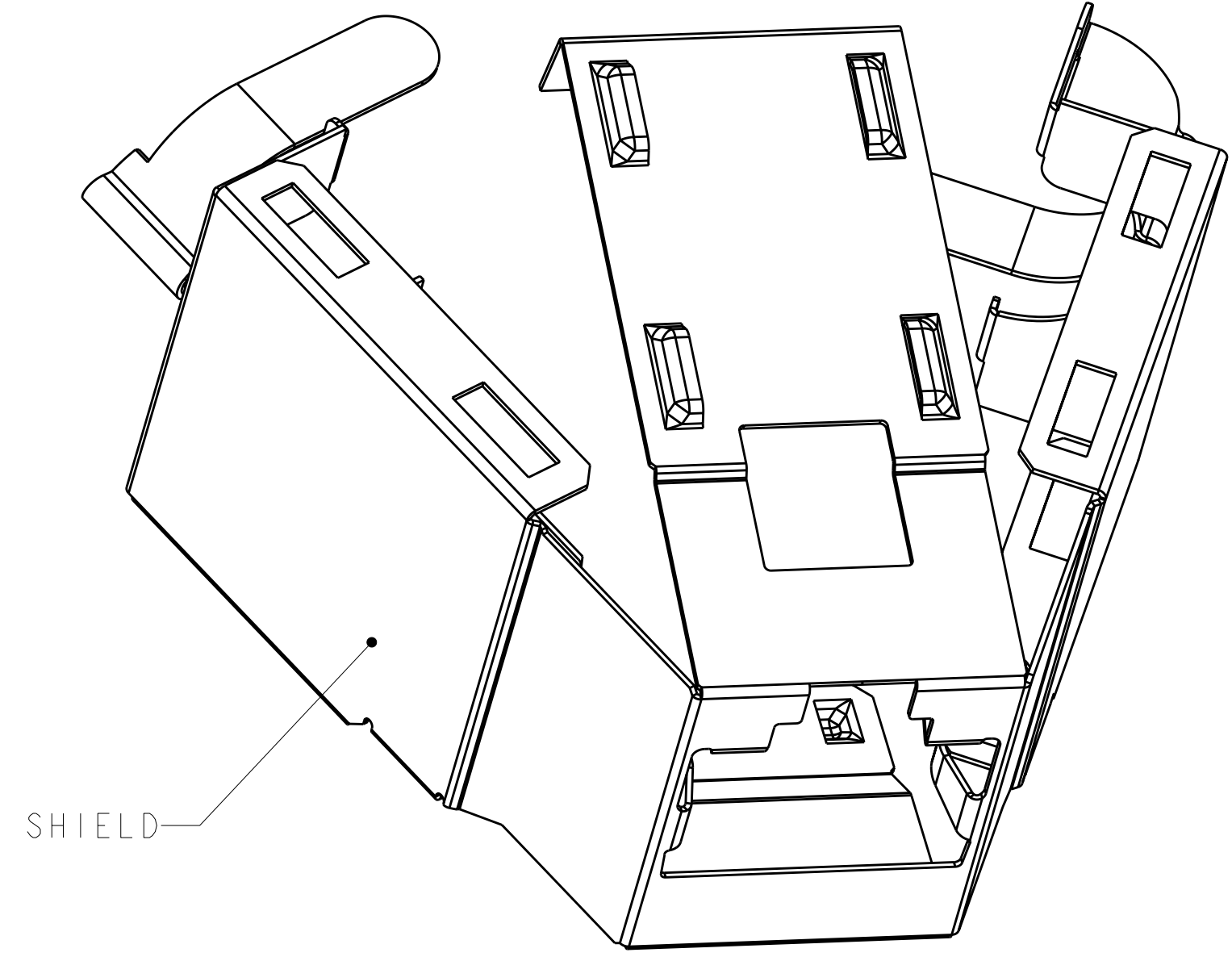
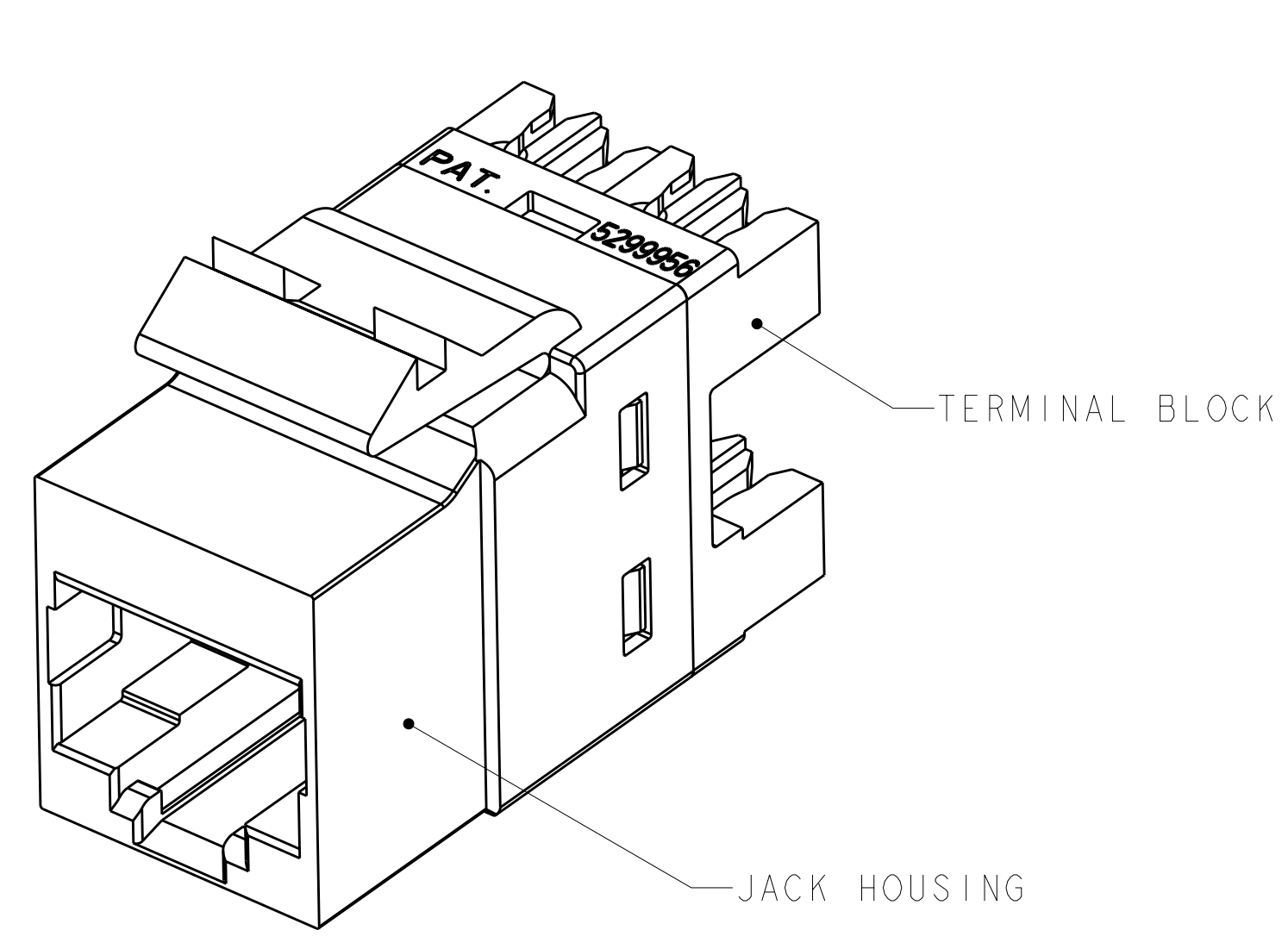
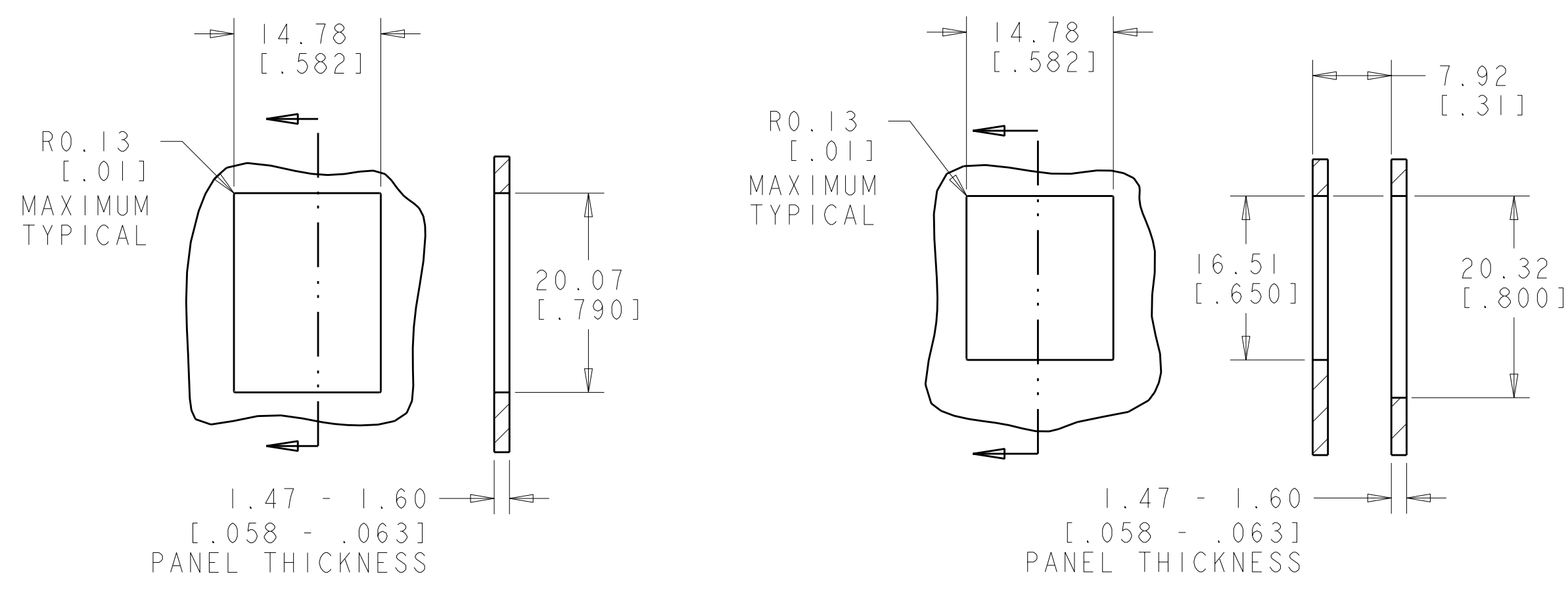
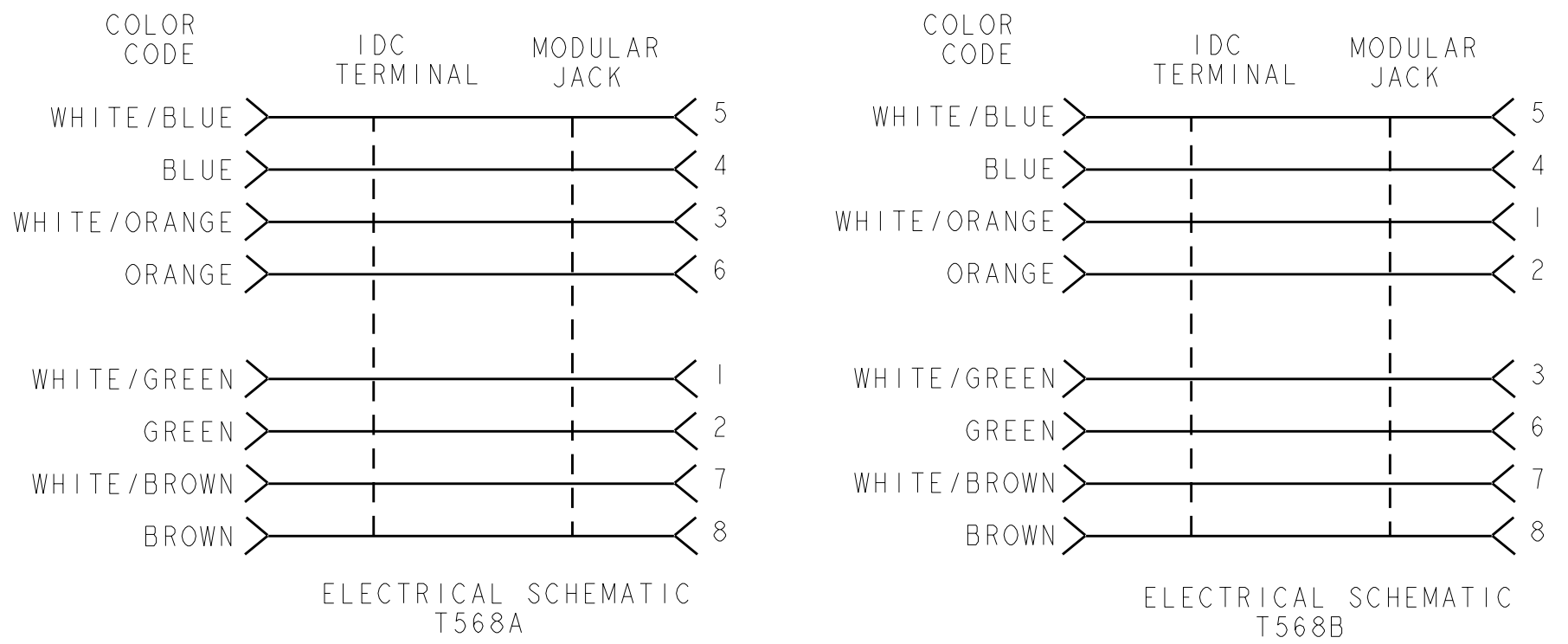
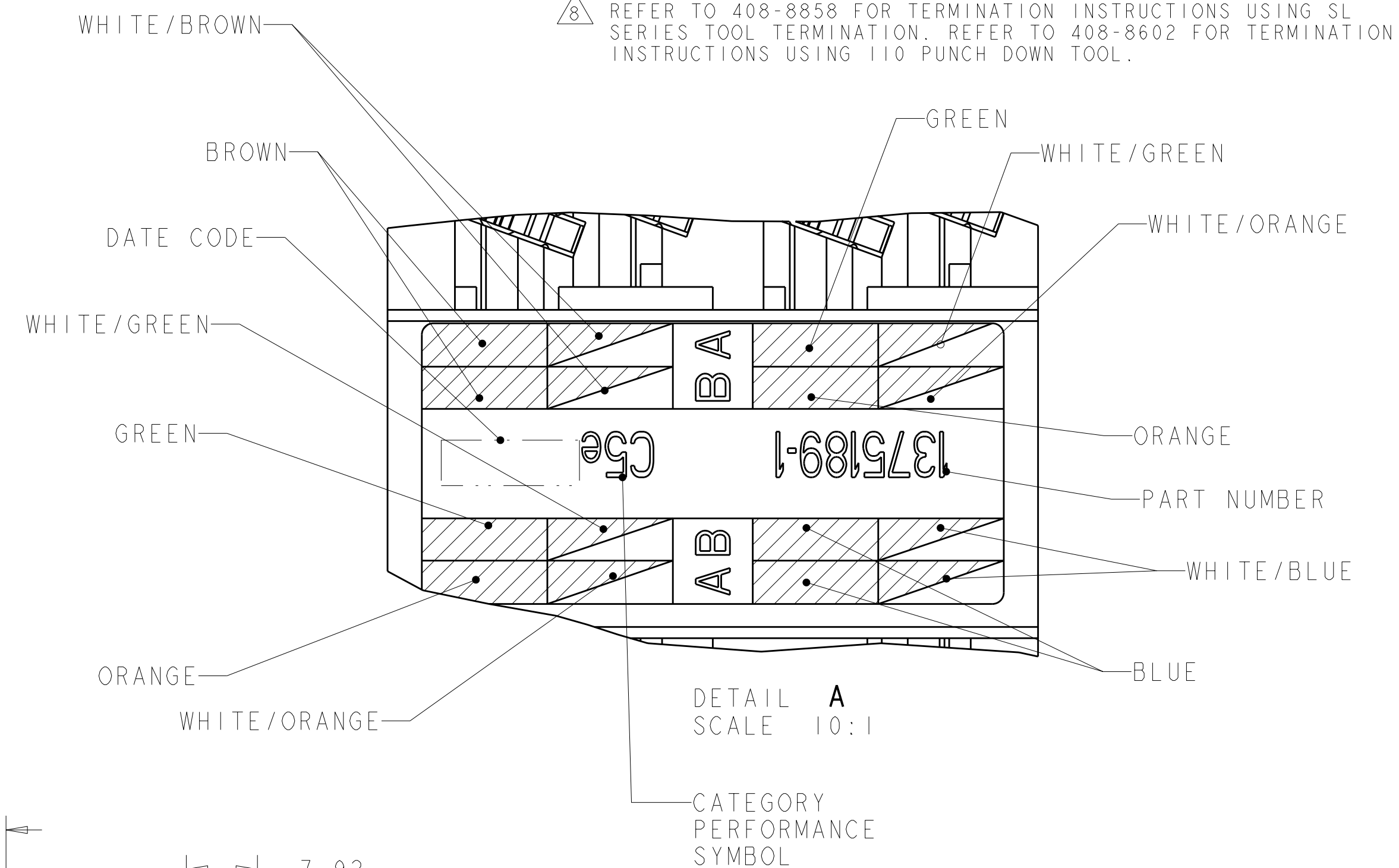
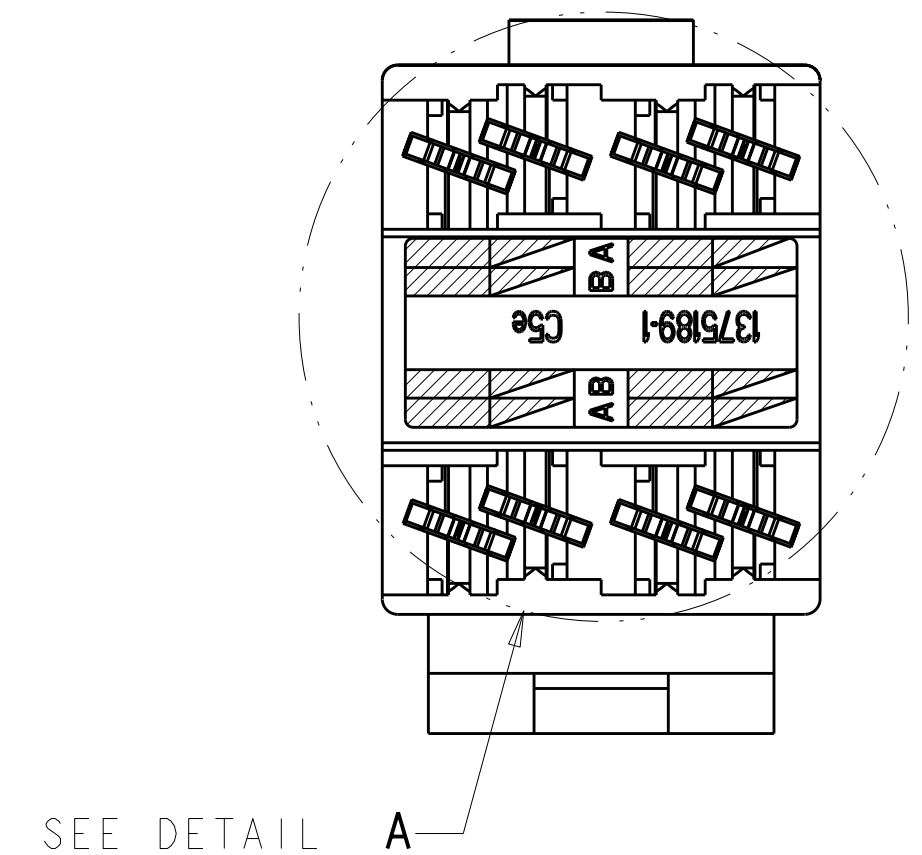
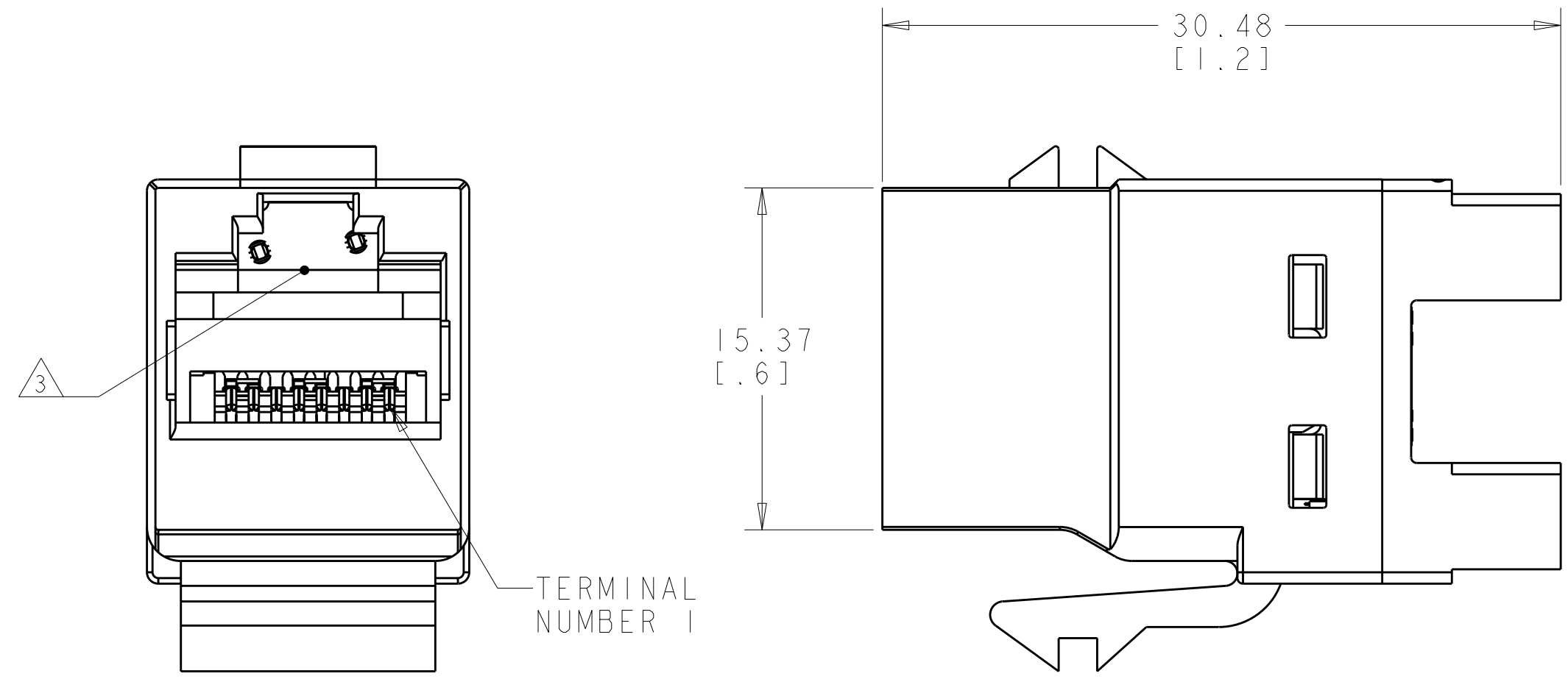


LOC	DIST	REV	DATE	DWN	APVD
HM	00	H	06SEP2011	JB	SA



1. MATERIAL: JACK HOUSING - POLYCARBONATE, 94V-0 RATED.  
 110 BLOCK - POLYCARBONATE.  
 ARRAY TRAY - PBT POLYESTER.  
 JACK CONTACTS ARRAY - BERYLLIUM COPPER, PLATED WITH  
 1.27µm [ .000050] MINIMUM THICK GOLD IN LOCALIZED  
 AREA AND 3.81µm [ .000150] MINIMUM THICK MATTE TIN IN  
 BOARD INTERFACE AREA OVER 1.27µm [ .000050] MINIMUM THICK  
 NICKEL UNDERPLATE.  
 SHIELD - COPPER ZINC ALLOY 260 PREPLATED  
 WITH BRIGHT NICKEL.  
 IDC TERMINALS - PHOSPHOROUS BRONZE, PLATED WITH  
 3.81µm [ .00015] MINIMUM THICK BRIGHT MATTE TIN OVER  
 1.27µm [ .00005] MINIMUM THICK NICKEL UNDERPLATE.  
 SHIELD: COPPER ZINC ALLOY 260 PREPLATED  
 WITH BRIGHT NICKEL.
2. SL 110 JACK WILL TERMINATE 22-24 AWG SOLID AND 24-26 AWG  
 STRANDED CONDUCTORS, 1.27[ .050] MAXIMUM INSULATION DIAMETER.  
 JACK WILL ACCEPT CONDUCTORS UP TO 1.45 [ .057] BUT REQUIRE  
 THE USE OF A STRAIN RELIEF.
3. CAVITY CONFORMS TO FCC RULES AND REGULATIONS  
 PART 68 SUBPART F REQUIREMENTS.
4. MOUNTING PANEL THICKNESS 1.47 - 1.60 [ .058 - .063].
5. THESE TWO SUGGESTED CUTOUT OPENINGS ARE USED  
 IN TANDEM WITH DUAL FRONT AND BACK CUTOUTS.
6. ONE MODULAR JACK ASSEMBLY AND ONE SHIELD  
 PER POLYBAG.
7. SHIELD SHIPPED NOT ASSEMBLED.
8. REFER TO 408-8858 FOR TERMINATION INSTRUCTIONS USING SL  
 SERIES TOOL TERMINATION. REFER TO 408-8602 FOR TERMINATION  
 INSTRUCTIONS USING 110 PUNCH DOWN TOOL.



6	BLACK	1375189-1
PACKAGE	HOUSING COLOR	PART NUMBER

THIS DRAWING IS A CONTROLLED DOCUMENT.		DWN T. PITTS 05NOV01	TE Connectivity ASSEMBLY, SL 110 JACK, SHIELD, CATEGORY 5c
DIMENSIONS: MM [Inches]		CHK L. SMITH 15NOV01	
TOLERANCES UNLESS OTHERWISE SPECIFIED:		APVD C. DOOLEY 15NOV01	NAME
9 PLC ±		PRODUCT SPEC 108-1990	SIZE CAGE CODE DRAWING NO
3 PLC ±		APPLICATION SPEC 108-1990-2	RESTRICTED TO
5 PLC ±			A100779C=1375189
4 PLC ±			SCALE 4:1 SHEET 1 OF 1 REV H
ANGLES ±			
MATERIAL	FINISH	WEIGHT	CUSTOMER DRAWING

# Mouser Electronics

Authorized Distributor

Click to View Pricing, Inventory, Delivery & Lifecycle Information:

[TE Connectivity:](#)

[1375189-1](#)