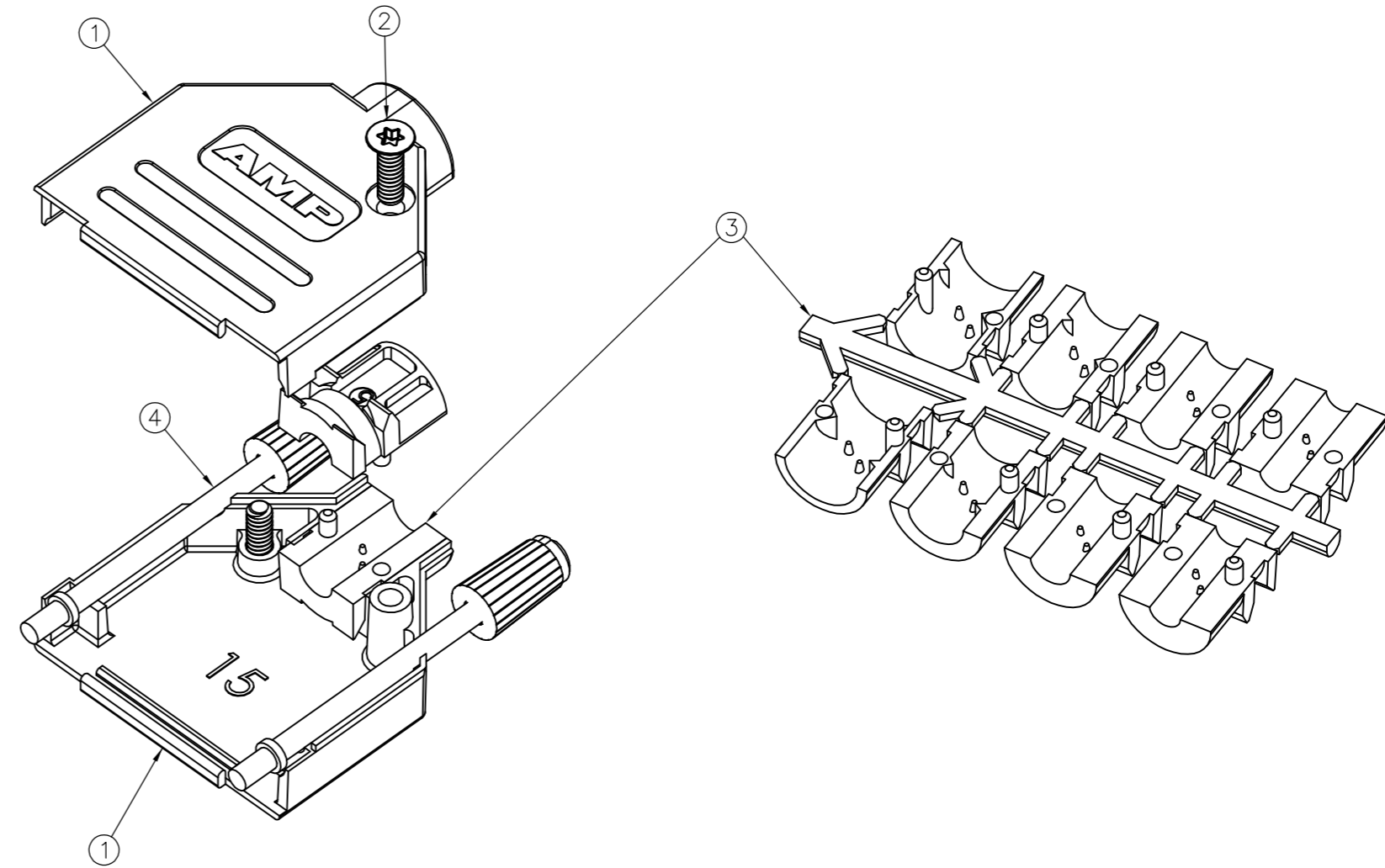
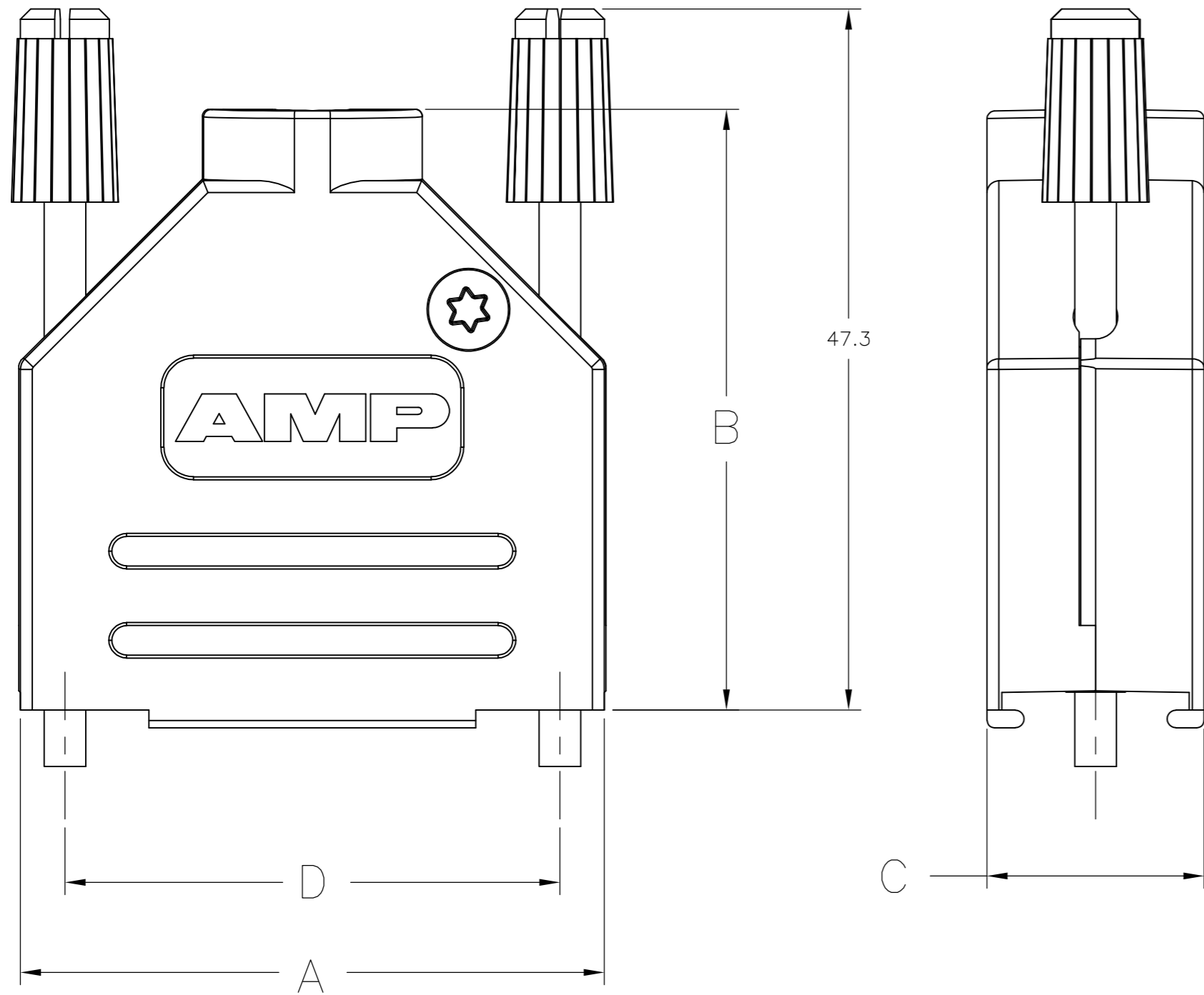


THIS DRAWING IS UNPUBLISHED. RELEASED FOR PUBLICATION JAN , 2012.  
 © COPYRIGHT 2012 By - ALL RIGHTS RESERVED.

LOC	DIST	REVISIONS			
P	LTR	DESCRIPTION	DATE	DWN	APVD
GP	00	M	REVISED PER ECO-13-000397	31JAN2013	CJV CWR



1. FOR ASSEMBLY DETAILS, REFER TO LEAFLET 2227518-1.
2. BULK PACKAGED BACKSHELL ASSEMBLIES:  
ITEM 1, 200 BACKSHELL HALVES, LOOSE IN BOX. ITEMS 2 THRU 4, 100 TIMES QTY SHOWN IN TABLE IN 1 BAG FOR EACH ITEM. ALL BAGS IN 1 BOX WITH (1) 2227518-1 LEAFLET.
3. INDIVIDUALLY PACKAGED SHELL ASSEMBLIES:  
1 BAG CONTAINS ALL COMPONENTS FOR 1 COMPLETE ASSEMBLY. 100 BAGS PER BOX, (1) 2227518-1 LEAFLET PER BOX.
4. TERMINATES 4.0-13.0 CABLE DIAMETERS.
5. 15 POSITION SHOWN.
6. TRIVALENT CHROMIUM CHROMATE COATING OVER ZINC PLATING.
7. OPTIONAL CABLE CRIMP KIT AVAILABLE FOR 6.0-9.5 DIAMETER CABLE. SEE 1478764.

PACKAGING	D	C	B	A	SELF TAPPING FIXING SCREW TYPE	JACKSCREW THREAD	SHELL SIZE	POSITION	PART NUMBER
	47.0	14.6	47.3	53.2	POZIDRIV	M3	3	25 WAY	6-1478762-7
	33.3	14.6	40.5	39.5	POZIDRIV	M3	2	15 WAY	6-1478762-6
OBSOLETE	25.0	14.6	38.3	31.0	POZIDRIV	M3	1	9 WAY	6-1478762-5
	63.5	15.0	52.2	69.7	TORX	4-40 UNC	4	37 WAY	5-1478762-4
	47.0	14.6	47.3	53.2	TORX	4-40 UNC	3	25 WAY	5-1478762-3
	33.3	14.6	40.5	39.5	TORX	4-40 UNC	2	15 WAY	5-1478762-2
	25.0	14.6	38.3	31.0	TORX	4-40 UNC	1	9 WAY	5-1478762-1
	63.5	15.0	52.2	69.7	TORX	4-40 UNC	4	37 WAY	3-1478762-7
	47.0	14.6	47.3	53.2	TORX	4-40 UNC	3	25 WAY	2-1478762-5
	33.3	14.6	40.5	39.5	TORX	4-40 UNC	2	15 WAY	1-1478762-5
	25.0	14.6	38.3	31.0	TORX	4-40 UNC	1	9 WAY	1478762-9

ITEM	DESCRIPTION	MATERIAL	FINISH	QTY
4	JACKSCREW ASSEMBLY, 4-40	POLYAMIDE, UL94 V2 KNOB	BLACK	2
		CARBON STEEL SHAFT	6	
3	STRAIN RELIEF SET	POLYCARBONATE UL94 V0	BLACK	1
2	SELF TAPPING FIXING SCREW	CARBON STEEL	6	2
1	BACKSHELL HALF	ZINC	NICKEL	2

THIS DRAWING IS A CONTROLLED DOCUMENT. DIMENSIONING AND TOLERANCING PER ASME Y14.5M-2009

DWN: C. VALENTINE 03JAN2012  
 CHK: C. ROHDE 03JAN2012  
 APVD: C. ROHDE 03JAN2012

TOLERANCES UNLESS OTHERWISE SPECIFIED:  
 0 PLC ± 0.5  
 1 PLC ± 0.5  
 2 PLC ± 0.5  
 3 PLC ± 0.5  
 4 PLC ± 0.5  
 ANGLES ± 0.5°

MATERIAL: SEE TABLE  
 FINISH: -

TE Connectivity  
 ADK SERIES DIE-CAST BACKSHELL, STRAIGHT ENTRY

SIZE: A2  
 CAGE CODE: 00779  
 DRAWING NO: C=1478762  
 RESTRICTED TO: -

CUSTOMER DRAWING  
 SCALE: NTS  
 SHEET: 1 OF 1  
 REV: M