

TYPICAL SPECIFICATION TABLE				
POSITION	CONTACT SIZE	RATING	NOM INSERTION FORCE	NOM EXTRACTION FORCE
39 - 40	#4	125A/250 VOLTS	3.8Lbs/1.72Kg	3.0Lbs/1.36Kg
7 - 38	#20	5A/250 VOLTS	.2Lbs/.09Kg	.1Lbs/.05Kg
1 - 6	#12	35A/250 VOLTS	2.9Lbs/1.32Kg	1.9Lbs/.86Kg

- 8. REFERENCE ELCON PART NUMBER 241-27-01100.
- 7. SEE DRAWING C-1648156 FOR MATING SOCKET CONNECTOR.
- 6. ITEMS PROVIDED TO THIS SPECIFICATION TO BE PERMANENTLY IDENTIFIED PER THE FOLLOWING IDENTIFIER:



- 5. ALL DIMENSIONS SHOWN ACROSS A CENTERLINE (⌀) SHALL BE CENTRALIZED WITHIN THE TOLERANCE INDICATED FOR THAT DIMENSION.
- 4. A REFERENCE DIMENSION (.XXX) IS WITHOUT TOLERANCE AND USED FOR INFORMATION PURPOSE ONLY.

- 3. RECOMMENDED MOUNTING HARDWARE: TO BE ORDERED SEPARATELY.
 - FOR PANEL MOUNTING, USE
 - 1650402-1: SHOULDER SCREW, #8-32
 - 1650106-1: SHOULDER SCREW, #6-32
 - 1650589-1: SHOULDER SCREW, M4X0.7
 - FOR PCB MOUNTING, USE COMMERCIALY AVAILABLE SCREW AND WASHER (IF REQUIRED).

- 2. MATERIALS:
 - HOUSING: THERMOPLASTIC, GLASS REINFORCED, COLOR-BLACK
UL94V-0 FLAMMABILITY RATED.
 - RETENTION CLIP: COPPER ALLOY OR STAINLESS STEEL

- 1. PART NUMBER CHANGES AND OR DESIGN CHANGES AFFECTING ITEM INTERCHANGEABILITY REQUIRE PRIOR TE CONNECTIVITY APPROVAL AND AUTHORIZATION BY REVISION TO THIS DRAWING.

NOTES: UNLESS OTHERWISE SPECIFIED

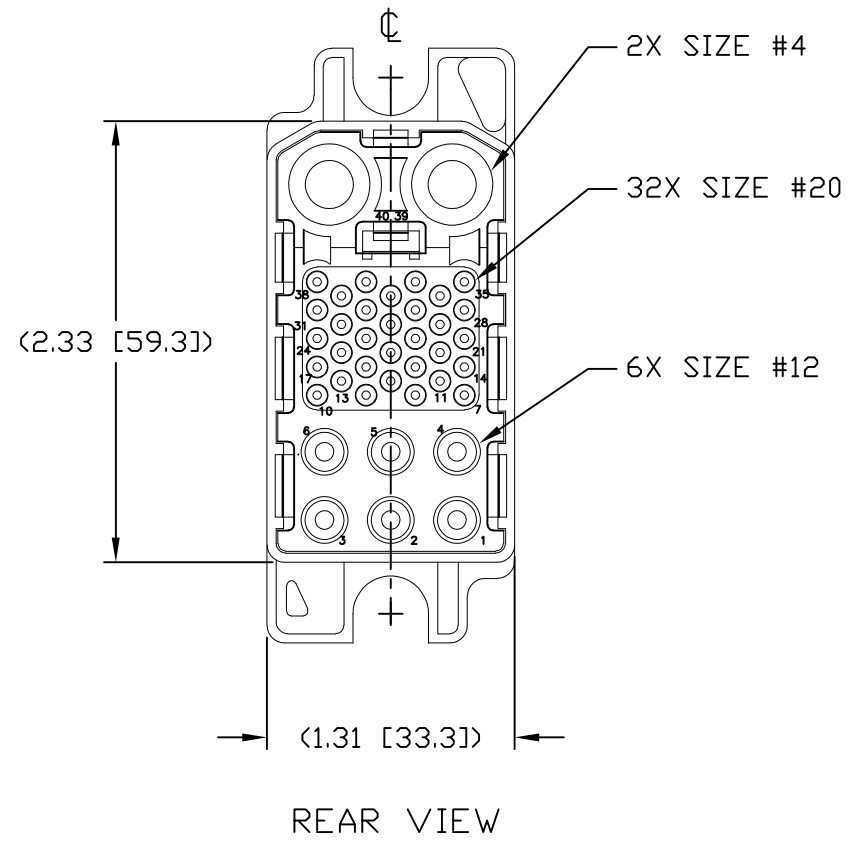
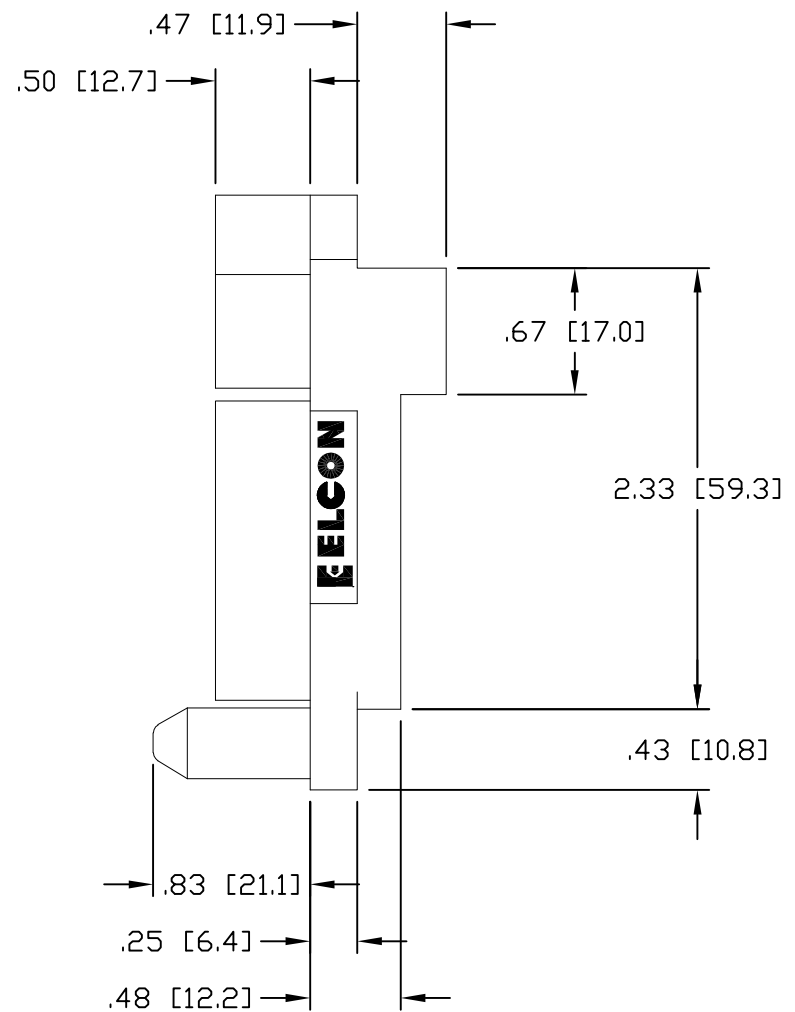
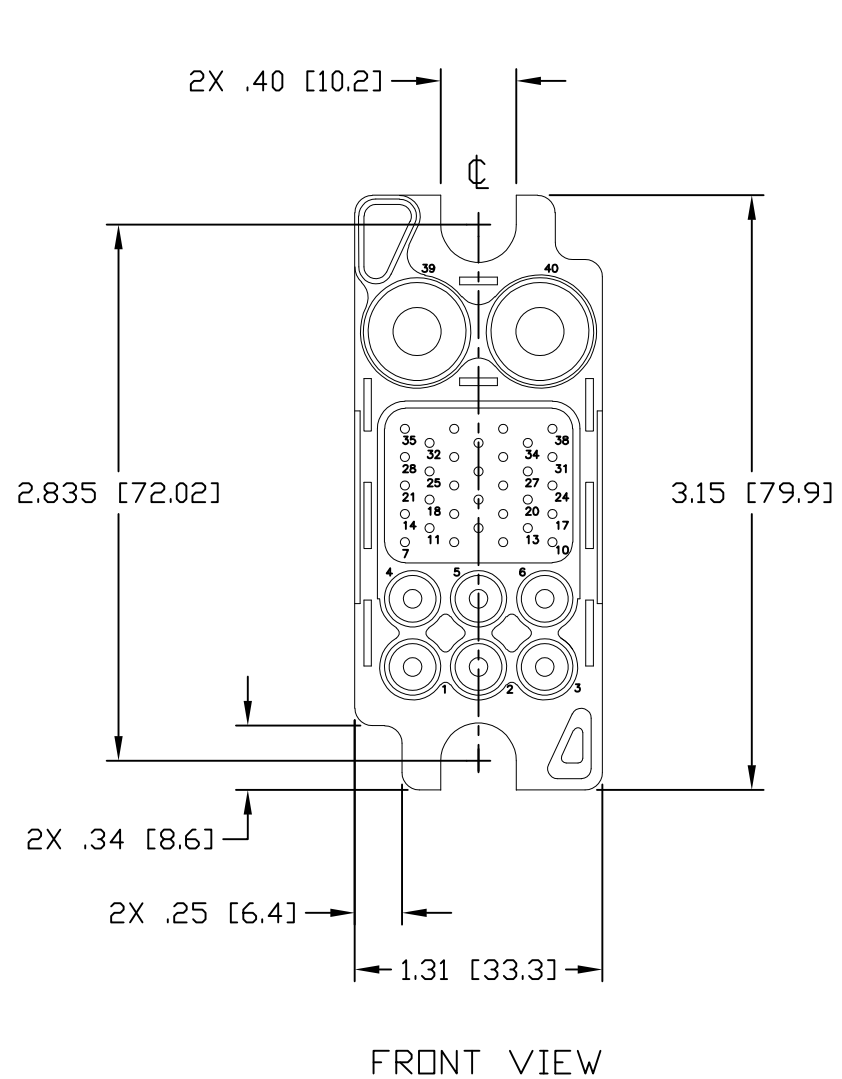
1648151-1	AS SHOWN						
PART NUMBER	DESCRIPTION						
TE Connectivity							
NAME CONNECTOR, PIN HOUSING 2X#4, 32X#20, 6X#12, FLOAT MOUNT 125A MIDDLE DRAWER							
DWN	03/25/06	HA NGUYEN	APVD	03/25/06	STEVE FLICKINGER	NAME	
CHK		PRODUCT SPEC		APPLICATION SPEC		RESTRICTED TO	
MATERIAL		FINISH		SIZE	CAGE CODE	DRAWING NO	RESTRICTED TO
-		-		A3	00779	C-1648151	-
CUSTOMER DRAWING				SCALE	1:1	SHEET	1 OF 3
				REV	A1		


THIS DRAWING IS A CONTROLLED DOCUMENT.	
DIMENSIONS: INCH(MM)	TOLERANCES UNLESS OTHERWISE SPECIFIED:
	0 PLC ± - 1 PLC ± - 2 PLC ± 0.02(0.3) 3 PLC ± 0.010(0.25) 4 PLC ± - ANGLES ± 0.5°
MATERIAL	FINISH
-	-

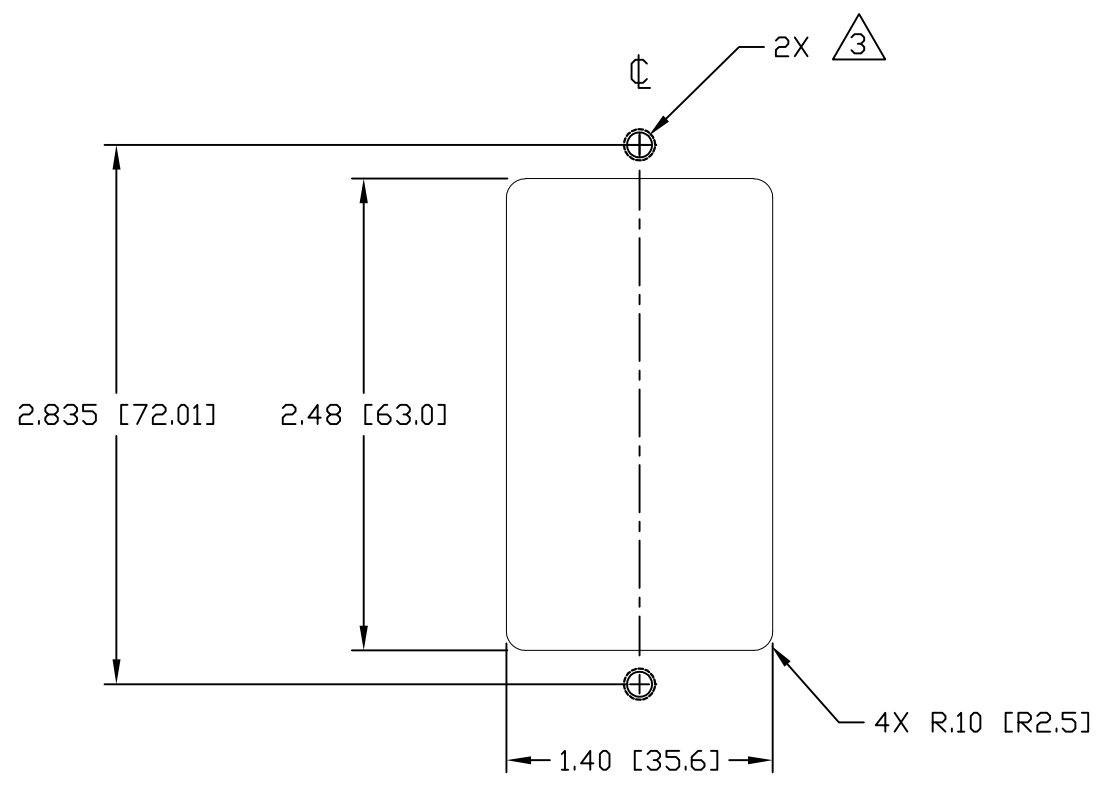
THIS DRAWING IS UNPUBLISHED. RELEASED FOR PUBLICATION EC LOC DIST REVISIONS

© COPYRIGHT - By - ALL RIGHTS RESERVED. - - - P LTR DESCRIPTION DATE DWN APVD

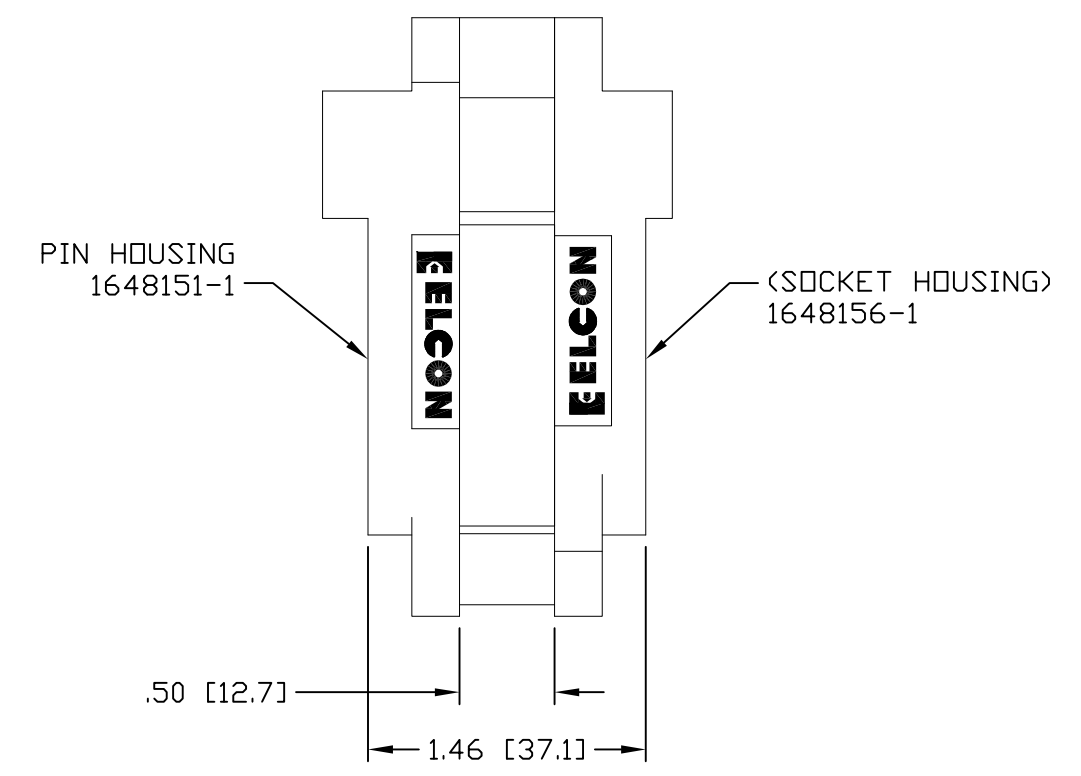
P	LTR	DESCRIPTION	DATE	DWN	APVD
-	-	SEE SHEET 1	-	-	-



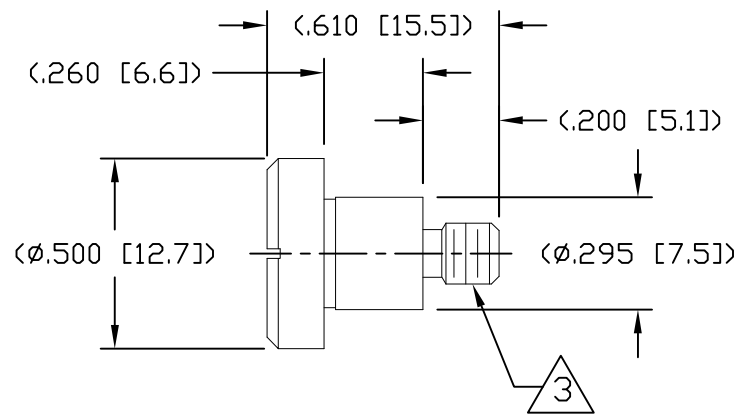
THIS DRAWING IS A CONTROLLED DOCUMENT.		DWN HA NGUYEN 03/25/06	 TE Connectivity			
DIMENSIONS: INCH(MM)		CHK -				NAME
TOLERANCES UNLESS OTHERWISE SPECIFIED:		APVD STEVE FLICKINGER 03/25/06	CONNECTOR, PIN HOUSING			
0 PLC ± - 1 PLC ± - 2 PLC ± 0.02(0.3) 3 PLC ± 0.010(0.25) 4 PLC ± - ANGLES ± 0.5°		PRODUCT SPEC -	2X#4, 32X#20, 6X#12, FLOAT MOUNT			
MATERIAL -		APPLICATION SPEC -	125A MIDDLE DRAWER			
FINISH -		WEIGHT -	SIZE A3	CAGE CODE 00779	DRAWING NO C-1648151	RESTRICTED TO -
CUSTOMER DRAWING			SCALE 1:1	SHEET 2 OF 3	REV A1	



RECOMMENDED PANEL CUTOUT
AS VIEWED FROM CONNECTOR MOUNTING SIDE
(FRONT VIEW)



MATED CONDITION



SHOULDER SCREW
SCALE 2:1
SHOWN FOR REFERENCE ONLY

THIS DRAWING IS A CONTROLLED DOCUMENT.		DWN HA NGUYEN 03/25/06	STE TE Connectivity															
DIMENSIONS: INCH(MM)		CHK -	NAME USER INFORMATION RECOMMENDED PANEL CUTOUT AND MATED CONDITION															
TOLERANCES UNLESS OTHERWISE SPECIFIED:		APVD STEVE FLICKINGER 03/25/06																
<table border="1" style="width:100%; border-collapse: collapse;"> <tr><td>0 PLC</td><td>± -</td></tr> <tr><td>1 PLC</td><td>± -</td></tr> <tr><td>2 PLC</td><td>± 0.02(0.3)</td></tr> <tr><td>3 PLC</td><td>± 0.010(0.25)</td></tr> <tr><td>4 PLC</td><td>± -</td></tr> <tr><td>ANGLES</td><td>± 0.5°</td></tr> </table>		0 PLC	± -	1 PLC	± -	2 PLC	± 0.02(0.3)	3 PLC	± 0.010(0.25)	4 PLC	± -	ANGLES	± 0.5°	PRODUCT SPEC -	SIZE A3			
0 PLC	± -																	
1 PLC	± -																	
2 PLC	± 0.02(0.3)																	
3 PLC	± 0.010(0.25)																	
4 PLC	± -																	
ANGLES	± 0.5°																	
MATERIAL -		FINISH -	APPLICATION SPEC -	CAGE CODE 00779	DRAWING NO C-1648151													
		WEIGHT -	RESTRICTED TO -															
		CUSTOMER DRAWING		SCALE 1:1	SHEET 3 OF 3	REV A1												