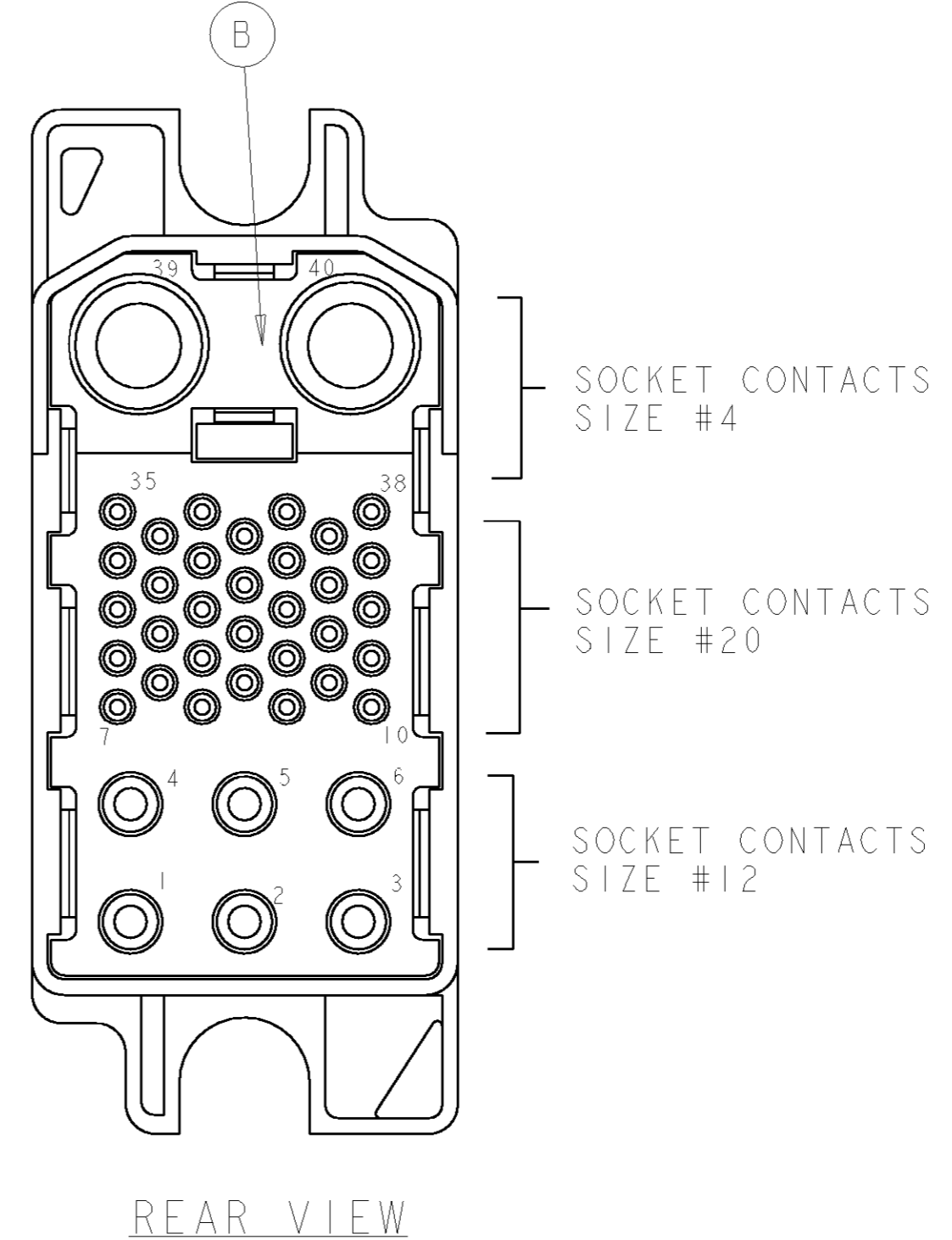
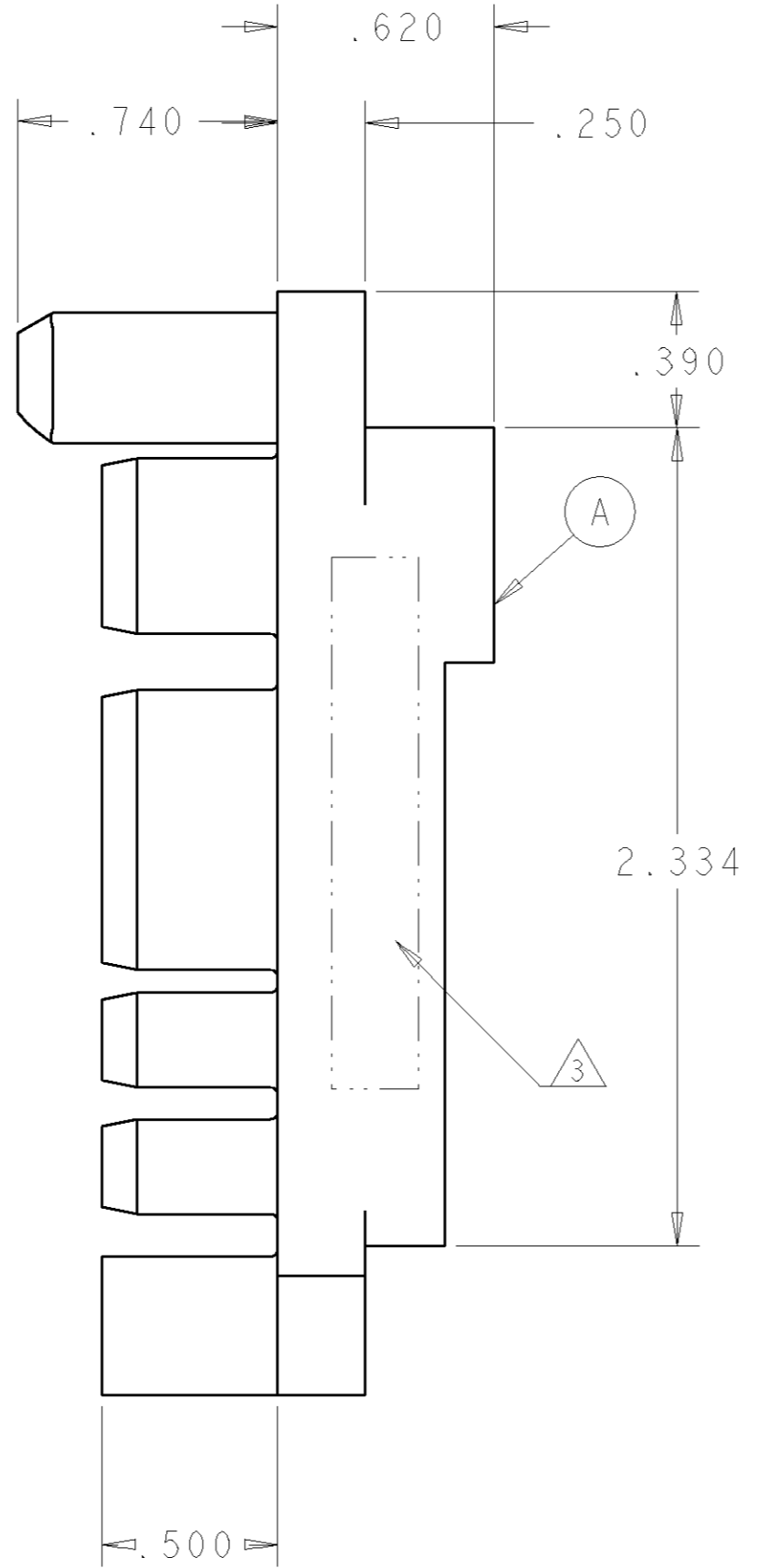
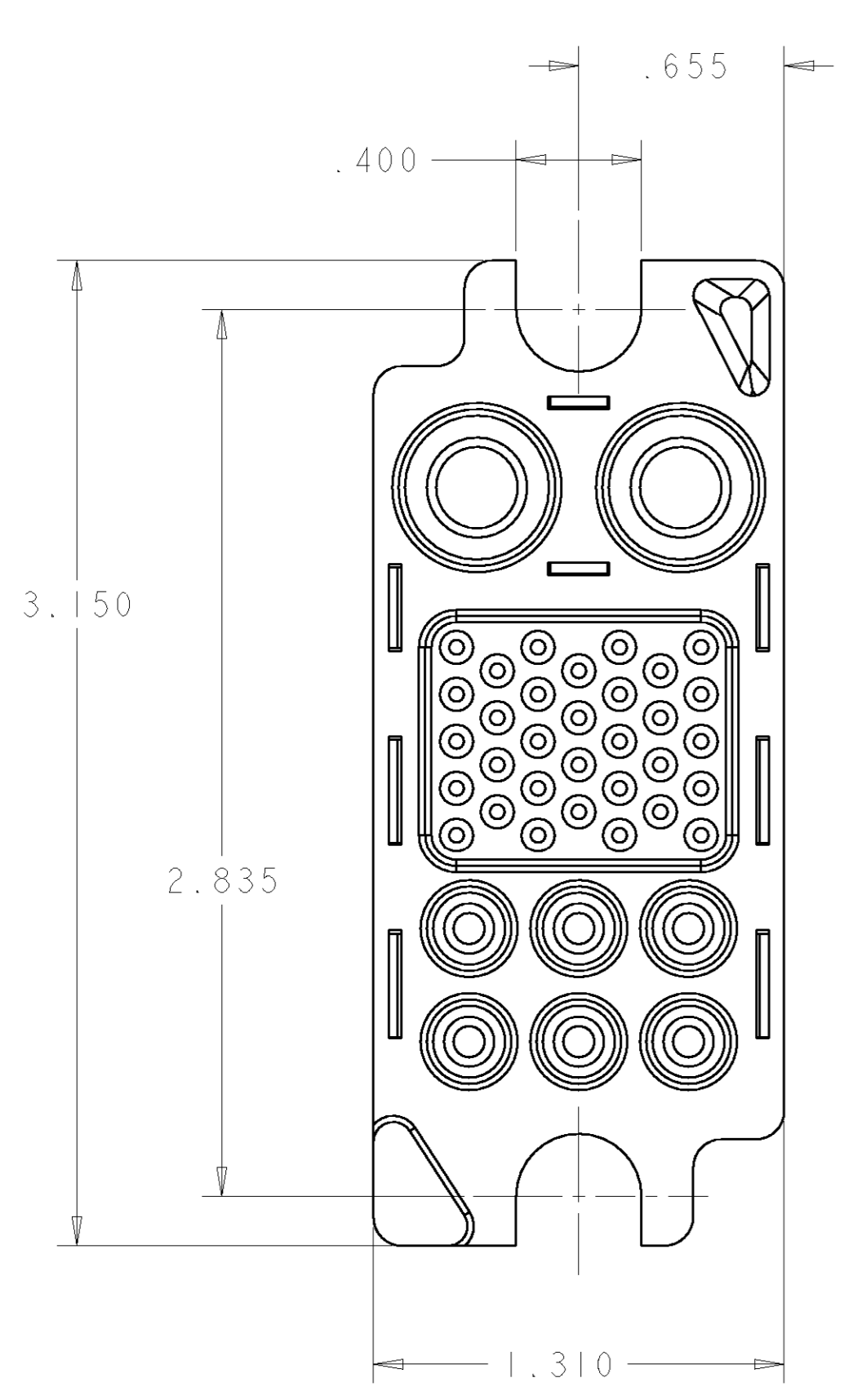


THIS DRAWING IS UNPUBLISHED. RELEASED FOR PUBLICATION 20
 © COPYRIGHT 20 BY TYCO ELECTRONICS CORPORATION. ALL RIGHTS RESERVED.

| REVISIONS | | | | | | | |
|-----------|------|---|-----|-------------|-----------|-----|------|
| LOC | DIST | P | LTR | DESCRIPTION | DATE | DWN | APVD |
| GP | 00 | | A | NEW RELEASE | 26APR2007 | RG | DO |



1. PART NUMBER CHANGES AND OR DESIGN CHANGES AFFECTING THE INTERCHANGEABILITY REQUIRE PRIOR TYCO APPROVAL AND AUTHORIZATION BY REVISION TO THIS DRAWING.

2. MATERIAL:
 INSULATOR: THERMOPLASTIC, GLASS REINFORCED, UL 94V-0 FLAMMABILITY RATED, COLOR: BLACK
 RETENTION CLIP: BERYLLIUM COPPER OR STAINLESS STEEL

3. ITEMS PROVIDED TO THIS SPECIFICATION TO BE PERMANENTLY IDENTIFIED PER THE FOLLOWING IDENTIFIER:

TYCO PART NUMBER
 XXXXXXXX-X

YEAR WEEK
 DATE CODE (e.g. 0216)
 XXXX

| | | | |
|----|-------------|------------------------|------|
| 6 | 1650489-1 | CLIP, RETENTION, #12 | E |
| 32 | 1650484-1 | CLIP, RETENTION, #20 | D |
| 2 | 1650485-1 | CLIP, RETENTION, #4 | C |
| 1 | 1648636-1 | HOUSING, SOCKET, REAR | B |
| 1 | 1648633-1 | HOUSING, SOCKET, FRONT | A |
| -1 | PART NUMBER | DESCRIPTION | ITEM |

| | | | | | | | |
|---------------------------|--|--|--|---|--|---|--|
| DIMENSIONS: INCHES | | TOLERANCES UNLESS OTHERWISE SPECIFIED: 0 PLC ± 1 PLC ± 2 PLC ±.01 3 PLC ±.006 4 PLC ± ANGLES ± FINISH | | DWN R. GRZYBOWSKI 26APR07 CHK D. ORRIS 26APR07 APVD S. FLICKINGER 26APR07 PRODUCT SPEC - APPLICATION SPEC - WEIGHT - CUSTOMER DRAWING | | tyco Tyco Electronics Harrisburg, PA 17105-3608 NAME CONNECTOR, SOCKET FLOAT MOUNT 125A MIDDLE DRAWER SIZE A2 CAGE CODE 00779 DRAWING NO. 1648156 RESTRICTED TO - SCALE 3:1 SHEET 1 OF 1 REV A | |
|---------------------------|--|--|--|---|--|---|--|

ELCON MIDDLE DRAWER