

THIS DRAWING IS UNPUBLISHED.

RELEASED FOR PUBLICATION

© COPYRIGHT 2010 BY TYCO ELECTRONICS CORPORATION. ALL RIGHTS RESERVED.

LOC DW DIST

REVISIONS

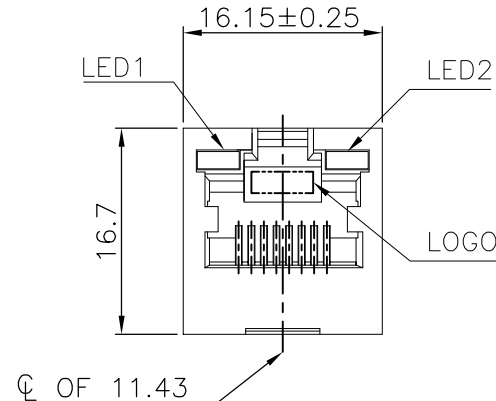
P	LTR	DESCRIPTION	DATE	DWN	APVD
C5		REVISED (ECO-14-012616, EOL PN 5-1734577-4)	30DEC2014	LL	SH

MODULAR JACK WITH LED

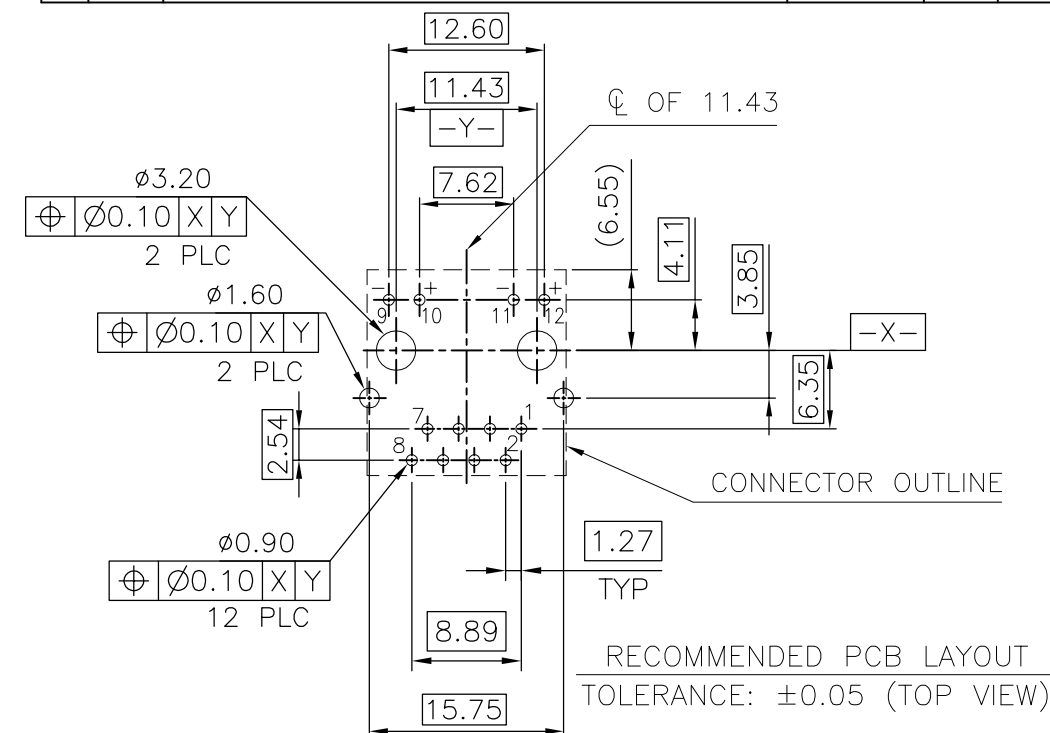
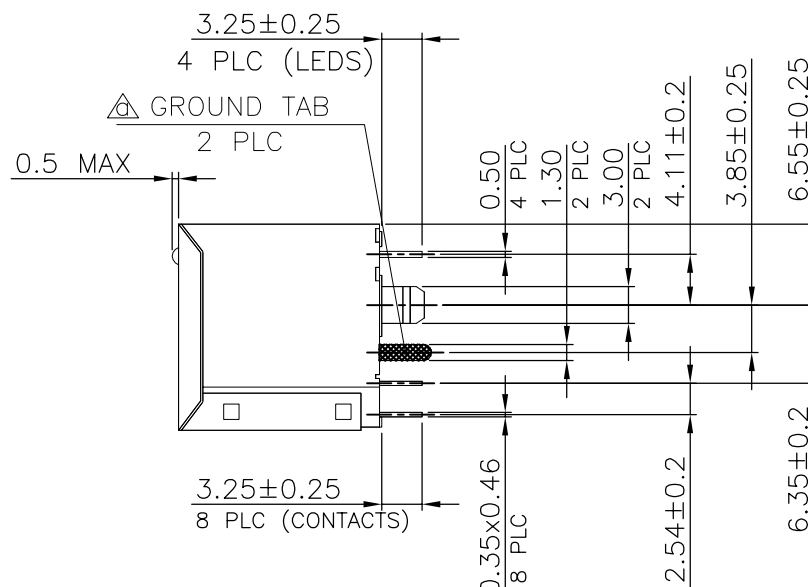
LED SCHEMATIC	
LED1	LED2
GREEN	YELLOW
9- +10	11- +12
FOR 1734577-X	

LED SCHEMATIC	
LED1	LED2
GREEN	GREEN
9- +10	11- +12
FOR 1-1734577-X	

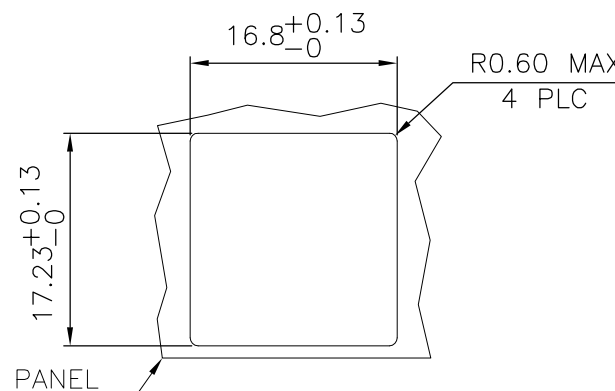
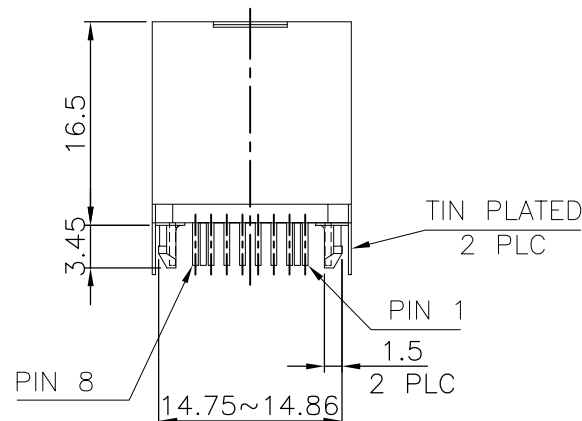
LED SCHEMATIC	
LED1	LED2
RED GREEN	RED GREEN
9- +10	11- +12
FOR 2-1734577-X	



LED SCHEMATIC	
LED1	LED2
YELLOW	GREEN ORANGE
9- +10	11- +12
FOR 4-1734577-1	



LED SCHEMATIC	
LED1	LED2
RED YELLOW	RED GREEN
9- +10	11- +12
FOR 5-1734577-X	



RECOMMENDED SUGGESTED PANEL CUTOUT

NOTE:

1. MATERIAL:

- 1.1 HOUSING: PA46, WITH 30% GF, UL94 V-0, BLACK COLOR.
- 1.2 CONTACTS: PHOSPHOR BRONZE.
- 1.3 SHELL: BRASS.
- 1.4 LED SOLDER TAIL: STEEL.

2. FINISH:

- 2.1 CONTACTS: (SEE TABLE) GOLD PLATED ON CONTACT AREA, GOLD FLASH ON SOLDER TAIL AREA, 1.27um [50u"] MIN. NICKEL UNDERPLATING OVERALL.

SHELL: 0.508um [20u"] MIN. NICKEL PLATED.

a POST DIPPED WITH TIN ON PCB GROUND TABS.

LED SOLDER TAIL: 2.159um [85u"] MIN. BRIGHT-TIN PLATED.

3. LED MUST BE REFLOW COMPATIBLE TO FOLLOWING

TEMPERATURE PROFILE (FOR 1 CYCLE): ABOVE 160°C FOR 120 SECONDS, PEAKING AT 245°C FOR 20~40 SECONDS.

4. LED DEFECT RATE IS 6000PPM MAX. AFTER IR REFLOW PROCESS AS NOTE 3.

5. WAVE SOLDER CAPABLE TO 265°C PER TE SPEC 109-202, CONDITION B.

6. OBSOLETE PARTS: OBSOLETE CIS STREAMLINING PER D.RENAUD/D.SINISI

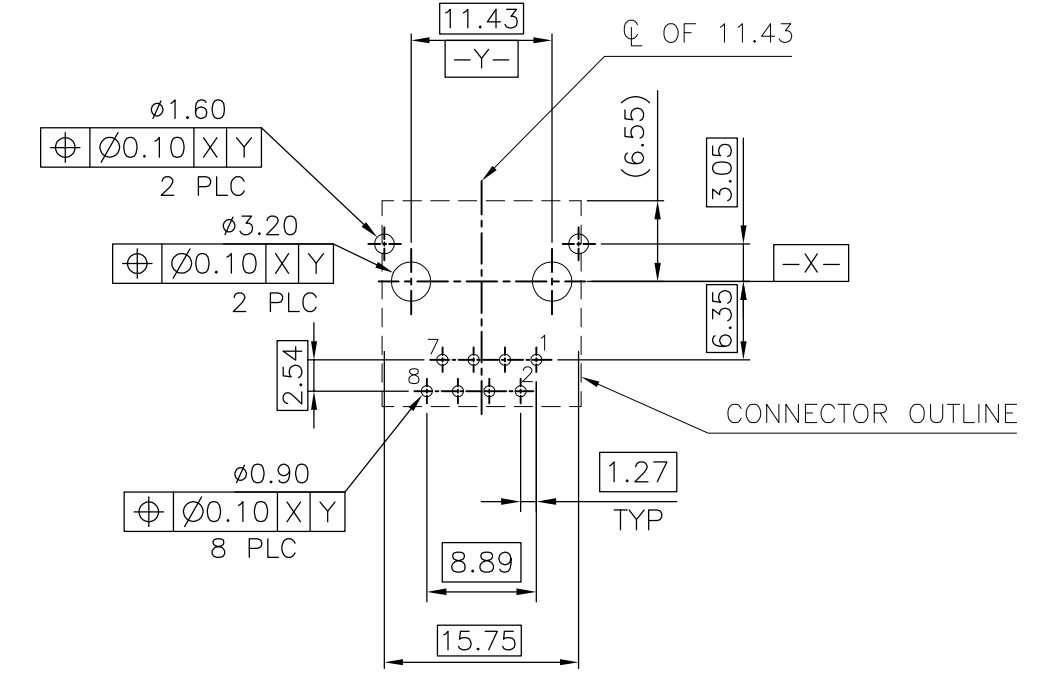
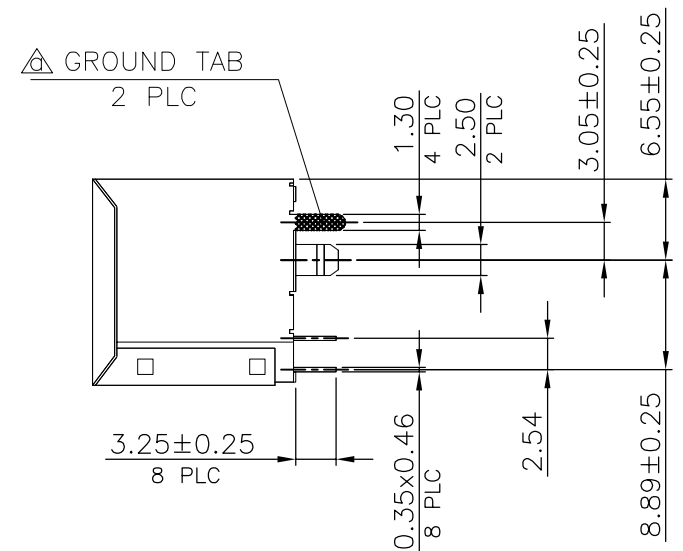
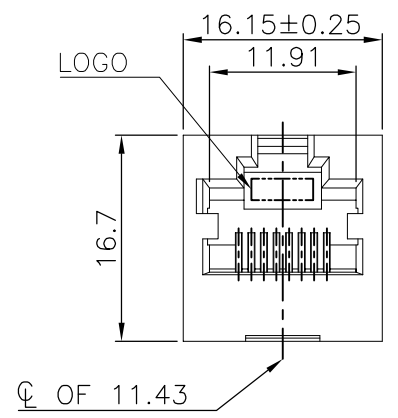
OBSOLETE	RED/ GREEN	RED/ YELLOW	1.27um [50u"]	5-1734577-4
	GREEN/ ORANGE	YELLOW	0.762um [30u"]	4-1734577-1
OBSOLETE	RED/ GREEN	RED/ GREEN	1.27um [50u"]	2-1734577-4
			0.762um [30u"]	2-1734577-3
			0.381um [15u"]	2-1734577-2
OBSOLETE	GREEN	GREEN	0.152um [6u"]	2-1734577-1
			1.27um [50u"]	1-1734577-4
			0.762um [30u"]	1-1734577-3
OBSOLETE	YELLOW	GREEN	0.381um [15u"]	4-1734577-2
			0.152um [6u"]	1-1734577-1
			1.27um [50u"]	1734577-4
OBSOLETE	LED2	LED1	0.762um [30u"]	1734577-3
			0.381um [15u"]	1734577-2
			0.152um [6u"]	1734577-1
	INDICATOR COLOR		MIN. GOLD THICKNESS	PART NUMBER

THIS DRAWING IS A CONTROLLED DOCUMENT.		DWN B. HSING 21JUL2009	TE Connectivity	
		CHK S. CHIEN 21JUL2009		
		APVD W. KODAMA 21JUL2009	NAME MODULAR JACK CONNECTOR RJ45, 8P8C, VERTICAL, DIP TYPE	
		PRODUCT SPEC		
		APPLICATION SPEC	SIZE A3 CAGE CODE 00779 DRAWING NO C=1734577 RESTRICTED TO WEIGHT 6.55 GRAMS	
		108-57527		
MATERIAL SEE NOTE		FINISH SEE NOTE	SCALE 1 OF 3 SHEET 1 OF 3 REV C5	
		CUSTOMER DRAWING		

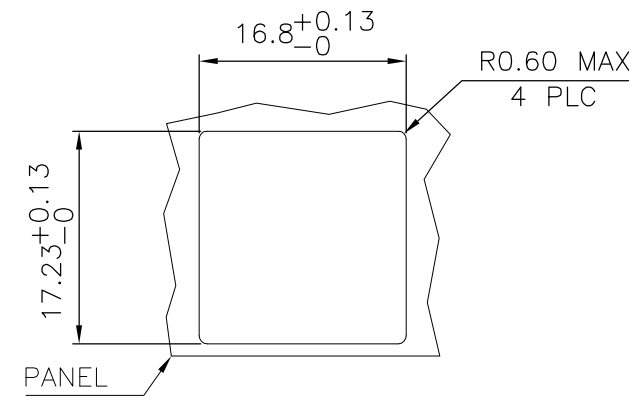
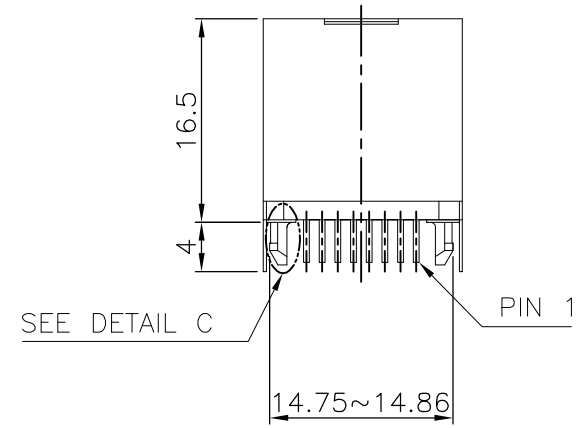
THIS DRAWING IS UNPUBLISHED. RELEASED FOR PUBLICATION
 © COPYRIGHT 2010 BY TYCO ELECTRONICS CORPORATION. ALL RIGHTS RESERVED.

LOC	DIST	REVISIONS			
P	LTR	DESCRIPTION	DATE	DWN	APVD
DW		SEE SHEET 1.			

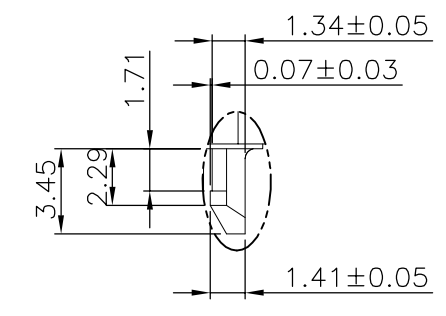
MODULAR JACK WITHOUT LED



RECOMMENDED PCB LAYOUT
 TOLERANCE: ±0.05 (TOP VIEW)



RECOMMENDED SUGGESTED PANEL CUTOUT



DETAIL C (SCALE 2:1)

- NOTE:
- MATERIAL:
 HOUSING: PA46, WITH 30% GF, UL94 V-0, BLACK COLOR.
 CONTACTS: PHOSPHOR BRONZE.
 SHELL: BRASS.
 - FINISH:
 CONTACTS: (SEE TABLE) GOLD PLATED ON CONTACT AREA,
 GOLD FLASH ON SOLDER TAIL,
 WITH ENTIRE CONTACT UNDERPLATED
 1.27µm [50µ"] MIN. NICKEL.
 SHELL: 0.508µm [20µ"] MIN. NICKEL PLATED.
 POST DIPPED WITH TIN ON PCB GROUND TABS.
 - WAVE SOLDER CAPABLE TO 265°C PER TE SPEC 109-202, CONDITION B.
 - OBsolete PARTS: OBSOLETE CIS STREAMLINING PER D.RENAUD/D.SINISI

△	1.27µm [50µ"]	3-1734577-5
	1.27µm [50µ"]	3-1734577-4
△	0.762µm [30µ"]	3-1734577-3
	0.381µm [15µ"]	3-1734577-2
	0.152µm [6µ"]	3-1734577-1
	MIN. GOLD THICKNESS	PART NUMBER

THIS DRAWING IS A CONTROLLED DOCUMENT.		DWN		TE Connectivity	
DIMENSIONS: mm		CHK			
TOLERANCES UNLESS OTHERWISE SPECIFIED:		APVD		NAME	
0 PLC ± - 1 PLC ± 0.3 2 PLC ± 0.2 3 PLC ± 0.15 4 PLC ± - ANGLES ± 3°		PRODUCT SPEC		MODULAR JACK CONNECTOR RJ45, 8P8C, VERTICAL, DIP TYPE	
MATERIAL		APPLICATION SPEC		SIZE	
FINISH		WEIGHT 6.7 GRAMS		CAGE CODE A300779	
		CUSTOMER DRAWING		DRAWING NO C=1734577	
		SCALE		RESTRICTED TO	
		SHEET 2 OF 3		REV C5	

4

3

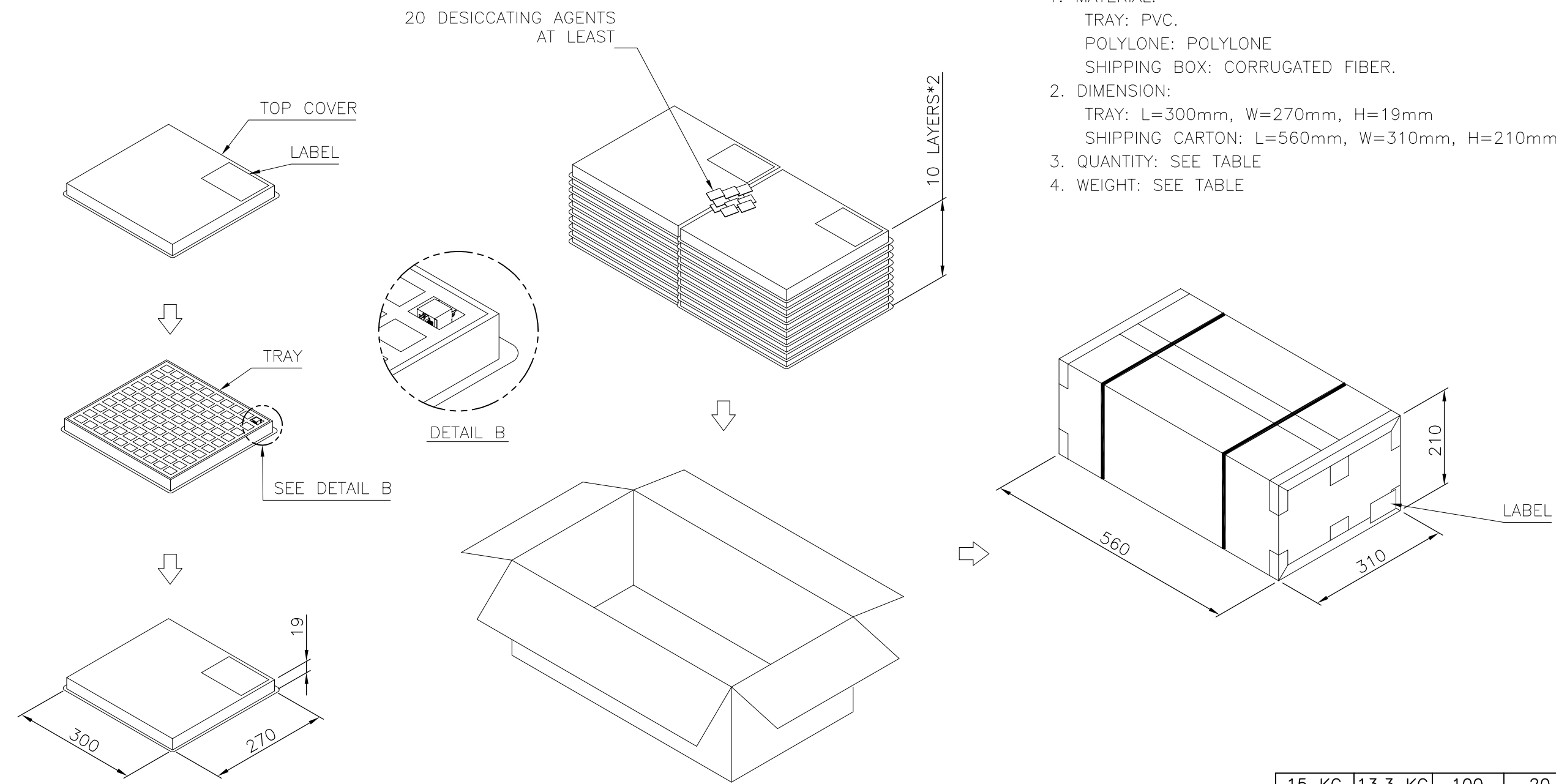
2

1

THIS DRAWING IS UNPUBLISHED. RELEASED FOR PUBLICATION
 © COPYRIGHT 2010 BY TYCO ELECTRONICS CORPORATION. ALL RIGHTS RESERVED.

LOC	DIST	REVISIONS				
P	LTR	DESCRIPTION	DATE	DWN	APVD	
DW	/	SEE SHEET 1.				

- NOTES:
- MATERIAL:
 TRAY: PVC.
 POLYLONE: POLYLONE
 SHIPPING BOX: CORRUGATED FIBER.
 - DIMENSION:
 TRAY: L=300mm, W=270mm, H=19mm
 SHIPPING CARTON: L=560mm, W=310mm, H=210mm
 - QUANTITY: SEE TABLE
 - WEIGHT: SEE TABLE



15 KG	13.3 KG	100	20	2000
GROSS WEIGHT	NET WEIGHT	PCS/ TRAY	TRAY/ BOX	PCS/ BOX

THIS DRAWING IS A CONTROLLED DOCUMENT.		DWN	TE Connectivity			
DIMENSIONS: mm		CHK				
		APVD				
TOLERANCES UNLESS OTHERWISE SPECIFIED: 0 PLC ± - 1 PLC ± 0.3 2 PLC ± 0.2 3 PLC ± 0.15 4 PLC ± - ANGLES ± 3°		PRODUCT SPEC				
MATERIAL	FINISH	APPLICATION SPEC	NAME			
		WEIGHT	MODULAR JACK CONNECTOR RJ45, 8P8C, VERTICAL, DIP TYPE			
		CUSTOMER DRAWING	SIZE	CAGE CODE	DRAWING NO	RESTRICTED TO
			A3	00779	C=1734577	
			SCALE	SHEET	REV	
				3 OF 3	C5	

Mouser Electronics

Authorized Distributor

Click to View Pricing, Inventory, Delivery & Lifecycle Information:

[TE Connectivity:](#)

[1-1734577-1](#)