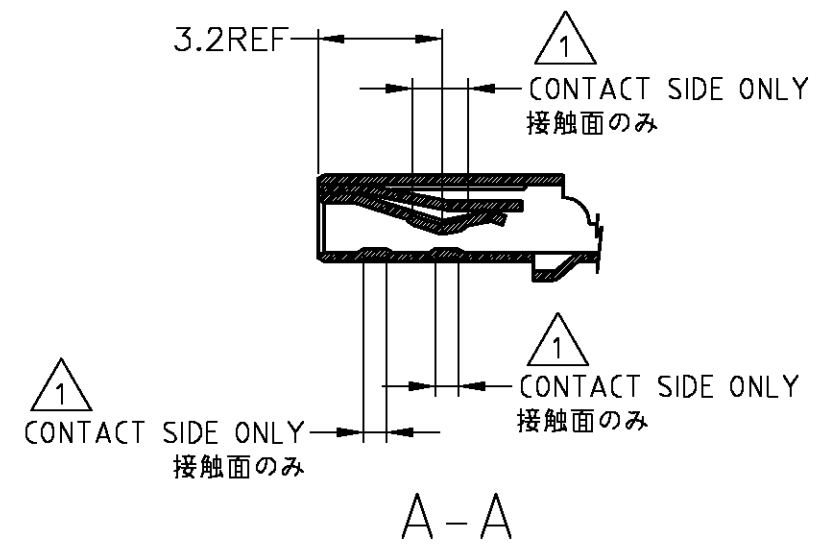
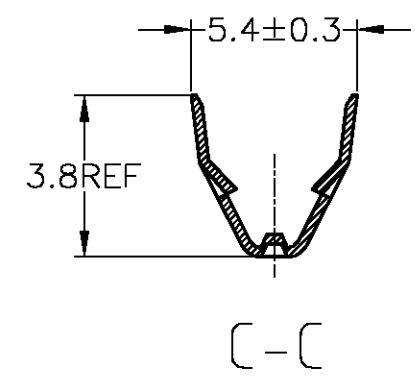
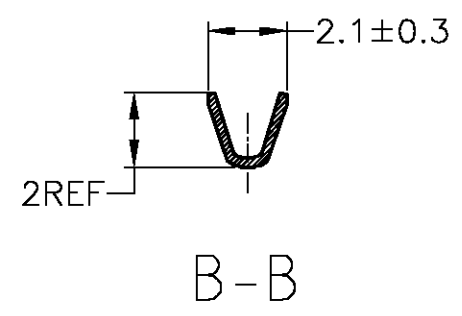
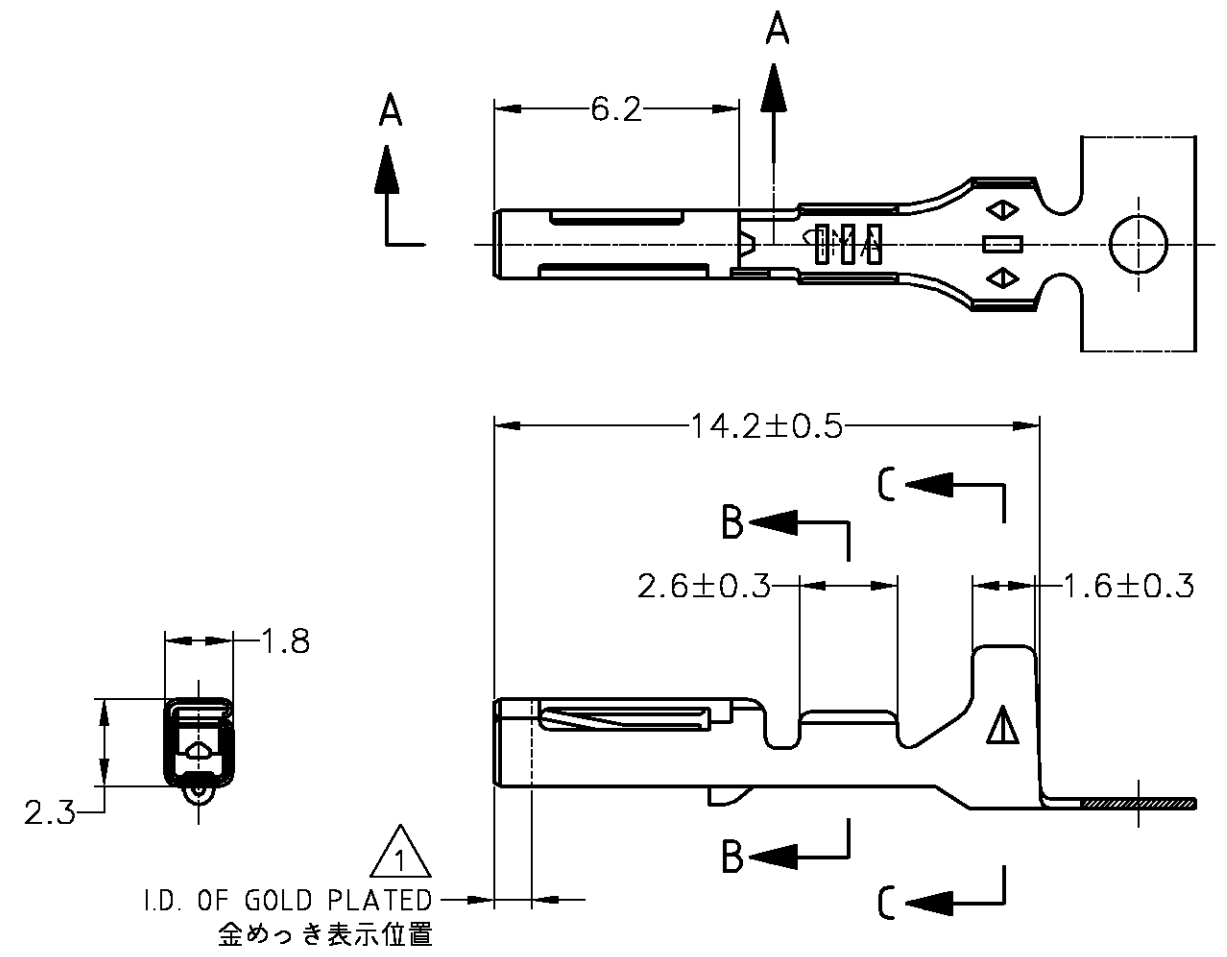


THIS DRAWING IS UNPUBLISHED. RELEASED FOR PUBLICATION  
 © COPYRIGHT BY TYCO ELECTRONICS CORPORATION. ALL RIGHTS RESERVED.

LOC	DIST	REVISIONS					
		P	LTR	DESCRIPTION	DATE	DWN	APVD
J	—	E3		REVISED	07AUG06	SM	KB

注;  
 △部分金めっき  
 NOTE;  
 △SELECTIVE GOLD



TOLERANCES UNLESS OTHERWISE SPECIFIED:  
 一般公差

10 ≥	±0.2
30 ≥ > 10	±0.25
100 ≥ > 30	±0.3
ANGLE : ±3°	

THIS DRAWING IS A CONTROLLED DOCUMENT.

DIMENSIONS: 単位: 耗 mm	TOLERANCES UNLESS OTHERWISE SPECIFIED: 一般公差
0 PLC ±-	1 PLC ±-
2 PLC ±-	3 PLC ±-
4 PLC ±-	ANGLES ±-
MATERIAL 材料 PHOS. BRONZE, THK 0.25 りん青銅、板厚; 0.25	FINISH 仕上 SEE TABLE

DWN	T.SHINOHARA	25MAY04
CHK	K.BETSUI	25MAY04
APVD	K.BETSUI	25MAY04
PRODUCT SPEC	製品規格	
APPLICATION SPEC	取付適用規格	
WEIGHT	0.262	
CUSTOMER DRAWING		

SEE DRAWING 173681-6	173681-6
175062-2	SELECTIVE GOLD
175062-1	PRE-TINNED
LOOSE PIECES NUMBER	PART NUMBER

WIRE RANGE (包含電線断面積) 0.3~0.56mm <sup>2</sup> (AWG#22~20)		INSULATION DIA. (被覆外径) 1.8~2 mmφ	
Tyco Electronics AMP K.K. Kawasaki, Japan			
040 SERIES RECEPTACLE CONTACT			
SIZE	CAGE CODE	DRAWING NO	RESTRICTED TO
A3	00779	C-173681	—
SCALE 尺度 5:1		SHEET 1 OF 1	
		REV E3	