

LOC		DIST		REVISIONS			
P	LTR	DESCRIPTION		DATE	DWN	APVD	
		S1		REVISED PER ECO-14-016296	29OCT2014	NK	RH

SPECIFICATIONS:

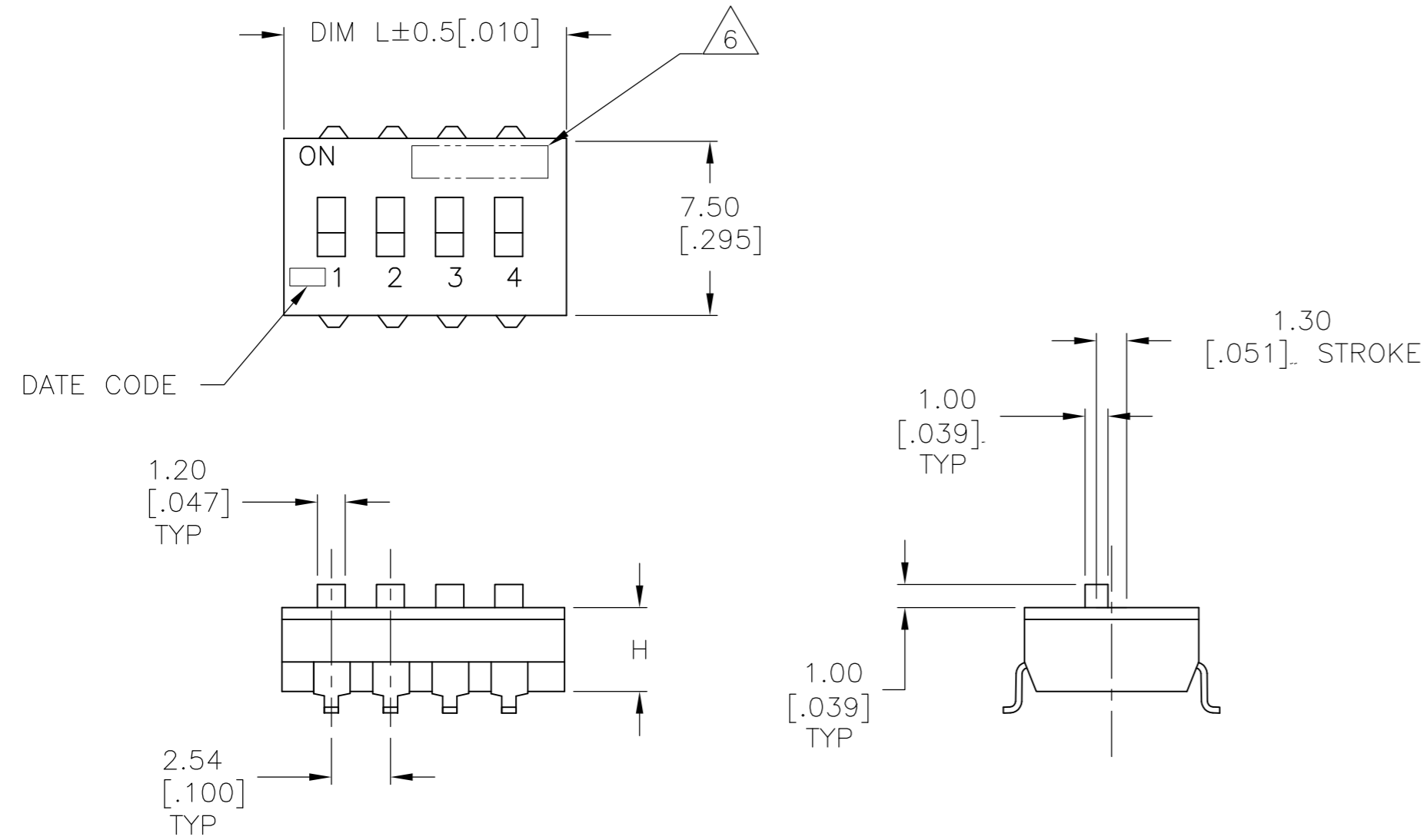
MATERIAL
 BASE, PPS, UL94V-0, BLACK
 COVER, PPS, UL94V-0, BLACK
 ACTUATOR, PA6T, UL94V-0, WHITE
 FIXED CONTACT/TERMINAL, CU ALLOY-GOLD FLASH OVER NICKEL
 MOVING CONTACT, CU ALLOY, PLATE-GOLD FLASH/NICKEL

ELECTRICAL
 MAX CONTACT RATING SWITCHING, 100MILLIAMP @ 24 VDC
 MIN CONTACT RATING SWITCHING, .1MICROAMP @ 1 MILLIVOLT
 MAX CONTACT NON-SWITCHING, 1AMP @ 5 VDC
 INITIAL CONTACT RESISTANCE, 50 MILLIOHMS MAX.
 CONTACT RESISTANCE (AFTER ENVIRONMENTAL TEST), 100 MILLIOHMS
 CONTACT RESISTANCE (AFTER GAS TEST), 300 MILLIOHMS
 INSULATION RESISTANCE, 1,000 MEGOHMS MIN. @ 100 VDC
 DIELECTRIC STRENGTH, 500 VAC RMS @ SEA LEVEL
 LIFE EXPECTANCY, 1,000 CYCLES

MECHANICAL
 OPERATING FORCE, LESS THAN 800 GRAMS
 CONTACT PRESSURE, 280,000 PSI

ENVIRONMENTAL
 OPERATING TEMPERATURE, -30 TO +85 DEGREES C
 STORAGE TEMPERATURE, -45 TO +105 DEGREES C
 CLEANING, AQUEOUS OR SOLVENT
 SOLDER HEAT RESISTANCE, PER 109-201, COND B, SWITCH "OFF".
 SOLDERABILITY PER JIS C 0050 & JIS C 0053

- 1 SWITCHES TO BE RECEIVED IN THE "OFF" POSITION AND PACKAGED IN CLEAR TUBES TO ACCOMMODATE AUTO-INSERTION.
- 2 TOP SURFACE TO BE CLEARLY MARKED AS SHOWN.
- 3 SWITCHES TO BE BLACK WITH WHITE ACTUATORS AND MARKINGS.
- △ 4 TERMINAL OPTION: OLD T&B P/N ADExxS, SA OR SB
 S= OUTSIDE "L" TERMINALS; SA= INSIDE "L" TERMINALS;
 SB= BUTT TERMINALS.
- 5 ALL MATERIALS AND FINISHES SHALL COMPLY WITH EU DIRECTIVE 2002/95/EC OF 27JAN2003 (ROHS).
- △ 6 OBSOLETE PARTS: OBSOLETE CIS STREAMLINING PER D.RENAUD/D.SINISI.
- △ 7 TAPE AND REEL PACKING PER PAGE 3 SPECIFICATIONS.

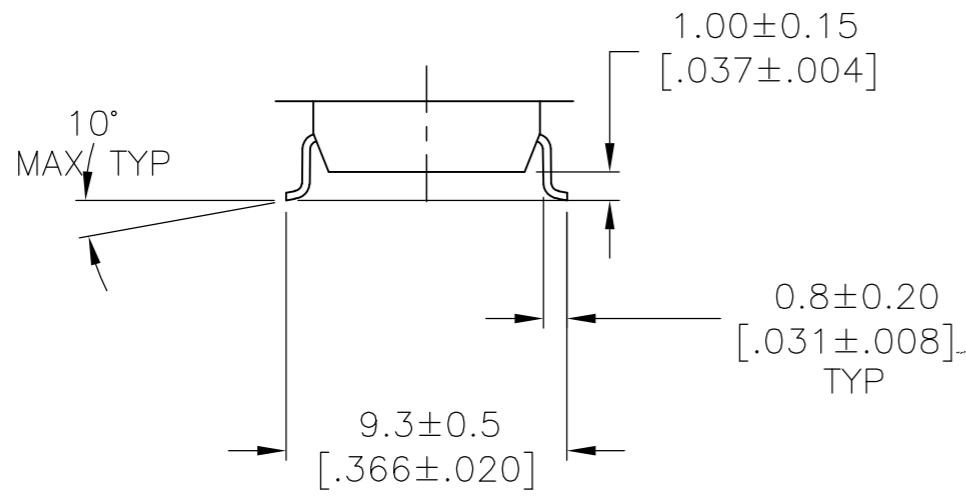
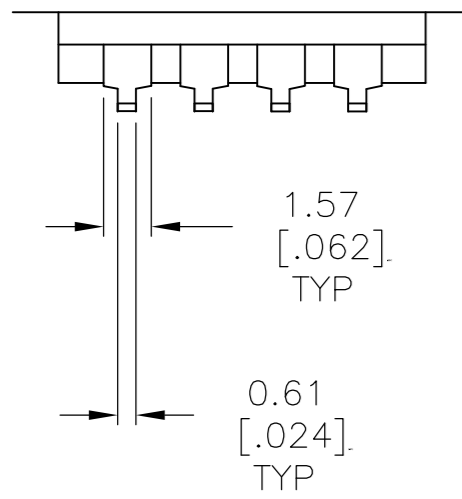


SEE SHEET 2 FOR PART NUMBER TABLE AND MOUNTING OPTIONS

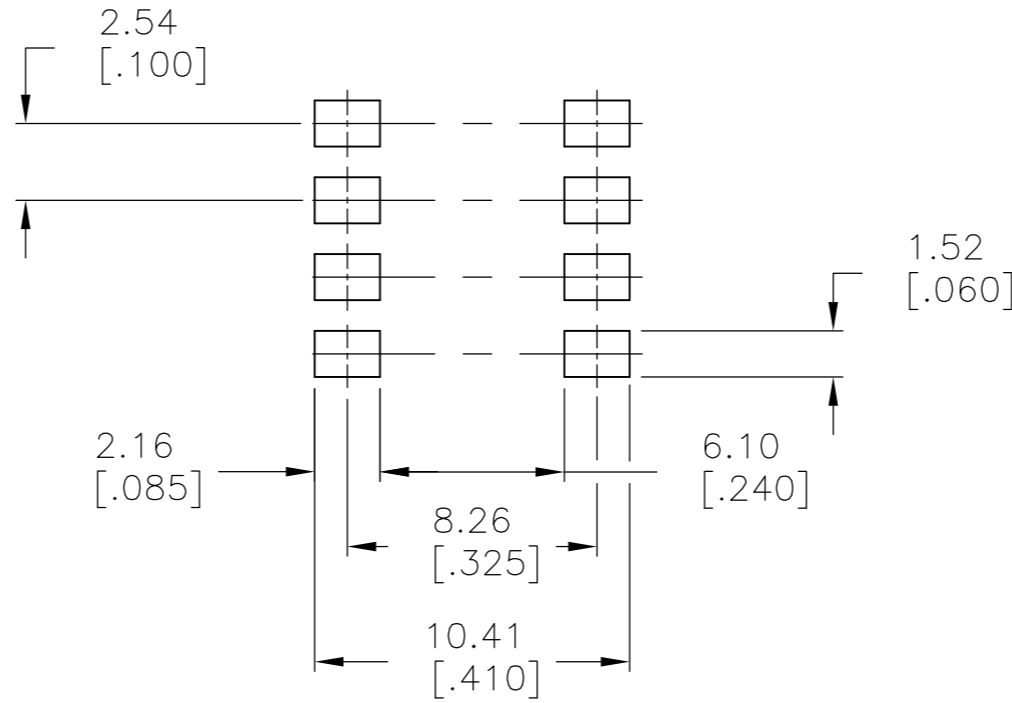
THIS DRAWING IS A CONTROLLED DOCUMENT.		DWN B.S.VISWESWARA	10FEB05	STE TE Connectivity																			
DIMENSIONS: mm [INCHES]		CHK M.SARVER	APVD M.SARVER																				
TOLERANCES UNLESS OTHERWISE SPECIFIED:		PRODUCT SPEC		NAME																			
<table border="0"> <tr><td>0 PLC</td><td>±</td><td>-</td></tr> <tr><td>1 PLC</td><td>±</td><td>-</td></tr> <tr><td>2 PLC</td><td>±</td><td>0.30[0.012]</td></tr> <tr><td>3 PLC</td><td>±</td><td>-</td></tr> <tr><td>4 PLC</td><td>±</td><td>-</td></tr> <tr><td>ANGLES</td><td>±</td><td>-</td></tr> </table>		0 PLC	±	-	1 PLC	±	-	2 PLC	±	0.30[0.012]	3 PLC	±	-	4 PLC	±	-	ANGLES	±	-	APPLICATION SPEC		DIP SWITCH, ADE-SMT SERIES	
0 PLC	±	-																					
1 PLC	±	-																					
2 PLC	±	0.30[0.012]																					
3 PLC	±	-																					
4 PLC	±	-																					
ANGLES	±	-																					
MATERIAL		WEIGHT		SIZE	RESTRICTED TO																		
FINISH		-		A2	-																		
-		CUSTOMER DRAWING		SCALE	REV																		
-		-		4:1	S1																		
-		-		SHEET	1 OF 3																		

THIS DRAWING IS UNPUBLISHED. RELEASED FOR PUBLICATION 1825058, 1825058
 © COPYRIGHT 1825058 By - ALL RIGHTS RESERVED.

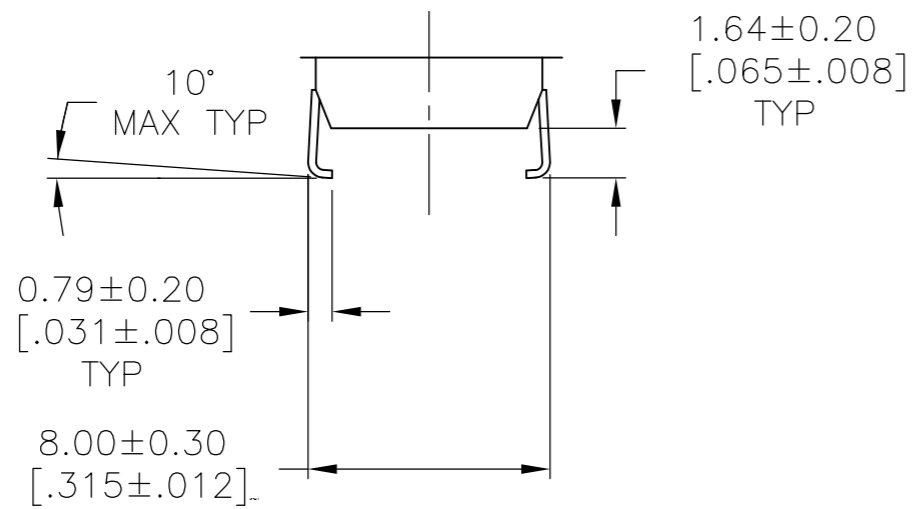
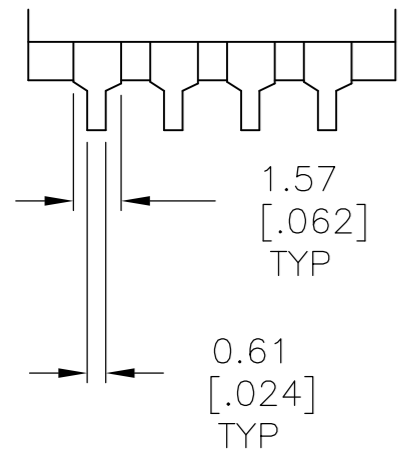
LOC		DIST		REVISIONS			
P	LTR	DESCRIPTION		DATE	DWN	APVD	
-	-	SEE SHEET 1		-	-	-	



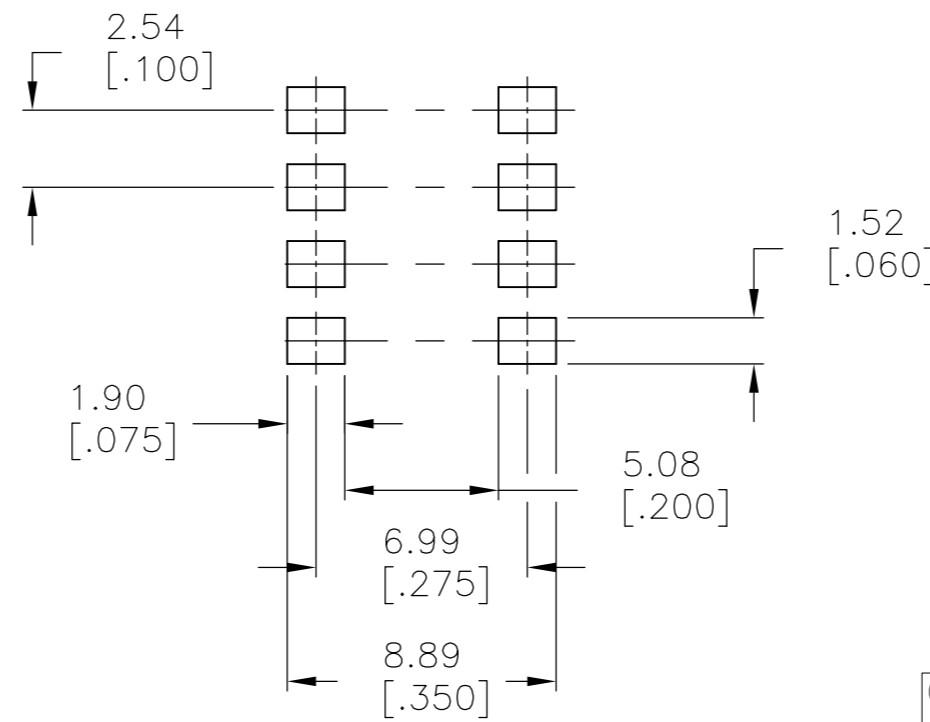
SURFACE MOUNT
S (OUTSIDE "L")



RECOMMENDED PAD LAYOUT



SURFACE MOUNT
SA (INSIDE "L")



RECOMMENDED PAD LAYOUT

7	ADE04SATR04	3.50 [.138]	12.14 [.478]	4	3-1825058-1
	ADE12SB04	3.61 [.142]	32.51 [1.280]	12	3-1825058-0
	ADE12SA04	3.61 [.142]	32.51 [1.280]	12	2-1825058-9
	ADE12S04	3.61 [.142]	32.51 [1.280]	12	2-1825058-8
	ADE10SB04	3.50 [.138]	27.36 [1.078]	10	2-1825058-7
	ADE10SA04	3.50 [.138]	27.36 [1.078]	10	2-1825058-6
	ADE10S04	3.50 [.138]	27.36 [1.078]	10	2-1825058-5
	ADE09SB04	3.50 [.138]	24.54 [.978]	9	2-1825058-4
	ADE09SA04	3.50 [.138]	24.54 [.978]	9	2-1825058-3
	ADE09S04	3.50 [.138]	24.54 [.978]	9	2-1825058-2
	ADE08SB04	3.50 [.138]	22.30 [.878]	8	2-1825058-1
	ADE08SA04	3.50 [.138]	22.30 [.878]	8	2-1825058-0
	ADE08S04	3.50 [.138]	22.30 [.878]	8	1-1825058-9
OBSOLETE	ADE07SB04	3.50 [.138]	19.76 [.778]	7	1-1825058-8
6	ADE07SA04	3.50 [.138]	19.76 [.778]	7	1-1825058-7
	ADE07S04	3.50 [.138]	19.76 [.778]	7	1-1825058-6
	ADE06SB04	3.50 [.138]	17.22 [.678]	6	1-1825058-5
	ADE06SA04	3.50 [.138]	17.22 [.678]	6	1-1825058-4
	ADE06S04	3.50 [.138]	17.22 [.678]	6	1-1825058-3
OBSOLETE	ADE05SB04	3.50 [.138]	14.68 [.578]	5	1-1825058-2
6	ADE05SA04	3.50 [.138]	14.68 [.578]	5	1-1825058-1
	ADE05S04	3.50 [.138]	14.68 [.578]	5	1-1825058-0
	ADE04SB04	3.50 [.138]	12.14 [.478]	4	1825058-9
	ADE04SA04	3.50 [.138]	12.14 [.478]	4	1825058-8
	ADE04S04	3.50 [.138]	12.14 [.478]	4	1825058-7
6	OBSOLETE	ADE03SB04	9.60 [.378]	3	1825058-6
	ADE03SA04	3.50 [.138]	9.60 [.378]	3	1825058-5
	ADE03S04	3.50 [.138]	9.60 [.378]	3	1825058-4
	ADE02SB04	3.50 [.138]	7.06 [.278]	2	1825058-3
	ADE02SA04	3.50 [.138]	7.06 [.278]	2	1825058-2
	ADE02S04	3.50 [.138]	7.06 [.278]	2	1825058-1
	T&B P/N	DIM H	DIM L	POSITION	PART NO.

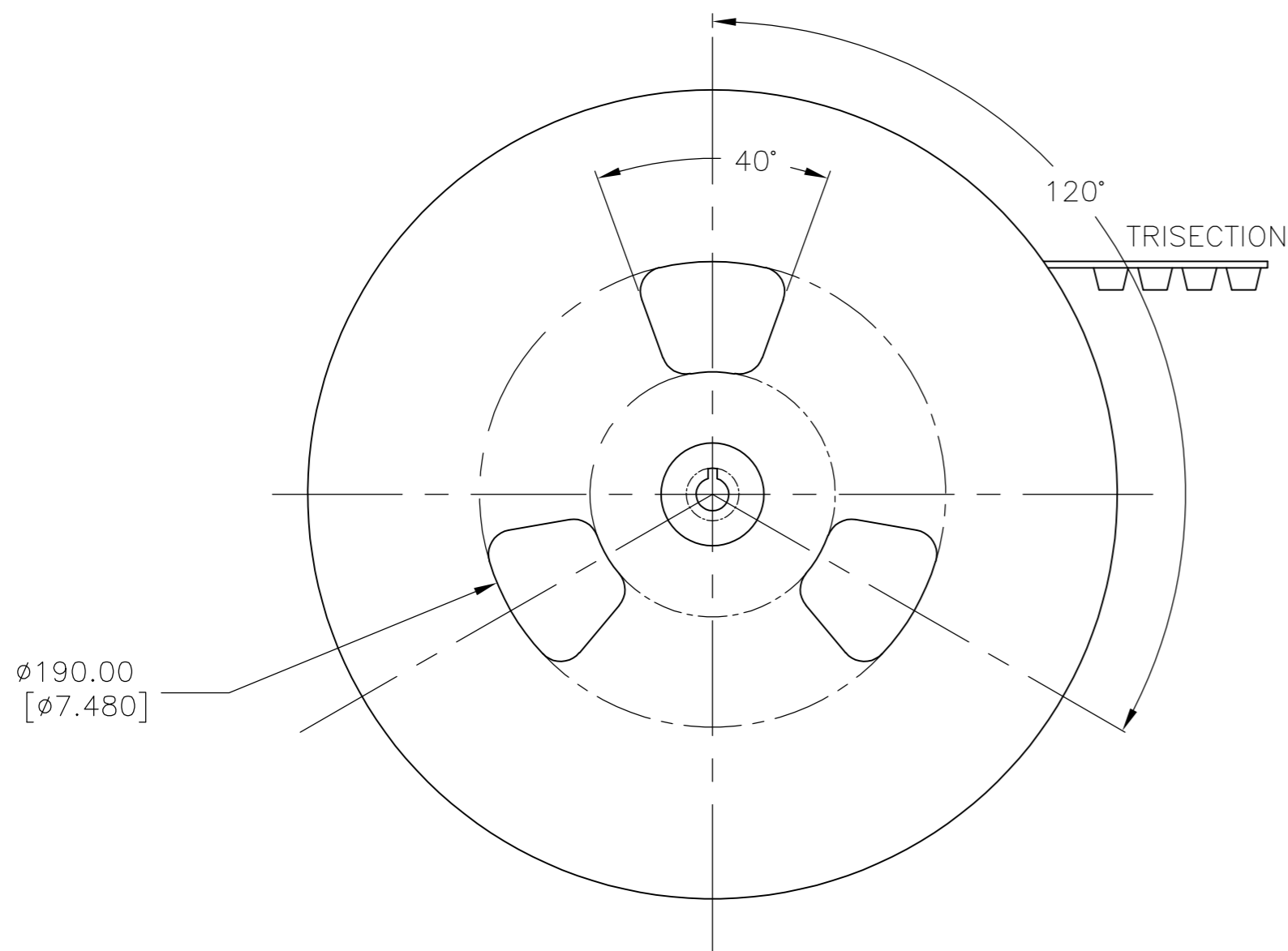
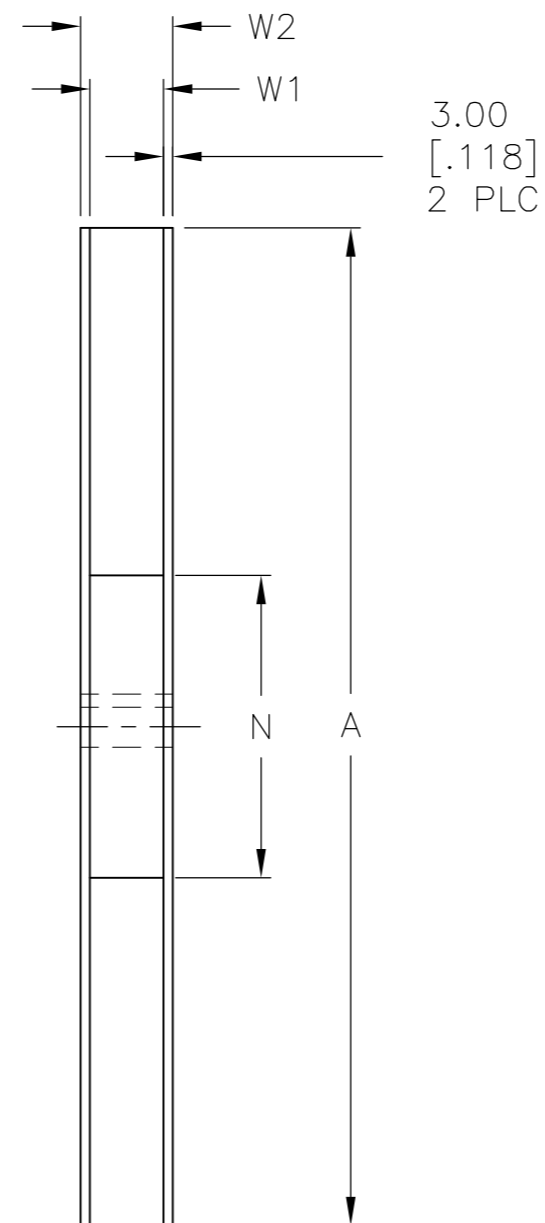
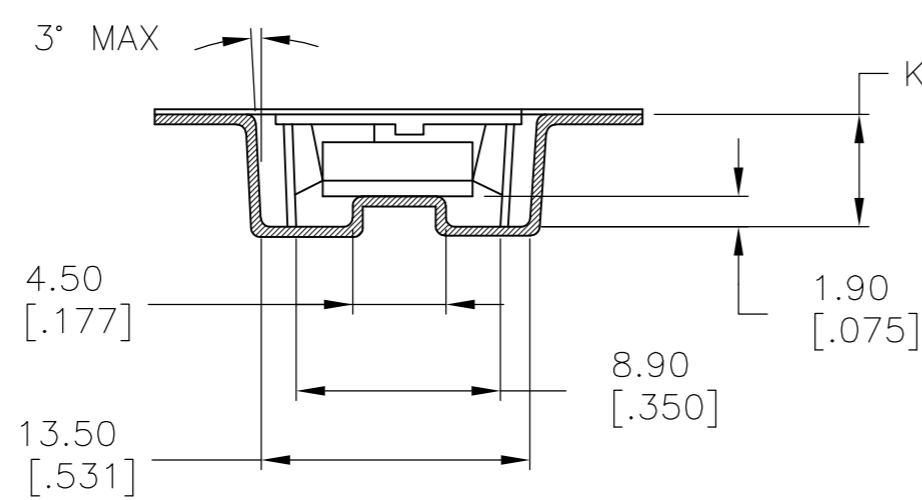
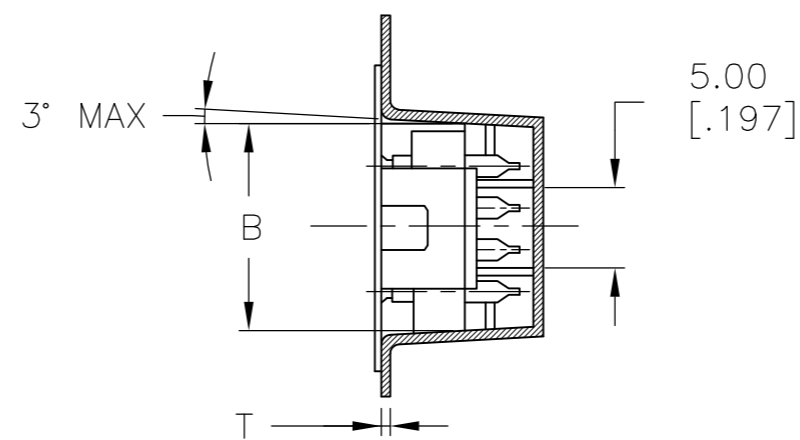
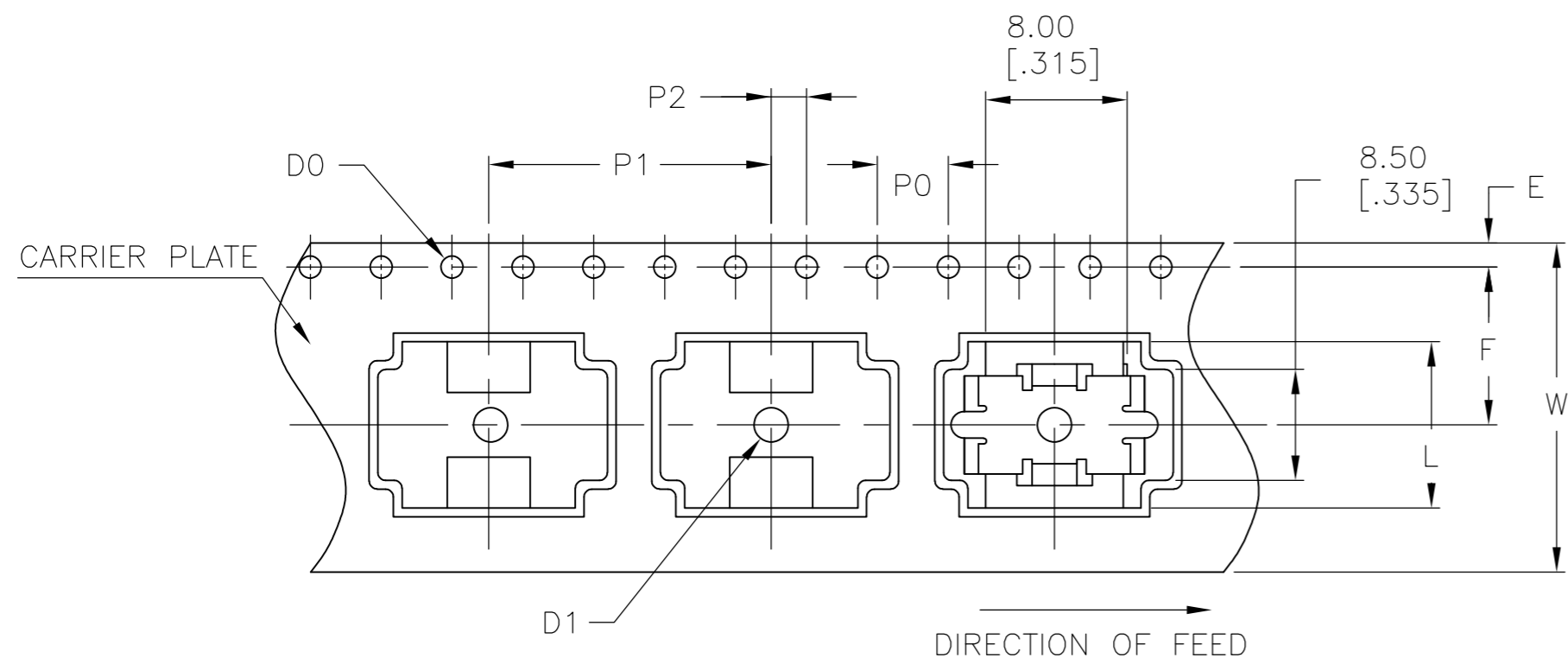
THIS DRAWING IS A CONTROLLED DOCUMENT. DWN B.S.VISWESWARA 10FEB05
 CHK M.SARVER
 APVD M.SARVER
 PRODUCT SPEC
 APPLICATION SPEC
 WEIGHT -
 CUSTOMER DRAWING

STE TE Connectivity
 DIP SWITCH, ADE-SMT SERIES

SIZE A2 CAGE CODE - DRAWING NO. C=1825058 RESTRICTED TO -
 SCALE 4:1 SHEET 2 OF 3 REV S1

THIS DRAWING IS UNPUBLISHED. RELEASED FOR PUBLICATION 1825058, 1825058
 © COPYRIGHT 1825058 By - ALL RIGHTS RESERVED.

LOC		DIST		REVISIONS				
P	LTR	DESCRIPTION	DATE	DWN	APVD			
AD	0							
		SEE SHEET 1						



	DESCRIPTION	MATERIAL	DIMENSION	FINISH	REMARKS
1	REEL	SIDE: CARDBOARD CORE: STYLOFOAM	MENTIONED BELOW		
2	EMBOSSSED TAPE	-	MENTIONED BELOW	ANTISTATIC	BLACK
3	TOP COVER TAPE	-	MENTIONED BELOW	ANTISTATIC	TRANSPARENT

4P	$\phi 330.00 \pm 2.10$ [12.992 ± 0.082]	$\phi 100$ [3.940]	$24.40^{+2.00}_0$ [.960 ± .790]	30.40 [1.997]
NO OF POSITION	A	N (MIN)	W1	W2 (MAX)

4P	$\phi 1.50^{+0.10}_0$ [.059 ± .003]	4.00 ± 0.10 [.157 ± .003]	16.00 ± 0.10 [.629 ± .003]	2.00 ± 0.15 [.078 ± .005]	11.50 ± 0.10 [.453 ± .003]	7.40 ± 0.10 [.291 ± .003]
NO OF POSITION	D1	P0	P1	P2	F	K

4P	24.00 ± 0.30 [.944 ± .011]	12.90 ± 0.10 [.507 ± .003]	1.75 ± 0.10 [.068 ± .003]	0.50 ± 0.05 [.020 ± .001]	12.14 ± 0.50 [.477 ± .020]	$\phi 1.50^{+0.10}_0$ [.059 ± .003]
NO OF POSITION	W	B	E	T	L	DO

THIS DRAWING IS A CONTROLLED DOCUMENT.

DWN: B.S.VISWESWARA 10FEB05
 CHK: M.SARVER
 APVD: M.SARVER
 PRODUCT SPEC: -
 APPLICATION SPEC: -
 WEIGHT: -

TE TE Connectivity

DIP SWITCH, ADE-SMT SERIES

SIZE: A2 CAGE CODE: - DRAWING NO: C=1825058 RESTRICTED TO: -
 SCALE: 4:1 SHEET: 3 OF 3 REV: S1

CUSTOMER DRAWING