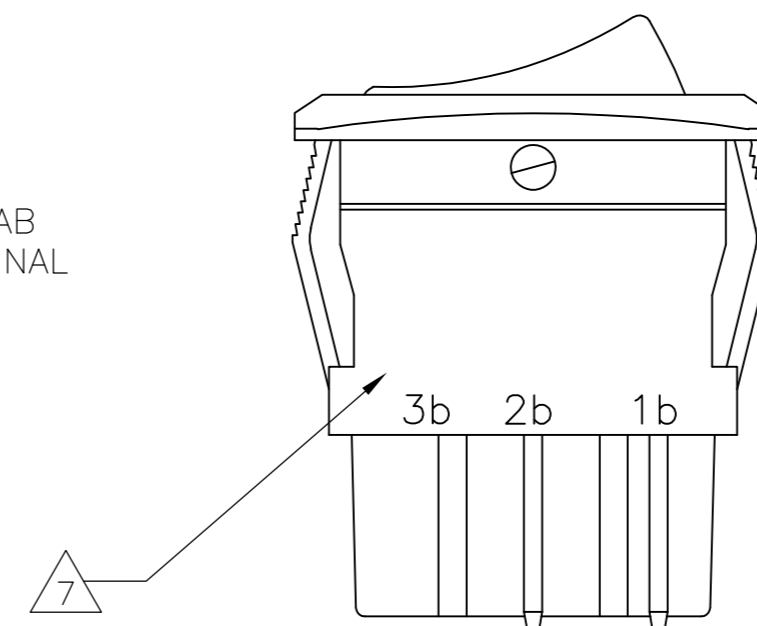
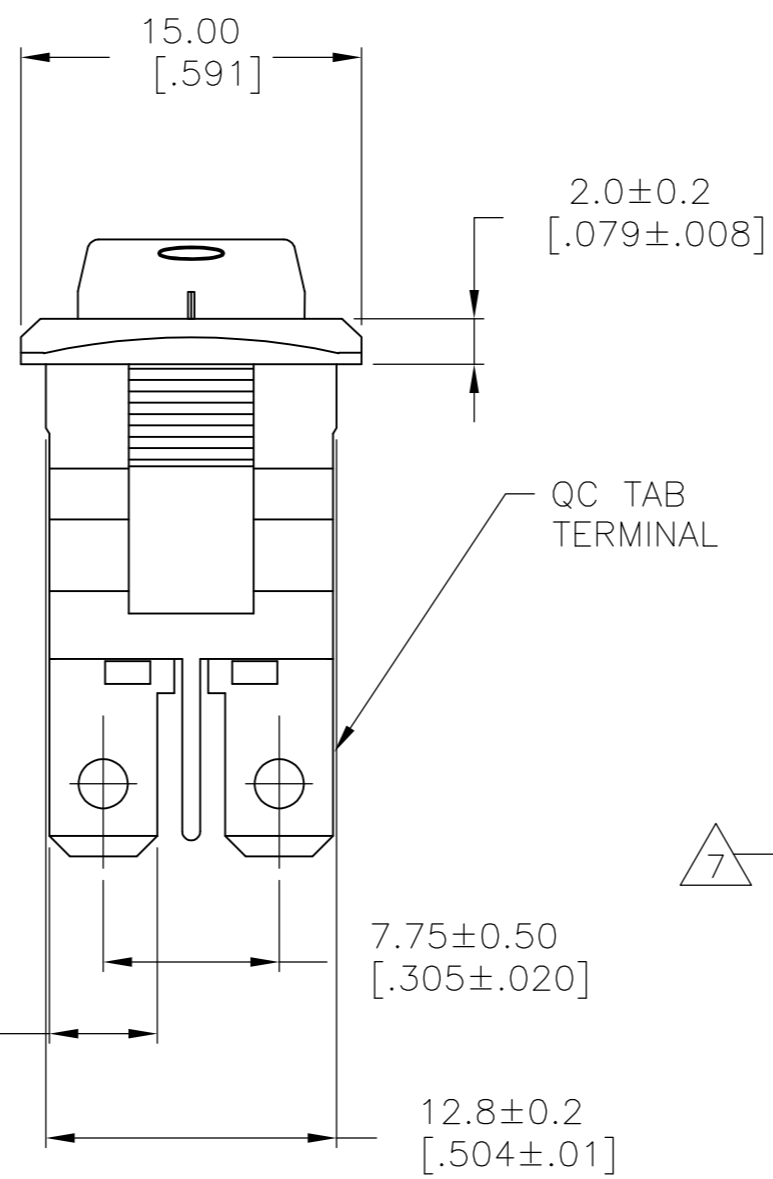
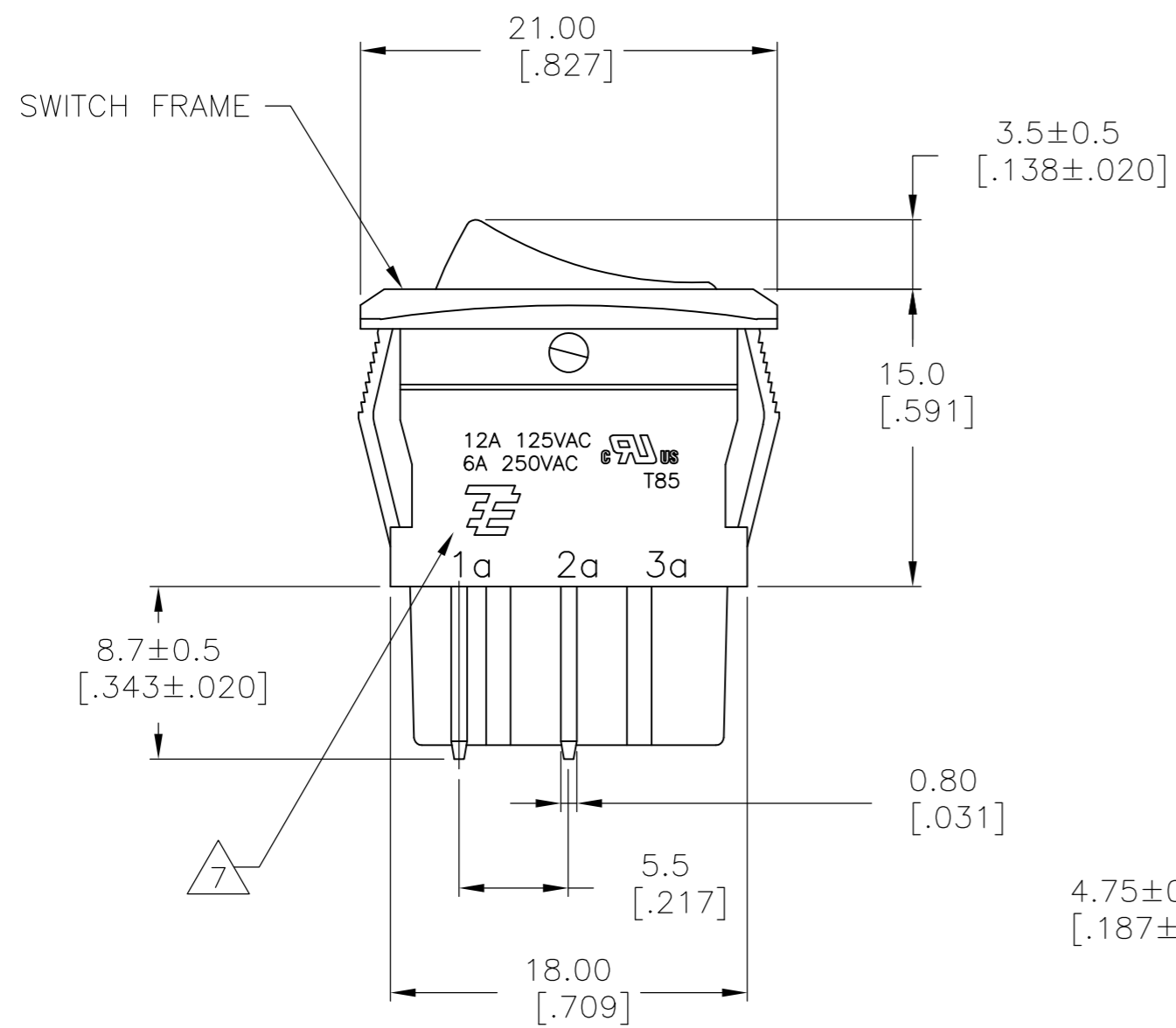
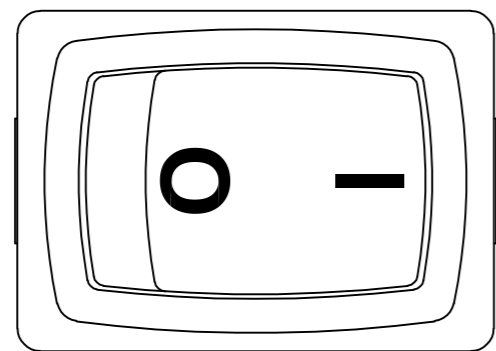
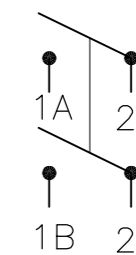


THIS DRAWING IS UNPUBLISHED. RELEASED FOR PUBLICATION
 © COPYRIGHT BY TYCO ELECTRONICS CORPORATION. ALL RIGHTS RESERVED.

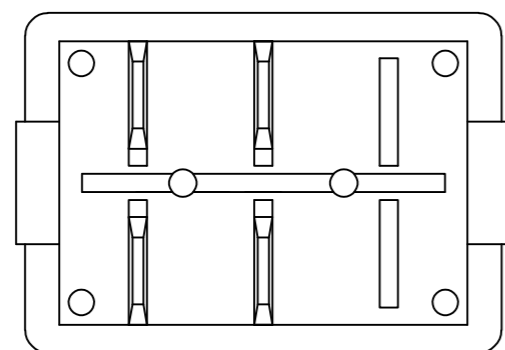
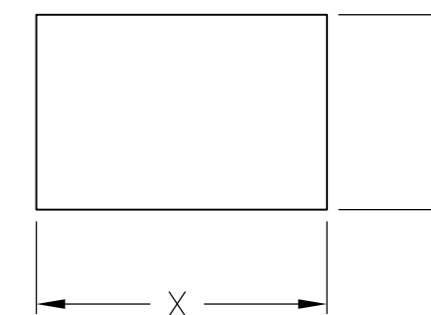
LOC		DIST		REVISIONS			
P	LTR	DESCRIPTION	DATE	DWN	APVD		
A		ECO-07-019301	21AUG07	MB	DR		



SWITCH FUNCTION A1
CIRCUIT DIAGRAM



PANEL CUT OUT



1977068-2 SHOWN

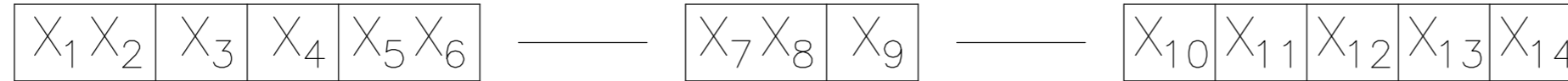
2.00-4.00 [.079-.158]	19.8-0.1 [.780-.004]	13.0+0.1 [.512+.004]
1.25-2.00 [.049-.079]	19.4-0.1 [.764-.004]	13.0+0.1 [.512+.004]
0.75-1.25 [.030-.049]	19.2-0.1 [.756-.004]	13.0+0.1 [.512+.004]
PANEL THICKNESS	X	Y

THIS DRAWING IS A CONTROLLED DOCUMENT.		DWN M. BINNER	03APR2007	Tyco Electronics Corporation Harrisburg, Pa 17105-3608	
DIMENSIONS: mm [INCHES]	TOLERANCES UNLESS OTHERWISE SPECIFIED:	CHK D.ROHDE	APVD -	NAME POWER ROCKER SWITCH, 13.0mm X 19.2mm PANEL CUT-OUT SIZE, DOUBLE POLE, SINGLE THROW, FOUR TERMINALS, NON-ILLUMINATED	
	0 PLC ± -	PRODUCT SPEC	NOT APPLICABLE		
	1 PLC ± 0.30 [.012]	APPLICATION SPEC	NOT APPLICABLE		
MATERIAL	FINISH	WEIGHT	SIZE A2	CAGE CODE 00779	DRAWING NO C=1977068
CUSTOMER DRAWING		SCALE 3:1	SHEET 1	OF 2	REV A

THIS DRAWING IS UNPUBLISHED. RELEASED FOR PUBLICATION
 © COPYRIGHT BY TYCO ELECTRONICS CORPORATION. ALL RIGHTS RESERVED.

LOC	DIST	REVISIONS			
P	LTR	DESCRIPTION	DATE	DWN	APVD
AD	00	SEE SHEET 1	-	-	-

LEGACY PART NUMBER



SWITCH TYPE: X1 X2 = PR - POWER ROCKER

SECONDARY ROCKER COLOR: X12 = Ø - NOT APPLICABLE

NOMINAL PANEL CUT OUT SIZE: X3 = A - 13.0x19.2
 [.512x.756]
 NUMBER OF POLES: X4 = D - DOUBLE

SWITCH FUNCTION: X5 X6 = A1 - ON-OFF, WITH OPAQUE,
 SINGLE-COLOR ROCKER
 BUTTON.

LEGEND TEXT PATTERN: X13 =

CURRENT RATING: X7 X8 = 12 - △6

TERMINAL TYPE: X9 = F - QC TAB

LEGEND TEXT COLOR: X14 =

- Ø - NOT APPLICABLE
- G - GREEN
- R - RED
- B - BLACK
- W - WHITE

FRAME COLOR: X10 = B - BLACK
W - WHITE

ROCKER COLOR: X11 =

- B - BLACK
- G - GREEN
- R - RED
- W - WHITE

- 1. **MATERIALS:**
 ROCKER BUTTON & HOUSING FRAME: NYLON 66, UL 94 V-2.
 TERMINAL, ACTIVE CONTACTOR: COPPER ALLOY PER ASTM B152/B152M
 PLUNGER: BRASS PER ASTM B036
 SPRING: STEEL WIRE PER ASTM A228/A228M
- 2. **FINISH:**
 PLUNGER: 1.02µm[.000040]MIN NICKEL
- 3. **ELECTRICAL SPECIFICATIONS:**
 CURRENT AND VOLTAGE: △6
 CONTACT RESISTANCE (INITIAL): <100mΩ
 DIELECTRIC STRENGTH (INITIAL): >1000 VAC, 1 MINUTE
 INSULATION RESISTANCE (INITIAL): >100MΩ (500 VDC BETWEEN OPEN CONTACTS)
 ELECTRICAL LIFE ENDURANCE: >6000 OPERATIONS, VOLTAGE DROP: <100mV
 TEMPERATURE RISE AT TERMINALS: <30°C, 6000 OPERATIONS
 (AMBIENT CONDITIONS: 25±2°C AND 65±5%R.H)
- 4. **MECHANICAL SPECIFICATIONS:**
 ACTUATING FORCE: 400g MIN, 800g MAX
 OPERATING LIFE ENDURANCE: >100,000 OPERATIONS
 TERMINAL RETENTION FORCE: >6.8kg- QC TAB

- 5. **ENVIRONMENTAL SPECIFICATIONS:**
 AMBIENT TEMPERATURE: -20°C TO +85°C
 HUMIDITY: MAX 85%
 SALT SPRAY: NO REMARKABLE RUST ON METAL PARTS
 (5% SALT/ 35°C, 24HRS)
 SHOCK: NO MECHANICAL DEFECT OR DAMAGE
 (500G 11MSEC / X,Y,Z, 3 TIMES)
- 6. 12A@125VAC/6A@250VAC
- 7. ELECTRICAL RATINGS, APPROVED AGENCY LOGOS, TERMINAL IDENTIFICATION NUMBERS, AND THE TE LOGO MOLDED APPROXIMATELY AS SHOWN ON THE SIDES OF THE SWITCH HOUSING.
- 8. COMPONENT RECOGNIZED TO US & CANADIAN STANDARDS, UL FILE NO. E46765.
- 9. ROHS 2002/95/EC COMPLIANT.

PRADA1-12F-BROBW	1977068-5
PRADA1-12F-BR000	1977068-4
PRADA1-12F-BBOCW	1977068-3
PRADA1-12F-BBOBW	1977068-2
PRADA1-12F-BB000	1977068-1
LEGACY PART NUMBER	PART NUMBER

THIS DRAWING IS A CONTROLLED DOCUMENT.		DWN M. BINNER	03APR2007	Tyco Electronics Corporation Harrisburg, Pa 17105-3608	
DIMENSIONS: mm [INCHES]		CHK D.ROHDE	APVD -	NAME POWER ROCKER SWITCH, 13.0mm X 19.2mm PANEL CUT-OUT SIZE, DOUBLE POLE, SINGLE THROW, FOUR TERMINALS, NON-ILLUMINATED	
TOLERANCES UNLESS OTHERWISE SPECIFIED:		PRODUCT SPEC NOT APPLICABLE		SIZE A2	
0 PLC ± -		APPLICATION SPEC NOT APPLICABLE		CAGE CODE 00779	
1 PLC ± 0.30[.012]		WEIGHT -		DRAWING NO C=1977068	
2 PLC ± 0.05[.002]		MATERIAL <u>△1</u>		RESTRICTED TO -	
3 PLC ± -		FINISH <u>△2</u>		SCALE 3:1	
4 PLC ± -		CUSTOMER DRAWING		SHEET 2 OF 2	
ANGLES ± -				REV A	