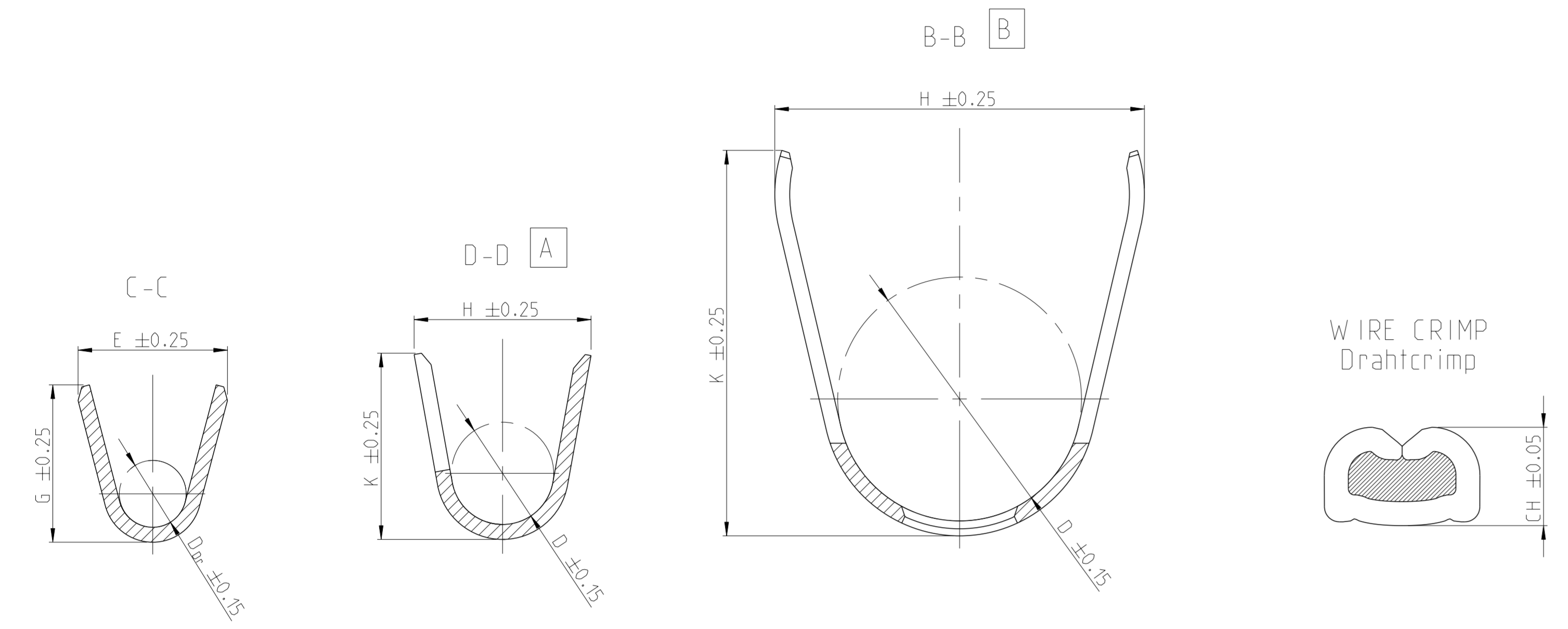


NOTES
Bemerkungen

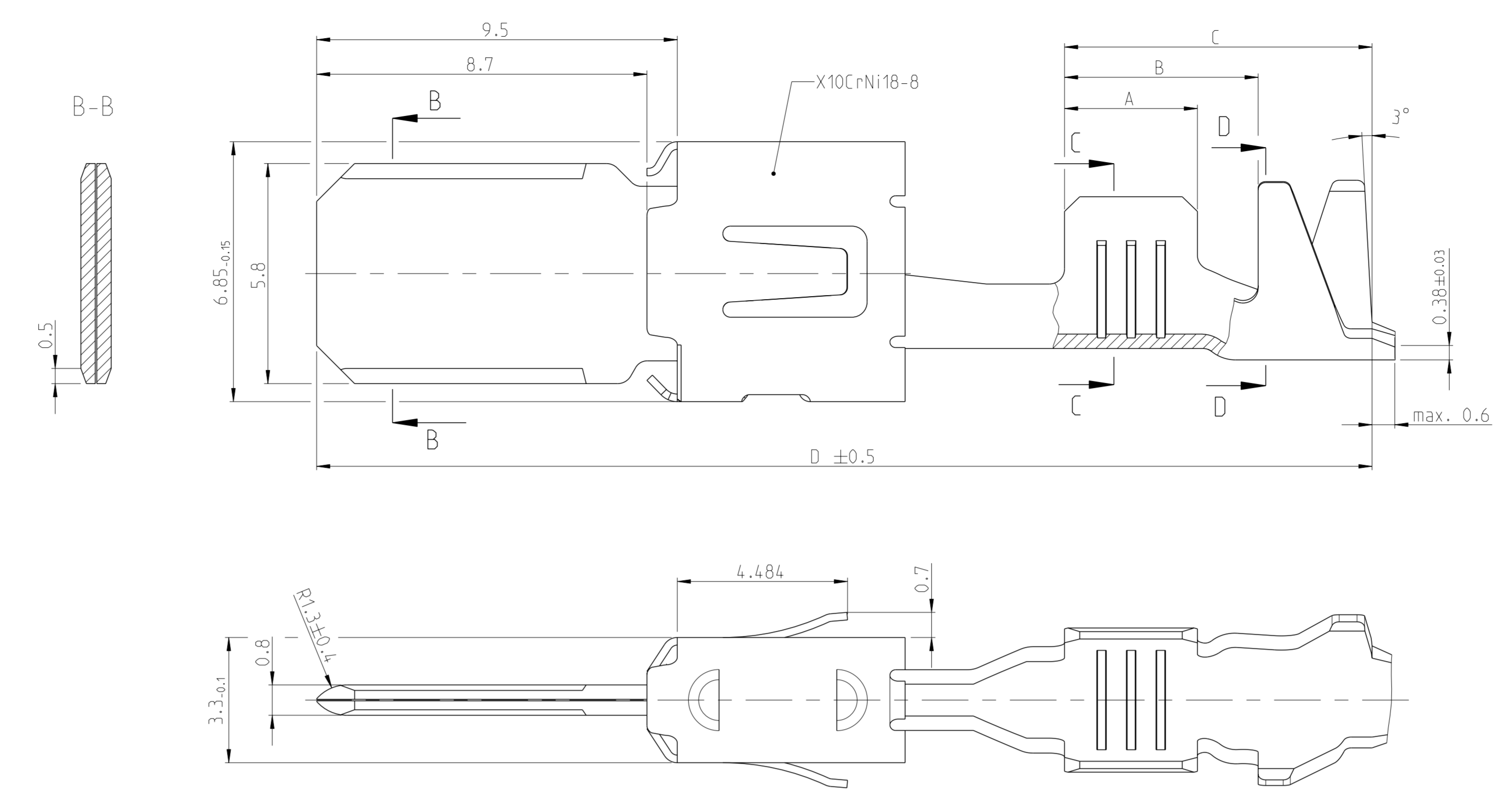
CONTACT AREA PRE SILVER MIN. 3µm
OTHER AREA PRE SILVER MIN. 1µm
SPRING BLANK
Kontaktzone vorversilbert min. 3µm
uebriger Bereich vorversilbert min. 1µm
Ueberfeder blank

PRE TIN MIN. 1µm
SPRING BLANK
Vorverzinkt min. 1µm
Ueberfeder blank



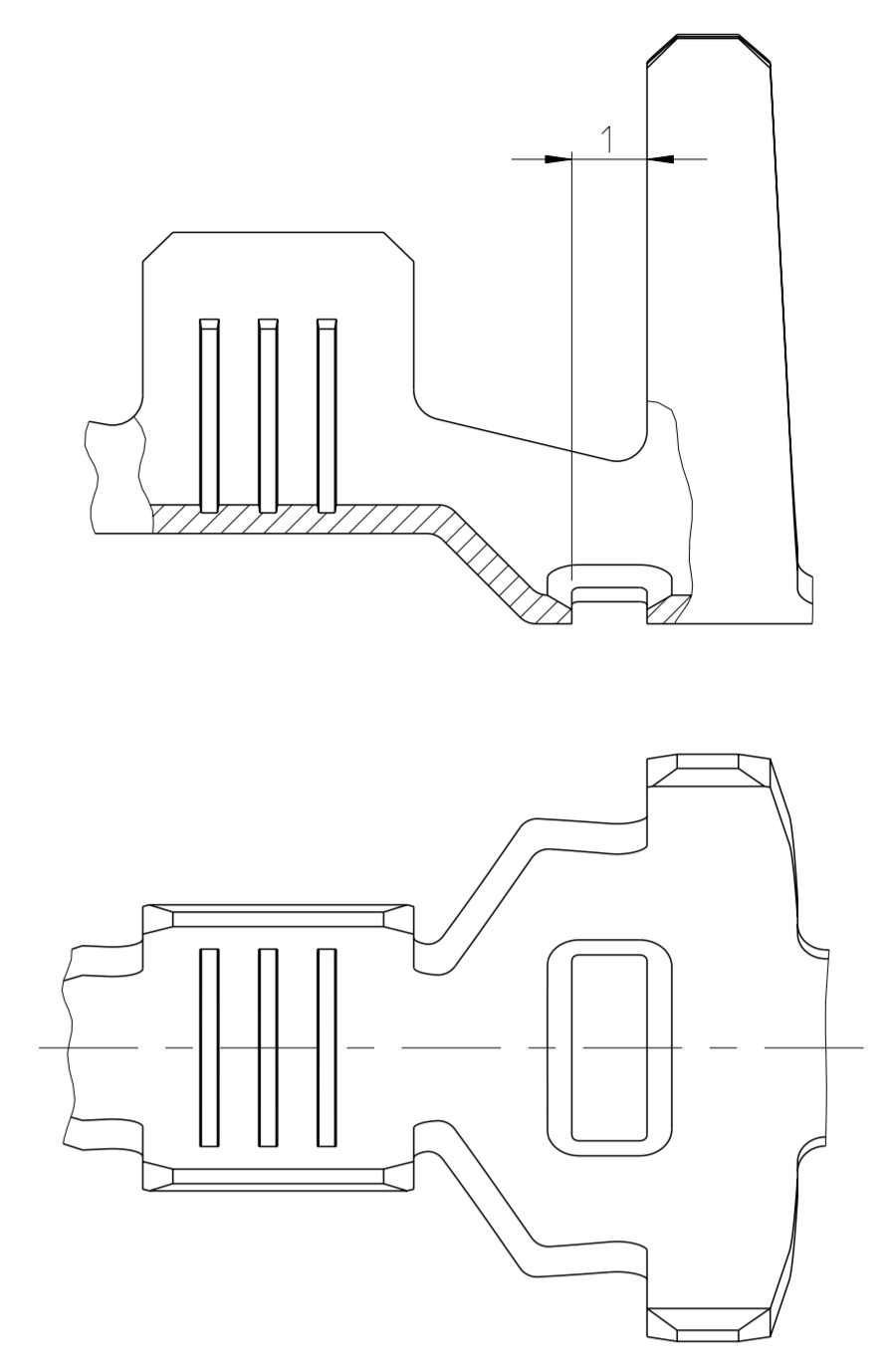
FLR-/FLK-WIRE
FLR-/FLK-Leitung

DESIGN 1
Ausfuehrung 1

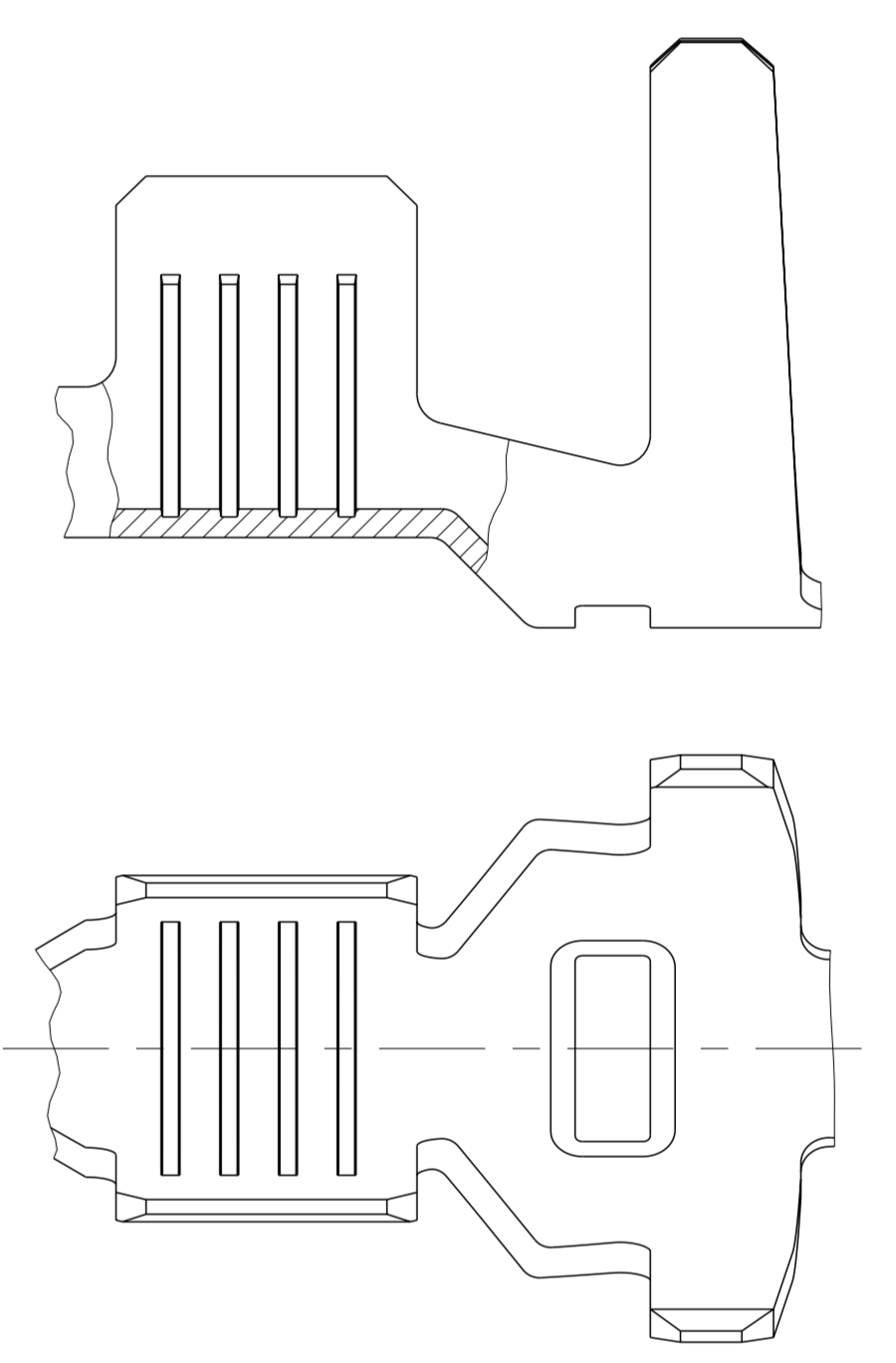


SINGLE WIRE SEAL
Einzeldichtungssystem

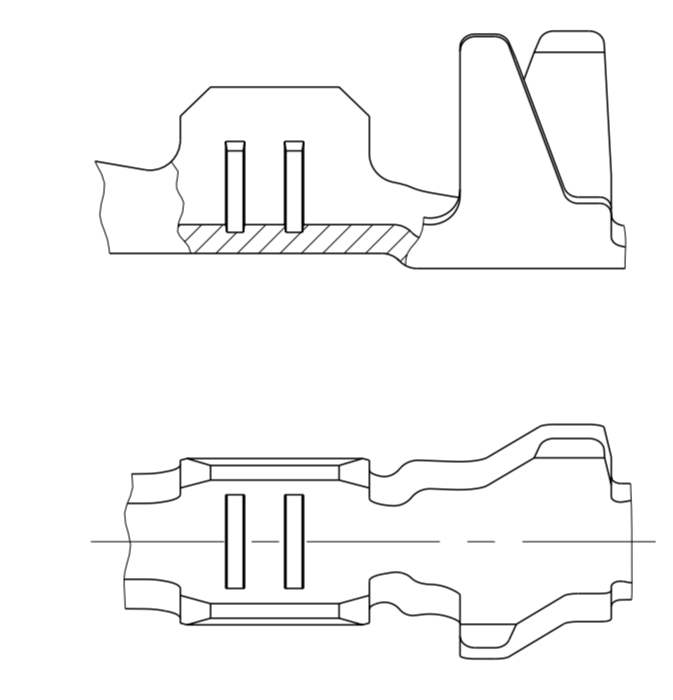
DESIGN 5
Ausfuehrung 5



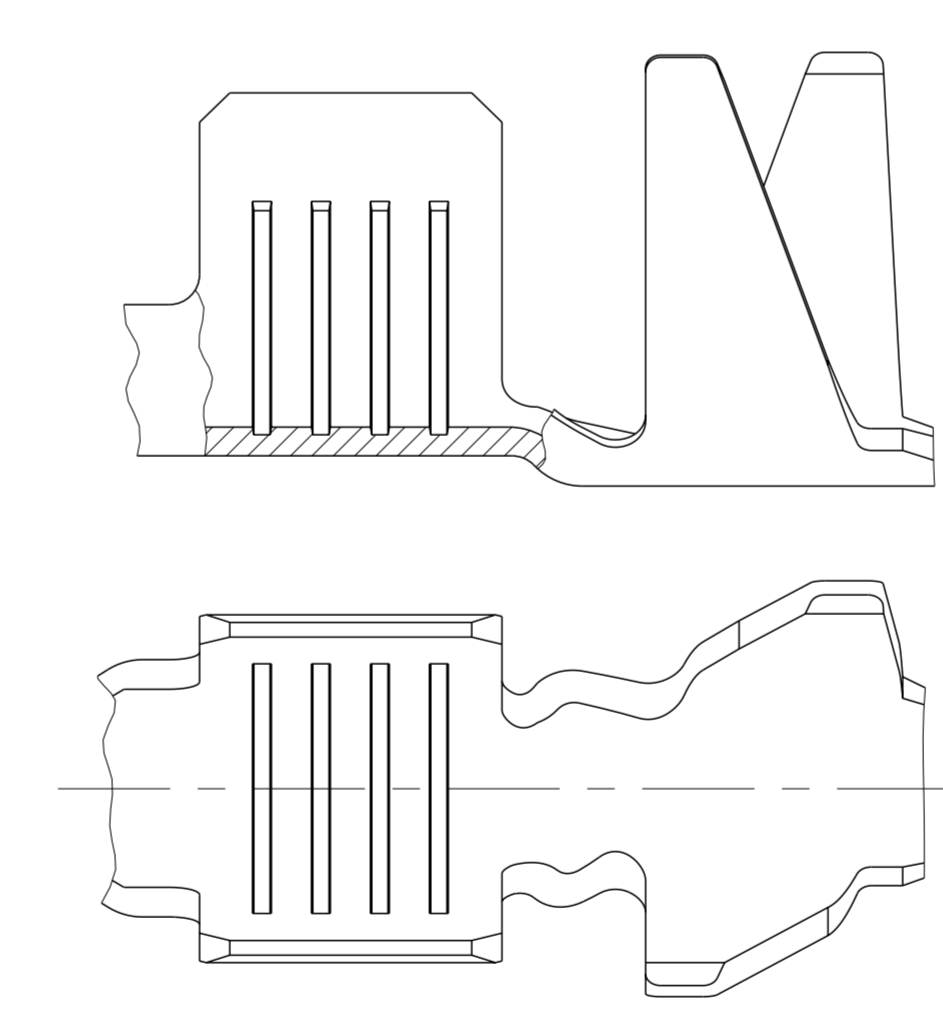
DESIGN 6
Ausfuehrung 6



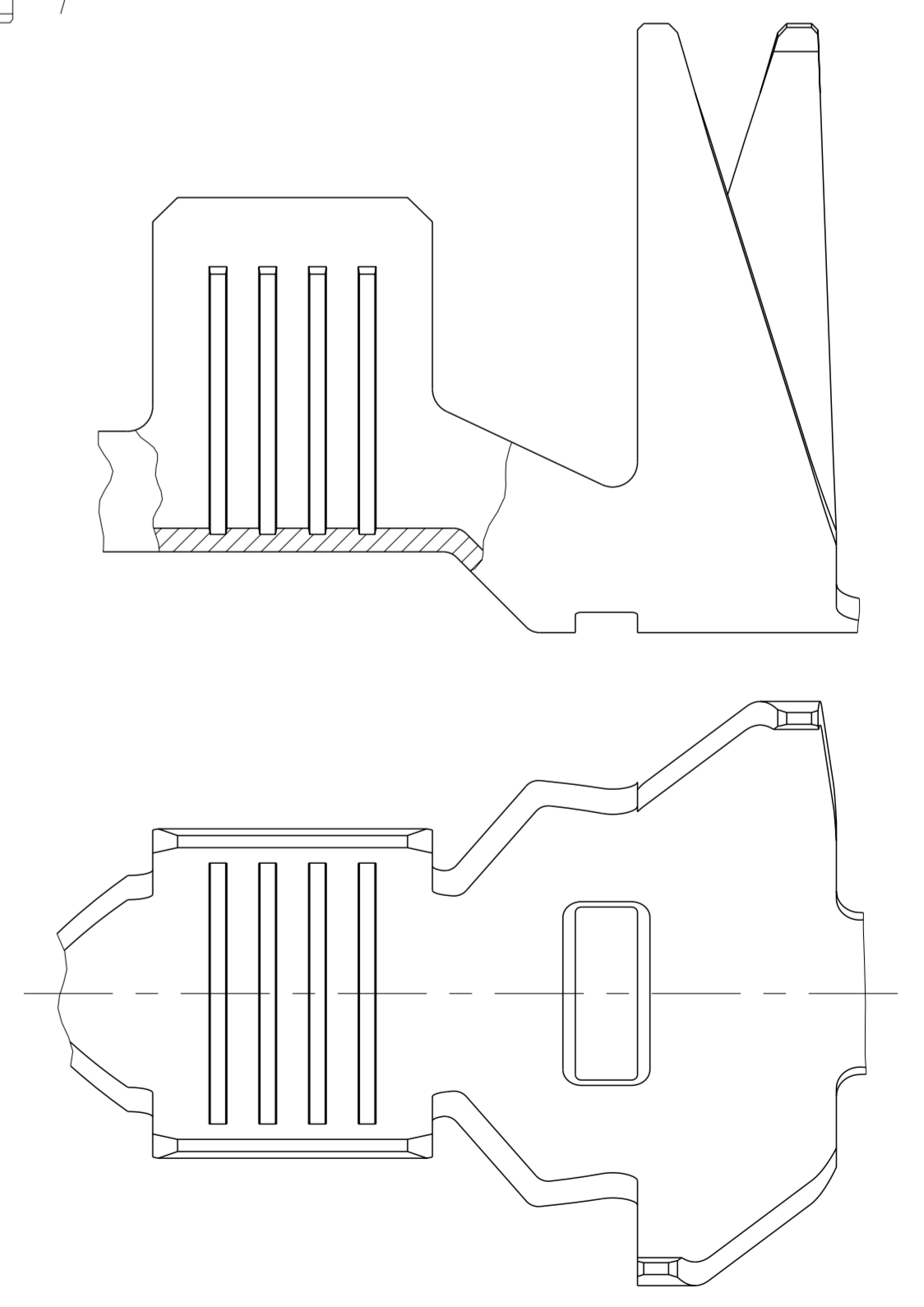
DESIGN 2
Ausfuehrung 2



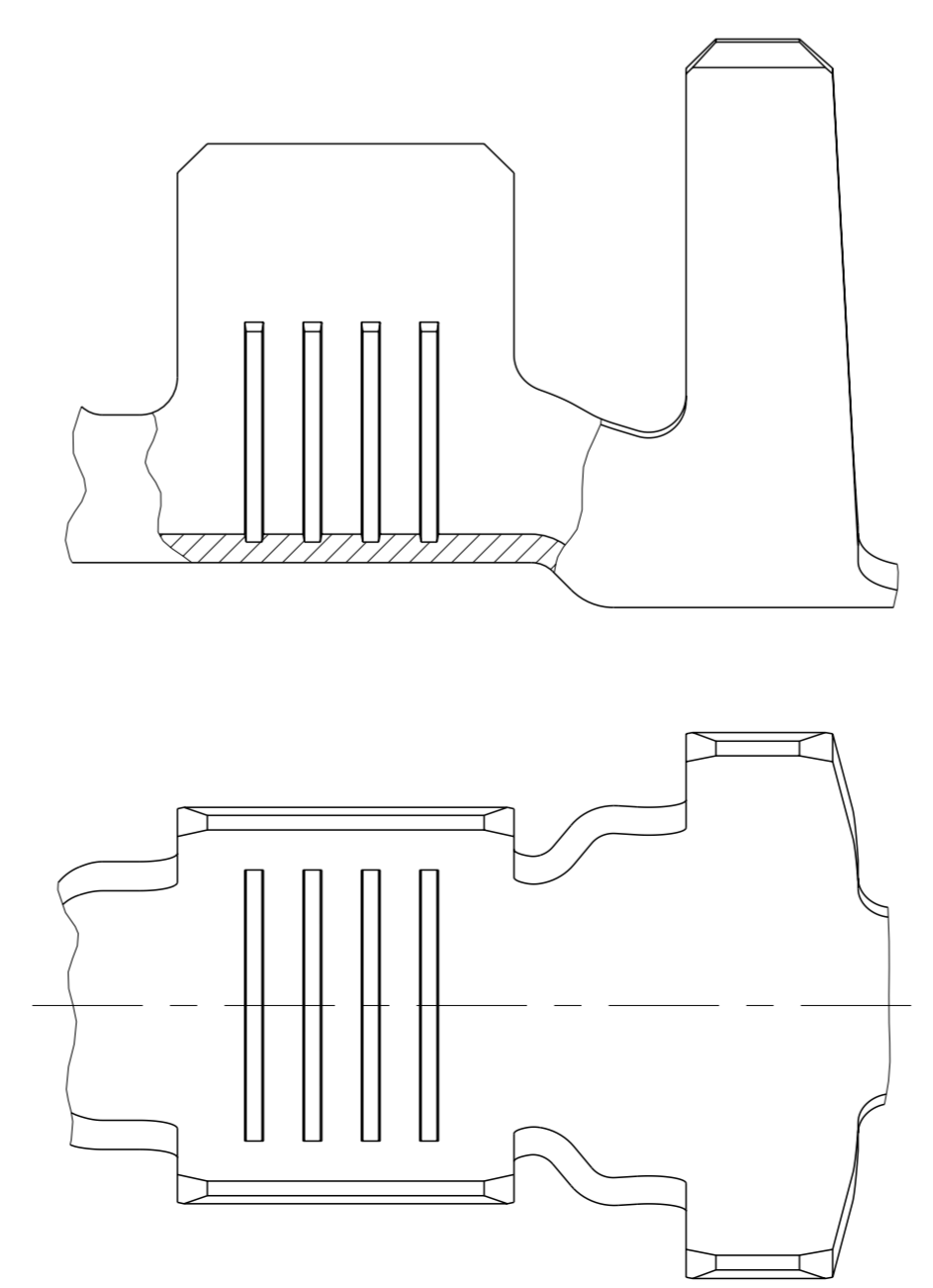
DESIGN 3
Ausfuehrung 3



DESIGN 7
Ausfuehrung 7



DESIGN 4
Ausfuehrung 4



| SINGLE WIRE SEAL / Einzeldichtungssystem | Part No. | Rev. | Design | Material | Surface | DGB | SEE / siehe | SEE / siehe | SEE / siehe | Application Tool | Extraction Tool | A | B | C | D |
|---|-------------|----------|--------|----------|-----------|---|---|-------------------------------|---|------------------|-----------------|-----|-----|------|------|
| | | | | | | | SECTION A-A | SECTION B-B | WIRE CRIMP | | | | | | |
| SINGLE WIRE SEAL / Einzeldichtungssystem | 2-2112966-2 | A | 7 | CuFe2 | △ | 6.0 AWG 10 | E = 5.3 G = 5.7 D _{Dr} = 2.9 | H = 9.4 K = 9.8 D = 6.2 | 6.0 mm ² = 2.35 AWG 10 = 2.30 | 1855636-6 | | 4.5 | 7.8 | 11.0 | 29.3 |
| | 2-962919-2 | E | 6 | CuFe2 | △ | 4.0 | E = 4.6 G = 4.8 D _{Dr} = 2.3 | H = 7.8 K = 7.8 D = 5.5 | 4.0 mm ² = 2.34 | 2-878567-2 | | 4.0 | 7.1 | 9.1 | 28.3 |
| | 1-962919-2 | D | | 539757-2 | | | | | | | | | | | |
| | 1-962919-1 | D | | | | | | | | | | | | | |
| | 2-962918-2 | E | 5 | CuFe2 | △ | >1.0 - 2.5 | E = 3.8 G = 4.0 D _{Dr} = 1.7 | H = 7.8 K = 7.8 D = 5.5 | 2.5 mm ² = 1.97 2.0 mm ² = 1.83 1.5 mm ² = 1.69 | 2-878566-2 | | 3.6 | 6.7 | 8.7 | 28.3 |
| | 2-962918-1 | E | | 539757-2 | | | | | | | | | | | |
| | 1-962918-2 | D | | | | | | | | | | | | | |
| | 1-962918-1 | D | | | | | | | | | | | | | |
| | 2-962917-1 | E | 5 | CuFe2 | △ | 0.5 - 1.0 | E = 2.8 G = 3.0 D _{Dr} = 1.1 | H = 7.8 K = 7.8 D = 5.5 | 1.0 mm ² = 1.56 0.75 mm ² = 1.47 0.5 mm ² = 1.38 | 2-878565-2 | | 3.0 | 6.1 | 8.1 | 28.3 |
| 1-962917-2 | D | 539757-2 | | | | | | | | | | | | | |
| 1-962917-1 | D | | | | | | | | | | | | | | |
| FLK-WIRE / FLK-Leitung | 2-968050-1 | A | 4 | CuFe2 | △ | 6.0 | E = 5.3 G = 5.6 D _{Dr} = 2.9 | H = 7.3 K = 7.6 D = 4.6 | 6.0 mm ² = 2.55 4.0 mm ² = 2.17 | 2-878968-2 | | 4.5 | 6.8 | 9.1 | 28.8 |
| | 1-968050-1 | A | | CuSn4 | △ | | | | | 4.0 | | | | | |
| | 2-962846-1 | D | 3 | CuFe2 | △ | 4.0 | E = 4.6 G = 4.8 D _{Dr} = 2.4 | H = 6.7 K = 7.0 D = 4.0 | 4.0 mm ² = 2.33 | 2-878564-2 | | 4.0 | 6.0 | 10.8 | 30.5 |
| | 1-962846-2 | C | | CuSn4 | △ | | | | | | | | | | |
| | 1-962846-1 | C | | | | | | | | | | | | | |
| | 1-962845-2 | D | 1 | CuSn4 | △ | >1.0 - 2.5 | E = 3.8 G = 4.0 D _{Dr} = 1.7 | H = 5.7 K = 5.9 D = 3.2 | 2.5 mm ² = 1.97 2.0 mm ² = 1.83 1.5 mm ² = 1.69 | 2-878563-2 | | 3.6 | 5.2 | 9.0 | 28.7 |
| 1-962845-1 | D | 539759-2 | | | | | | | | | | | | | |
| FLR-WIRE / FLR-Leitung | 2-968050-2 | A | 4 | CuFe2 | △ | 6.0 | E = 5.3 G = 5.6 D _{Dr} = 2.9 | H = 7.3 K = 7.6 D = 4.6 | 6.0 mm ² = 2.35 | 2836646 | | 4.5 | 6.8 | 9.1 | 28.8 |
| | 2-963736-2 | C | | CuSn4 | △ | | | | | 4.0 | | | | | |
| | 2-963736-1 | C | 3 | CuFe2 | △ | 4.0 | E = 4.6 G = 4.8 D _{Dr} = 2.3 | H = 5.5 K = 5.7 D = 3.2 | 4.0 mm ² = 2.33 | 2-878562-2 | | 4.0 | 5.9 | 9.3 | 29.0 |
| | 1-963736-2 | B | | CuSn4 | △ | | | | | | | | | | |
| | 1-963736-1 | B | | | | | | | | | | | | | |
| | 2-963735-2 | C | 1 | CuFe2 | △ | >1.0 - 2.5 | E = 3.8 G = 4.0 D _{Dr} = 1.7 | H = 4.5 K = 4.7 D = 2.6 | 2.5 mm ² = 1.97 2.0 mm ² = 1.83 1.5 mm ² = 1.69 | 2-878561-2 | | 3.5 | 5.1 | 8.1 | 27.8 |
| | 2-963735-1 | C | | CuSn4 | △ | | | | | | | | | | |
| | 1-963735-2 | B | | | | | | | | | | | | | |
| | 2-963734-2 | C | 1 | CuFe2 | △ | 0.5 - 1.0 | E = 2.8 G = 3.0 D _{Dr} = 1.1 | H = 3.3 K = 3.5 D = 1.8 | 1.0 mm ² = 1.56 0.75 mm ² = 1.47 0.5 mm ² = 1.38 | 2-878654-2 | | 3.0 | 4.6 | 6.8 | 26.5 |
| | 2-963734-1 | C | | CuSn4 | △ | | | | | | | | | | |
| | 1-963734-2 | B | | | | | | | | | | | | | |
| | 1-963734-1 | B | | | | | | | | | | | | | |
| 2-965984-1 | A | 2 | CuFe2 | △ | 0.2 - 0.5 | E = 2.2 G = 2.2 D _{Dr} = 0.8 | H = 3.1 K = 3.1 D = 1.4 | | | | 2.5 | 3.7 | 5.7 | 26.5 | |
| 1-965984-1 | B | | CuSn4 | △ | | | | | | | | | | | |

| | | | | | |
|--|--|--|---|---|--|
| THIS DRAWING IS A CONTROLLED DOCUMENT. | | REV. 1 | DATE 01.07.2001 | BY T. Meierhofer | CHK T. Meierhofer |
| DIMENSIONS: mm | | TOLERANCES UNLESS OTHERWISE SPECIFIED: | | APPROVALS: | |
| MATERIAL: - | | FINISH: - | | SCALE: 10:1 | |
| TE ORDER-NO. STRIP FORM TE Bestellnr. Bandware | | REV. | DESIGN Ausfuehrung | MATERIAL Werkstoff | SURFACE Oberflaeche |
| WIRE CRIMP Drahtcrimp | | INSUL. CRIMP Isolationscrimp | WIRE CRIMP HEIGHT CH Drahtcrimphoehe CH | APPLICATION TOOL (MQC APPLICATOR HD) Anschlagwerkzeug | EXTRACTION TOOL Ausdrueckwerkzeug No. 726548-1 |
| CRIMP DIMENSIONS mm Crimpabmessungen mm | | WIRE CRIMP Drahtcrimp | | INSUL. CRIMP Isolationscrimp | |
| TE ORDER-NO. STRIP FORM TE Bestellnr. Bandware | | REV. | DESIGN Ausfuehrung | MATERIAL Werkstoff | SURFACE Oberflaeche |
| WIRE CRIMP Drahtcrimp | | INSUL. CRIMP Isolationscrimp | WIRE CRIMP HEIGHT CH Drahtcrimphoehe CH | APPLICATION TOOL (MQC APPLICATOR HD) Anschlagwerkzeug | EXTRACTION TOOL Ausdrueckwerkzeug No. 726548-1 |
| CRIMP DIMENSIONS mm Crimpabmessungen mm | | WIRE CRIMP Drahtcrimp | | INSUL. CRIMP Isolationscrimp | |

