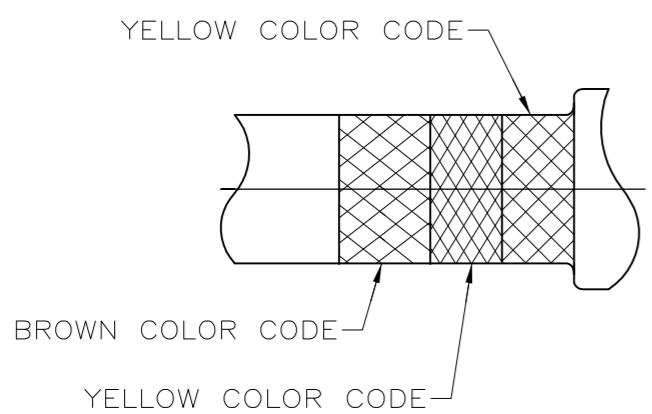
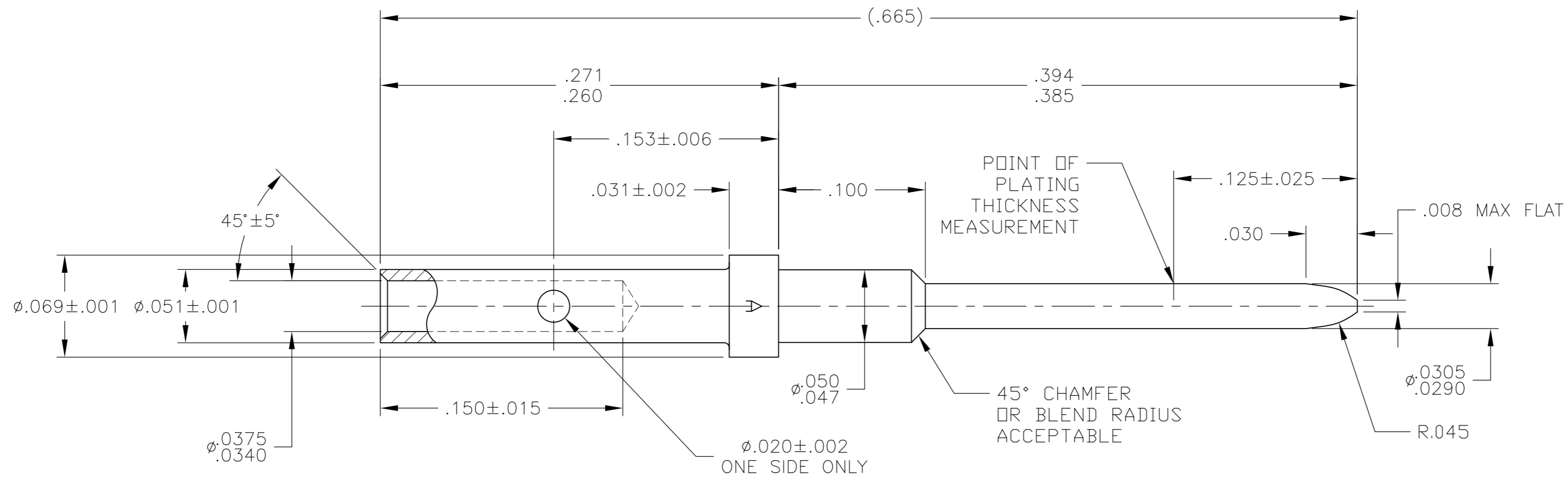


THIS DRAWING IS UNPUBLISHED. RELEASED FOR PUBLICATION
 © COPYRIGHT - By - ALL RIGHTS RESERVED.

LOC		DIST		REVISIONS			
P	LTR	DESCRIPTION		DATE	DWN	APVD	
	V	REV PER ECO 15-006139		4-22-15	CT	DE	



COLOR CODE DETAIL
 -4 ONLY
 (BIN CODE NO. 144)

YES	.000050 GOLD MIN PER ASTM-B-488 OVER NICKEL PER AMS-QQ-N-290	204873-4
NO	.000050 GOLD MIN PER ASTM-B-488 OVER NICKEL PER AMS-QQ-N-290	204873-2
COLOR CODE	FINISH	PART NO.

THIS DRAWING IS A CONTROLLED DOCUMENT.		DWN C.C.THOMAS 22APR2015	TE Connectivity	
DIMENSIONS: INCHES	TOLERANCES UNLESS OTHERWISE SPECIFIED:	CHK D.EABY 4-22-15	NAME CONTACT, PIN, SIZE 22	
	0 PLC ± -	APVD D.EABY 4-22-15	PRODUCT SPEC	
	1 PLC ± -	PRODUCT SPEC	-	
	2 PLC ± -	APPLICATION SPEC	-	
	3 PLC ± .005		SIZE	CAGE CODE
	4 PLC ± -		A2	00779
	ANGLES ± -		DRAWING NO	RESTRICTED TO
MATERIAL LEADED COPPER	FINISH SEE TABLE	WEIGHT -	C=204873	-
CUSTOMER DRAWING		SCALE 15:1	SHEET 1 of 1	REV V

Mouser Electronics

Authorized Distributor

Click to View Pricing, Inventory, Delivery & Lifecycle Information:

[TE Connectivity:](#)

[204873-4](#)