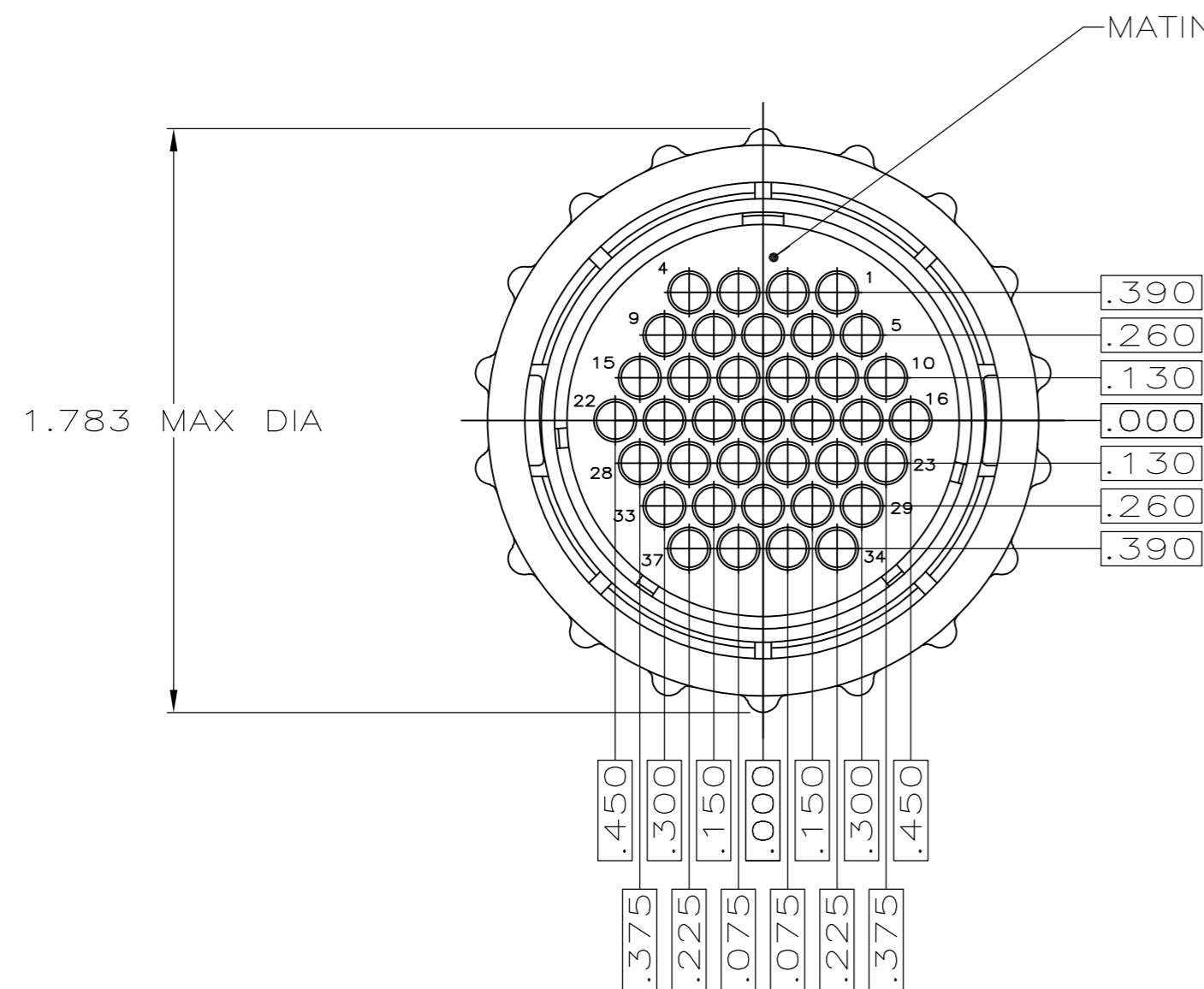
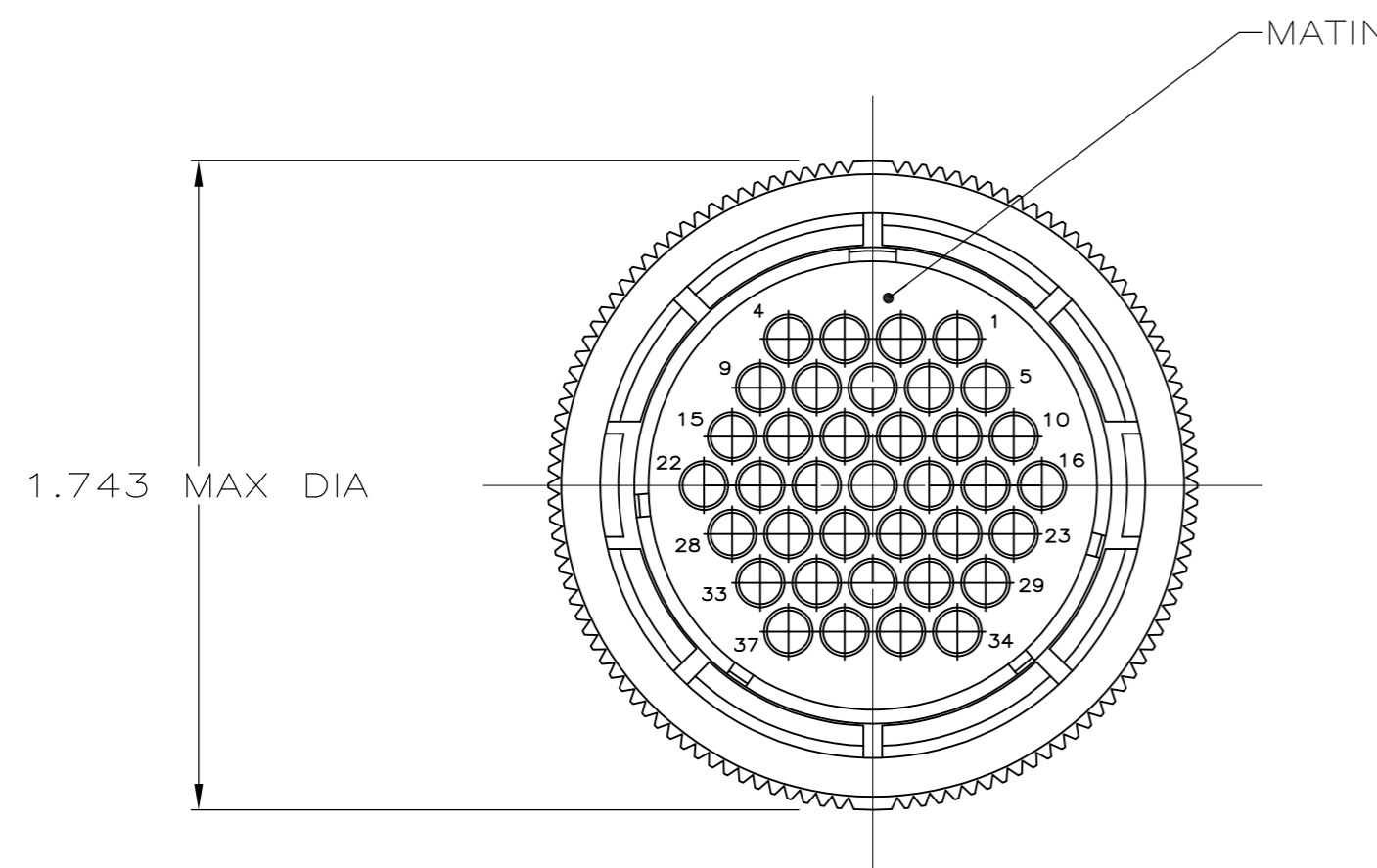
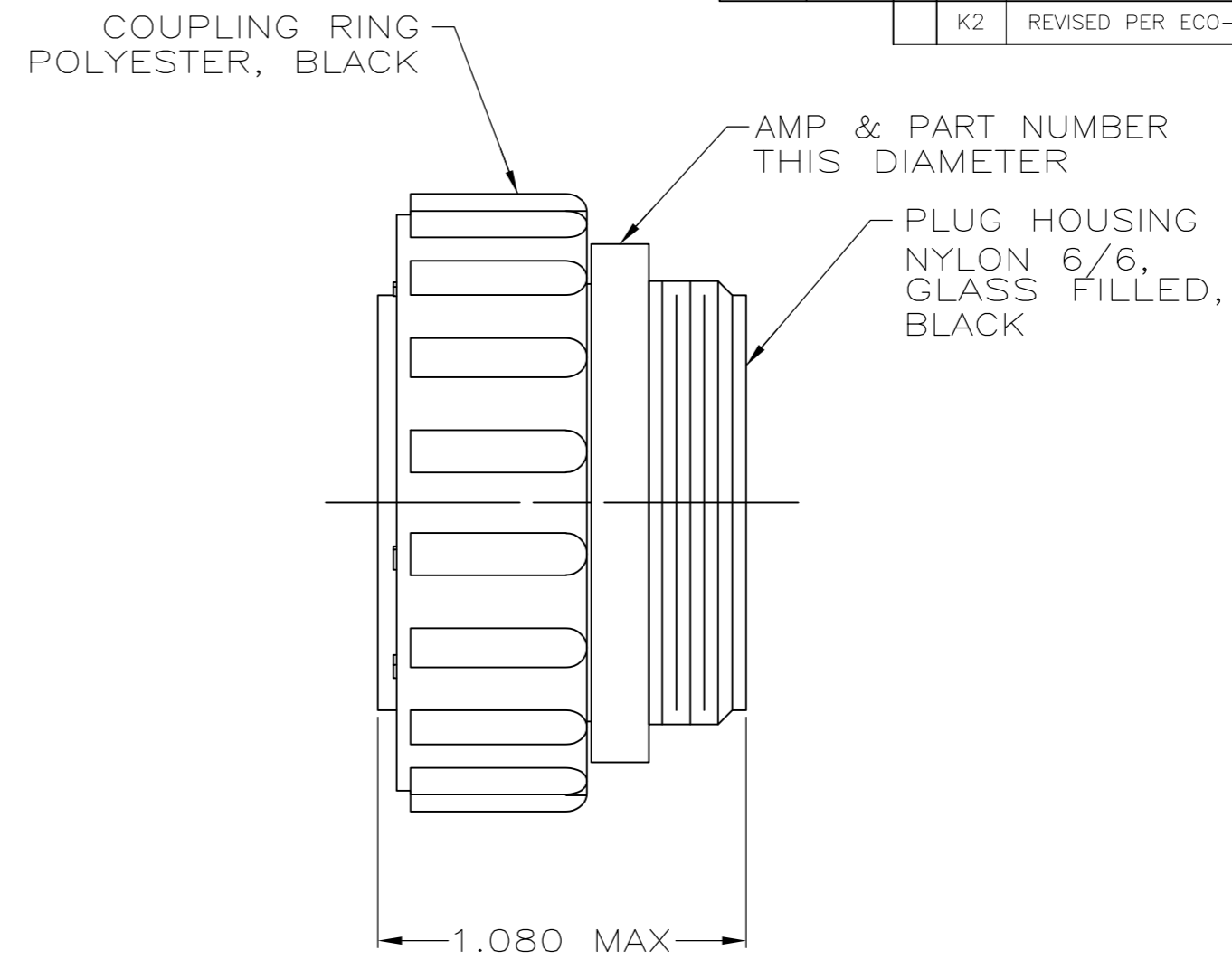


THIS DRAWING IS UNPUBLISHED. RELEASED FOR PUBLICATION
 © COPYRIGHT - By - ALL RIGHTS RESERVED.

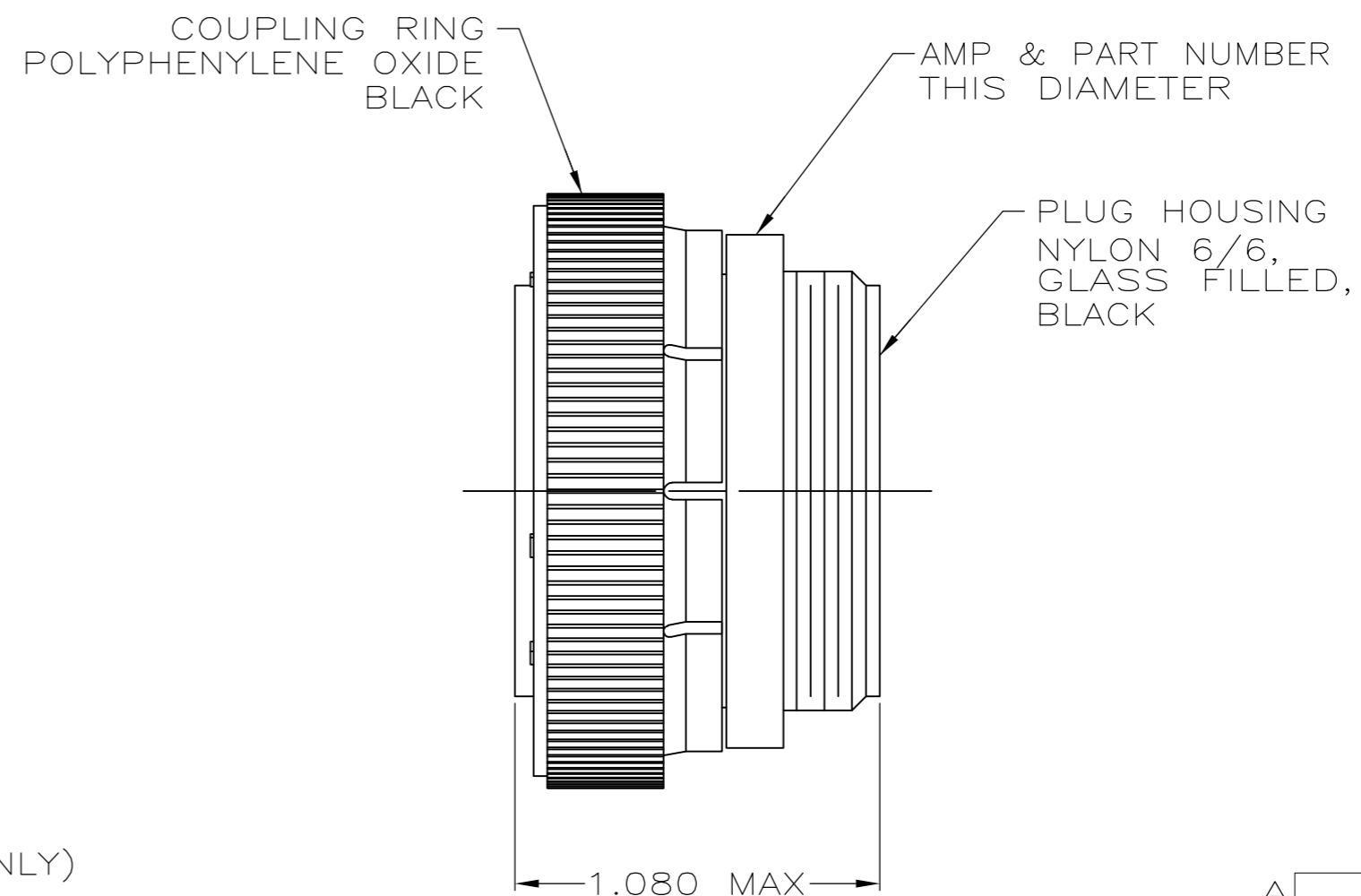
LOC		DIST		REVISIONS			
P	LTR	DESCRIPTION		DATE	DWN	APVD	
FT	0	K2	REVISED PER ECO-11-004587	11MAR11	RK	HMR	



(206150-1, -2 & -6 ONLY)



(206150-3 ONLY)



- CONTACT CAVITIES IDENTIFIED BY CHARACTERS ON FRONT AND REAR FACES OF CONNECTOR.
 - THIS CONNECTOR WILL ACCEPT (37) MULTIMATE SOCKET CONTACTS.
- 3 WHITE DOT NEAR POSITION 1 ON WIRE ENTRY FACE.

STANDARD	206150-6
STANDARD	206150-3
SMALL PACK	206150-2
STANDARD	206150-1
PACKAGING	PART NUMBER

THIS DRAWING IS A CONTROLLED DOCUMENT.		DWN	S.RIDGLEY	BG	8/2/90	TE Connectivity	
DIMENSIONS: INCHES		CHK	R.STONE		4-26-91	PLUG ASSEMBLY, SHELL SIZE 23, STANDARD SEX, SERIES 1, CPC	
TOLERANCES UNLESS OTHERWISE SPECIFIED:		APVD				SIZE	CAGE CODE
0 PLC ± -		PRODUCT SPEC				A2	00779
1 PLC ± -		APPLICATION SPEC				DRAWING NO	C=206150
2 PLC ± -						RESTRICTED TO	
3 PLC ± -		WEIGHT				SCALE	2:1
4 PLC ± -						SHEET	1 of 1
ANGLES ± -		CUSTOMER DRAWING				REV	K2
FINISH							
SEE CALLOUT							

Mouser Electronics

Authorized Distributor

Click to View Pricing, Inventory, Delivery & Lifecycle Information:

[TE Connectivity:](#)

[206150-1](#)