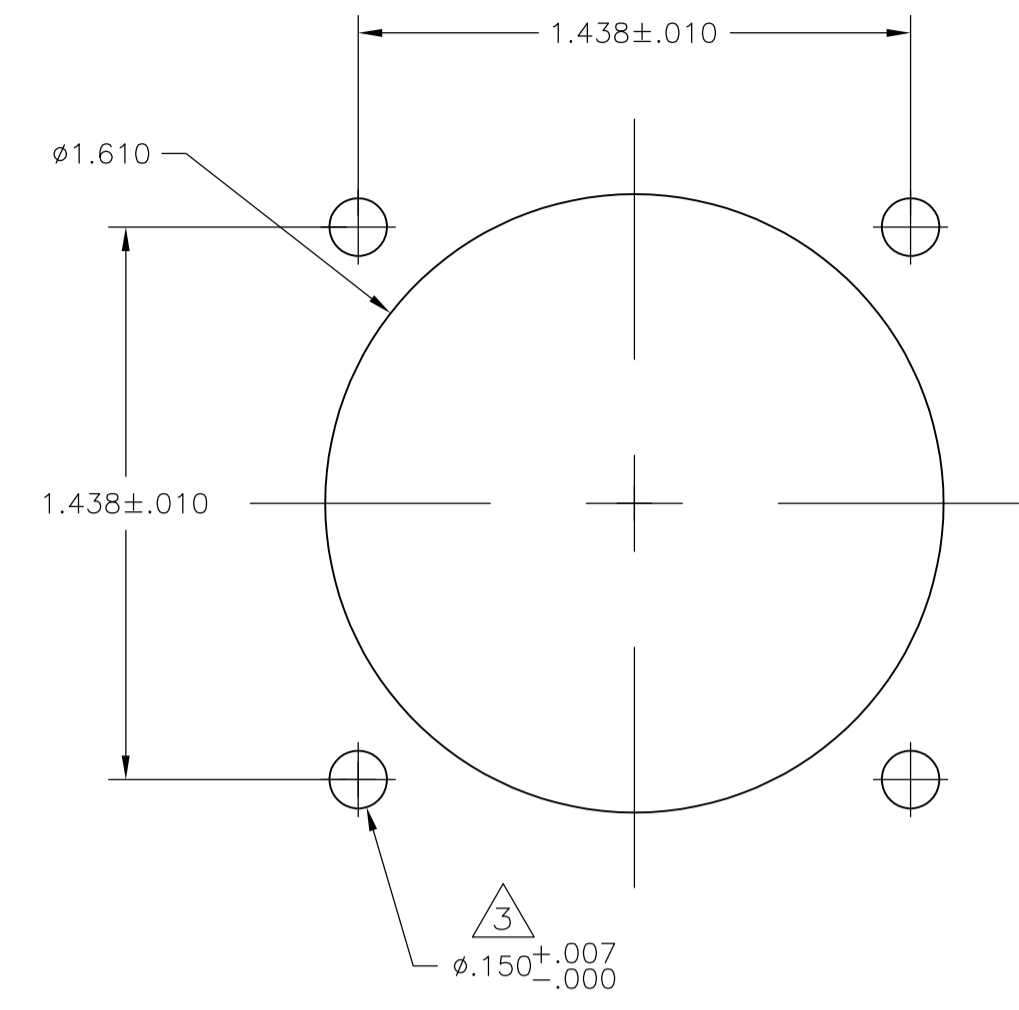
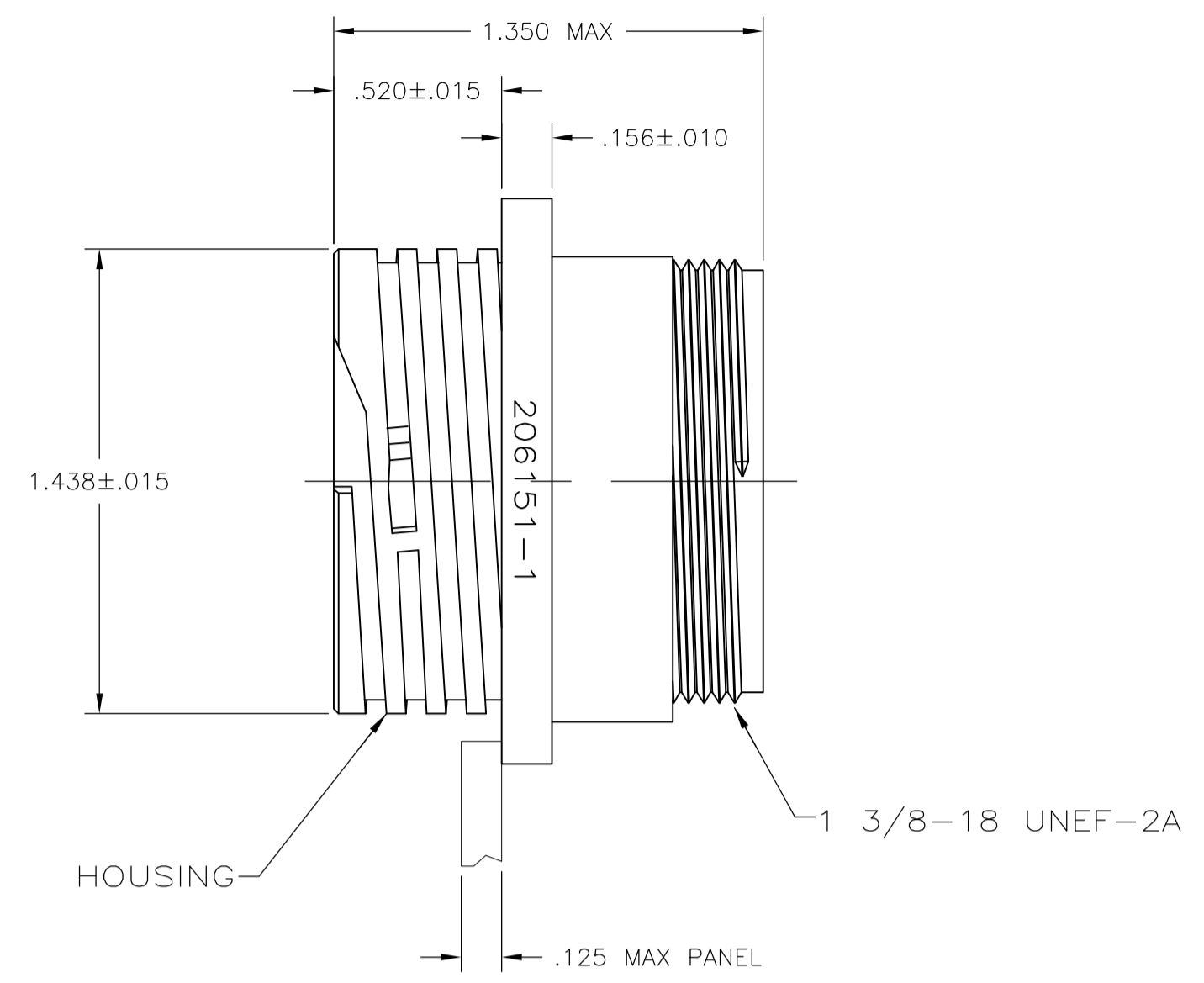
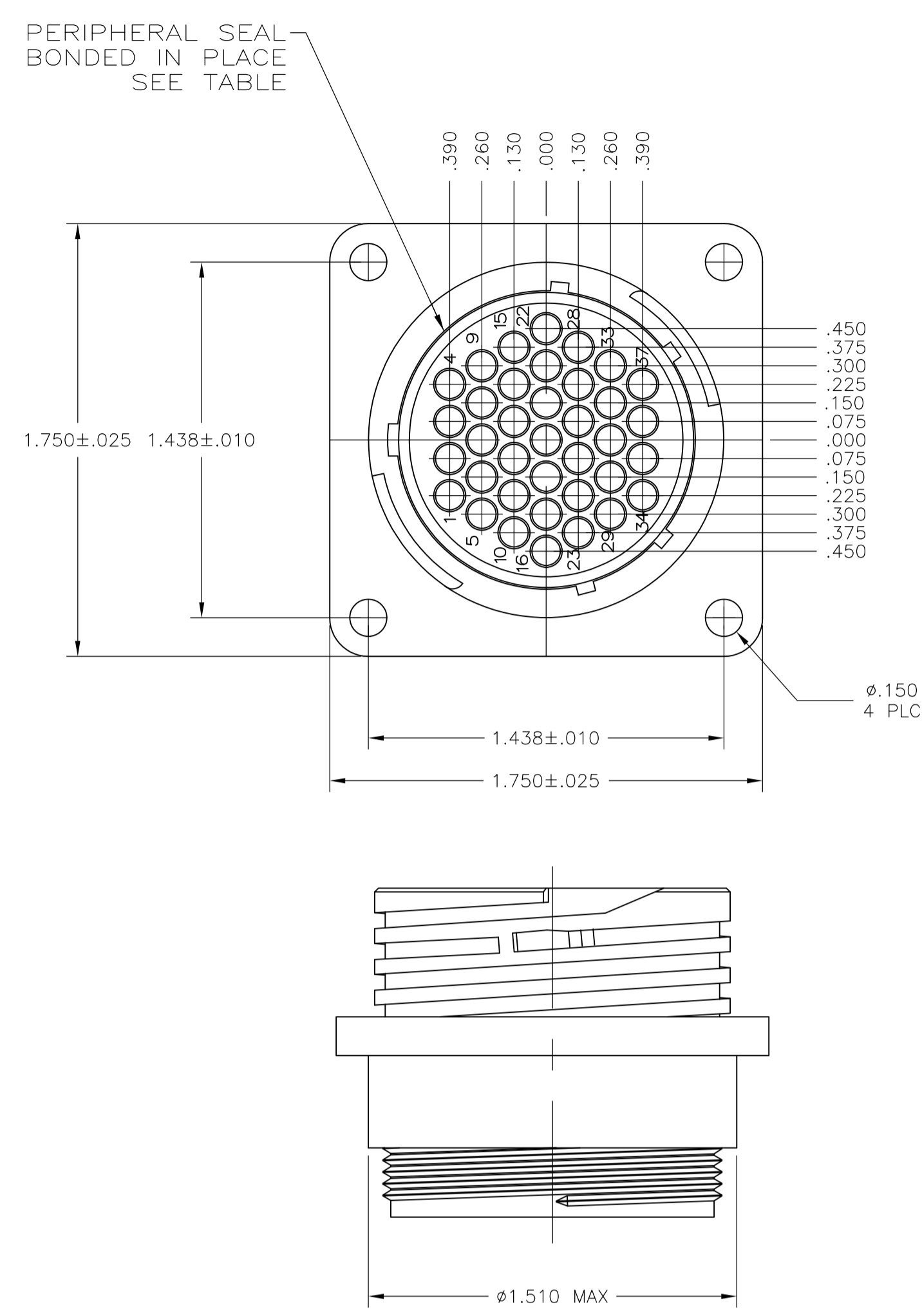
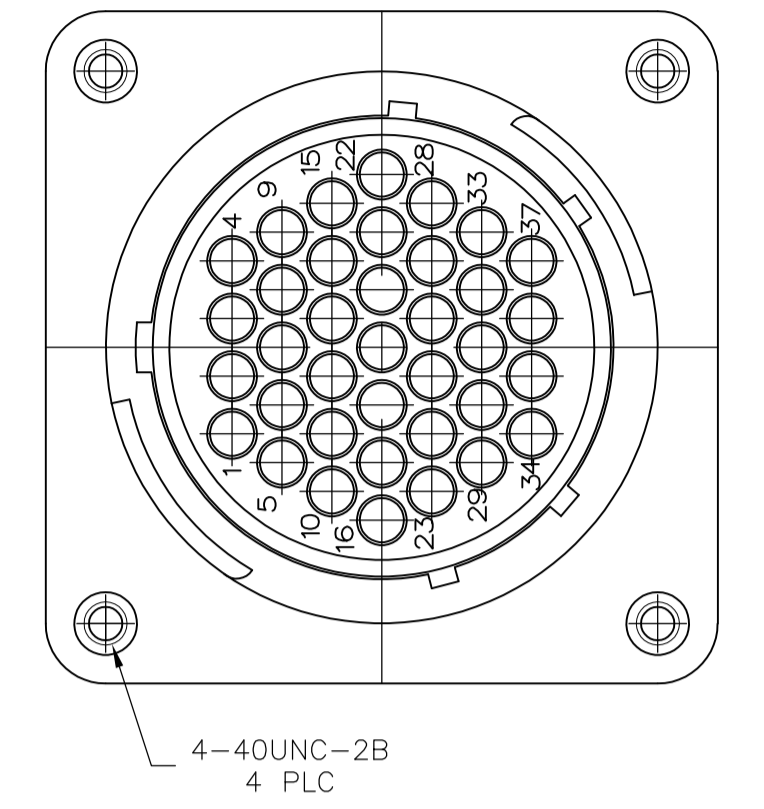


| LOC | | DIST | | REVISIONS | | | |
|-----|---|------|-----|---------------------------|---------|-----|------|
| FT | 0 | P | LTR | DESCRIPTION | DATE | DWN | APVD |
| M | | | | REVISED PER ECO-12-015521 | 28SEP12 | KH | MZ |

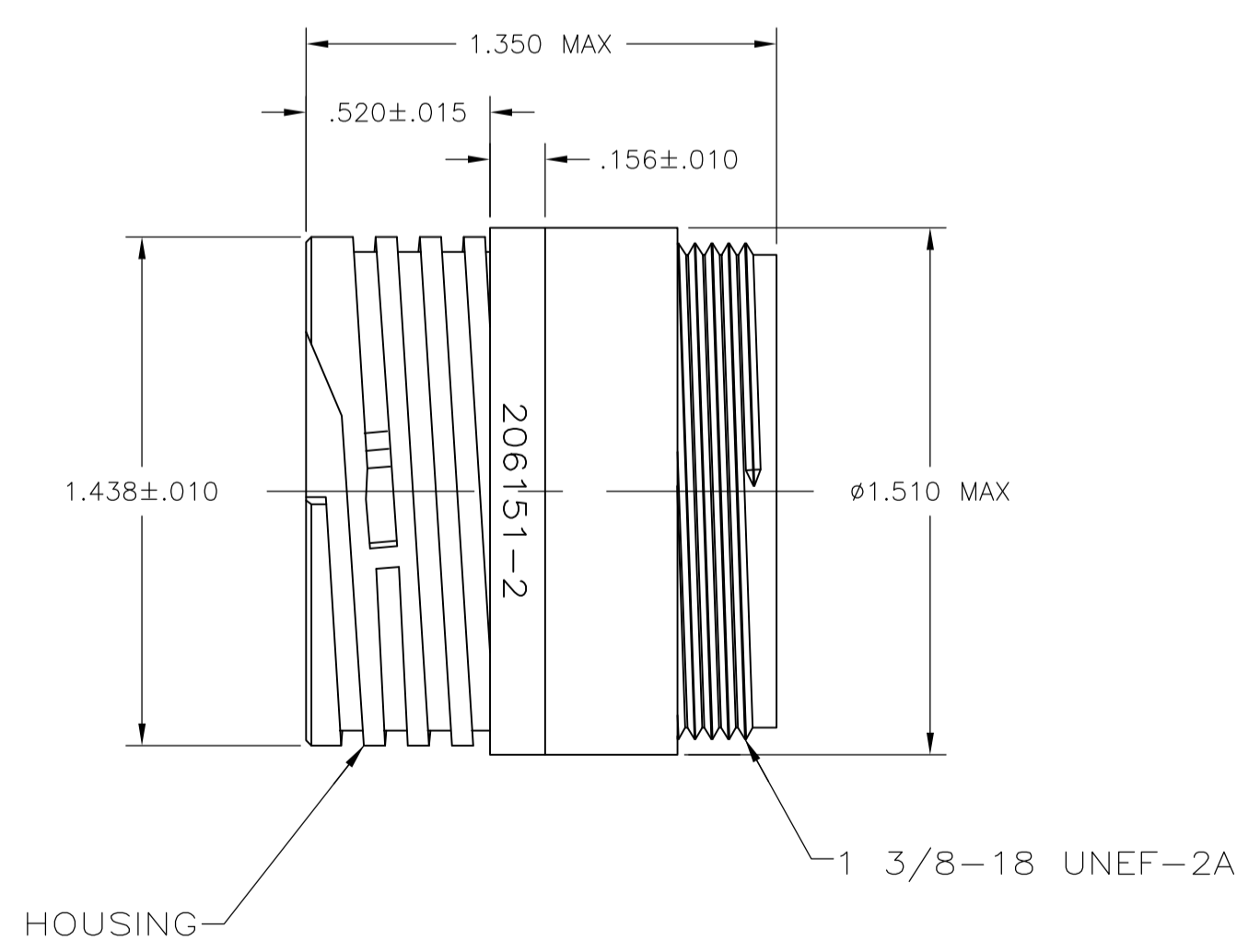
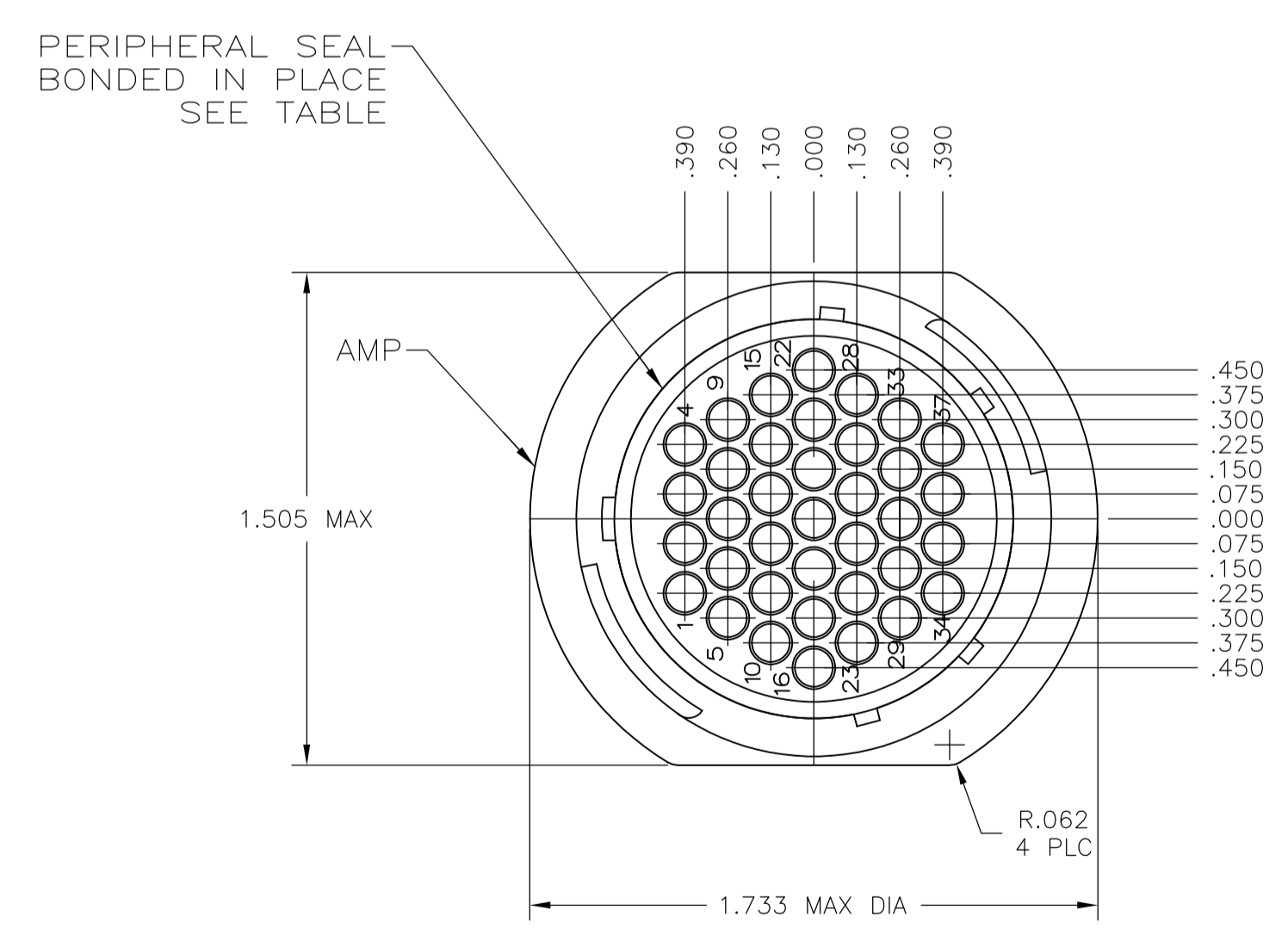


RECOMMENDED PANEL CUTOUT



DETAIL C
206151-6 ONLY

DETAIL A



DETAIL B

- 1 CAVITY IDENTIFICATION ON FRONT AND REAR FACE.
- 2 WILL ACCEPT THIRTY-SEVEN (37) MULTIMATE PIN CONTACTS.
- 3 NO 4 FASTENER RECOMMENDED FOR MOUNTING.
- 4 WHITE DOT NEAR POSITION 1 ON WIRE ENTRY FACE.
- 5 OBSOLETE PARTS: OBSOLETE CIS STREAMLINING PER D.RENAUD/D.SINISI

| 4 | STANDARD | YES | A | 206151-8 |
|-------------|------------|-----------------|------------|-------------|
| PRELIMINARY | STANDARD | NO | A & C | 206151-6 |
| OBSOLETE | SMALL PACK | NO | A | 206151-5 |
| | STANDARD | YES | B | 206151-4 |
| | STANDARD | YES | A | 206151-3 |
| | STANDARD | NO | B | 206151-2 |
| | STANDARD | NO | A | 206151-1 |
| | PACKAGING | PERIPHERAL SEAL | SEE DETAIL | PART NUMBER |

THIS DRAWING IS A CONTROLLED DOCUMENT.

| | | | |
|--|--|--------------------------|--|
| DIMENSIONS: INCHES | TOLERANCES UNLESS OTHERWISE SPECIFIED: | DIN S SCHLEGEL 08DEC2002 | TE Connectivity |
| 0 PLC ± - | 1 PLC ± - | FRANTUM 8/13/83 | RECEPTACLE HOUSING, STANDARD SEX, SHELL SIZE 23, CPC |
| 2 PLC ± - | 3 PLC ± .005 | STONE 8/13/83 | |
| 4 PLC ± - | ANGLES ± - | | |
| MATERIAL: HOUSING: NYLON BLACK SEAL: ELASTOMER, GREY | FINISH: - | APVD: R STONE | RESTRICTED TO |
| | | NAME: - | |
| | | APPLICATION SPEC: - | |
| | | SIZE: A1 | |
| | | WEIGHT: - | |
| | | CAGE CODE: - | |
| | | DRAWING NO: 00779 | |
| | | SCALE: 2:1 | |
| | | SHEET: 1 OF 1 | |
| | | REV: M | |

Mouser Electronics

Authorized Distributor

Click to View Pricing, Inventory, Delivery & Lifecycle Information:

[TE Connectivity:](#)

[206151-3](#)