

4

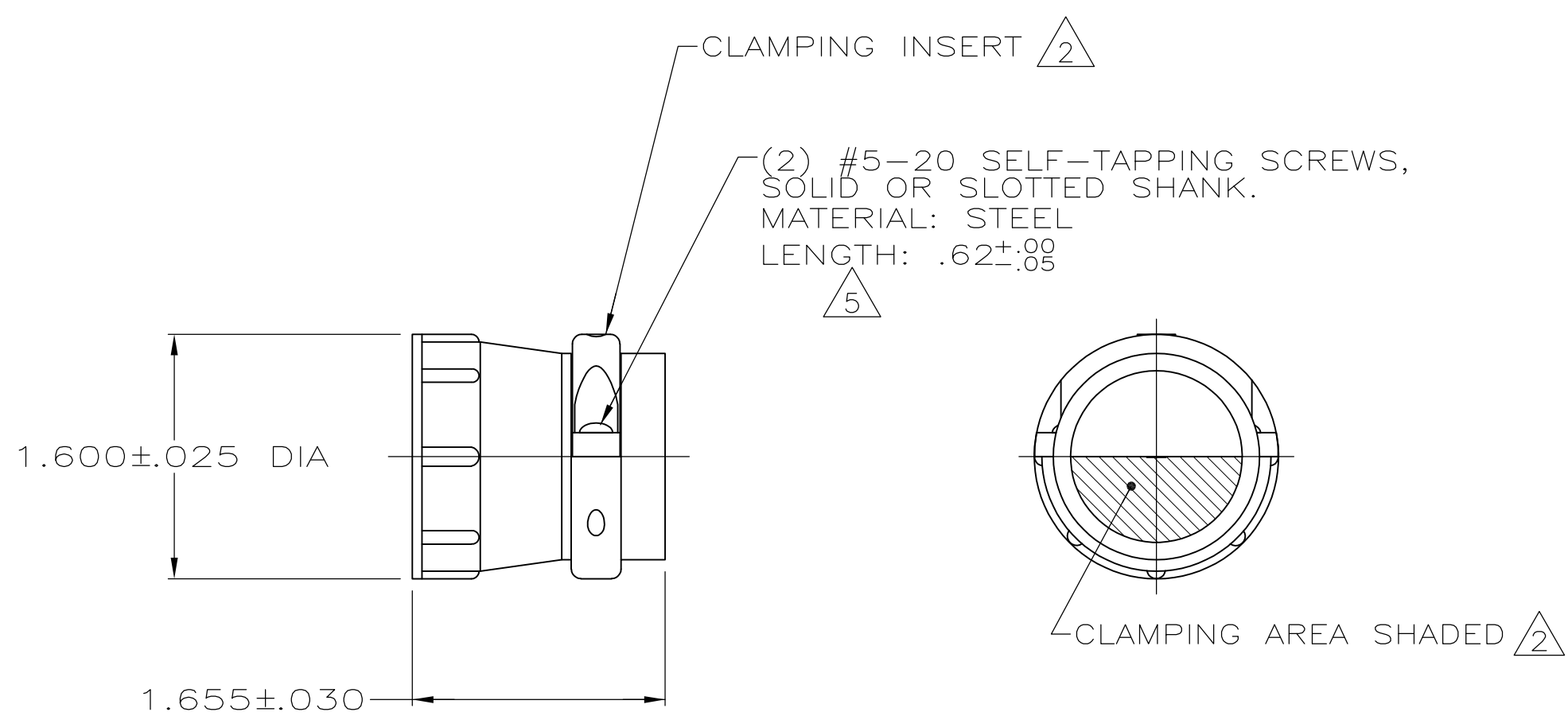
3

2

1

THIS DRAWING IS UNPUBLISHED. RELEASED FOR PUBLICATION
 © COPYRIGHT - By - ALL RIGHTS RESERVED.

LOC	DIST	REVISIONS					
BD	0	P	LTR	DESCRIPTION	DATE	DWN	APVD
		G3		REVISED PER ECO-11-004587	11MAR11	RK	HMR



- 1 PARTS PACKAGED UNASSEMBLED.
- $\triangle 2$ CABLE CLAMPING AREA ADJUSTABLE FROM .261 TO .517 SQ IN BY CHANGING CLAMPING INSERT.
- 3 1.125 MAXIMUM CABLE OUTSIDE DIAMETER.
- $\triangle 4$ BULK PACKAGED KITS TO BE ORDERED IN MULTIPLES OF 75 ONLY.
- $\triangle 5$ FINISH: ZINC NON-HEXAVALENT CHROMATE.
- $\triangle 6$ OBSOLETE PARTS: OBSOLETE CIS STREAMLINING PER D.RENAUD/D.SINISI

	$\triangle 5$	$\triangle 4$ BULK	206512-6
	$\triangle 5$	INDIVIDUAL	206512-5
$\triangle 6$ OBSOLETE	$\triangle 5$	SMALL PACK	206512-4
$\triangle 6$ OBSOLETE	$\triangle 5$	SMALL PACK	206512-3
SUPERSEDED BY 206512-6	$\triangle 5$	$\triangle 4$ BULK	206512-2
SUPERSEDED BY 206512-5	$\triangle 5$	INDIVIDUAL	206512-1
		SCREW FINISH	PART NUMBER
		PACKAGING	

THIS DRAWING IS A CONTROLLED DOCUMENT.		DWN A GRAFF 4/29/91	STE TE Connectivity	
		CHK W.G.LENKER 7-23-92		
DIMENSIONS: INCHES		TOLERANCES UNLESS OTHERWISE SPECIFIED:		NAME CABLE CLAMP KIT, LARGE, SHELL SIZE 23, CPC
		0 PLC $\pm -$ 1 PLC $\pm -$ 2 PLC $\pm -$ 3 PLC $\pm -$ 4 PLC $\pm -$ ANGLES $\pm -$		
MATERIAL THERMOPLASTIC		FINISH -		PRODUCT SPEC 108-10024
		APVD -		APPLICATION SPEC -
		WEIGHT -		SIZE A3
		CUSTOMER DRAWING		CAGE CODE 00779
		SCALE 1:1		DRAWING NO C-206512
		SHEET 1 OF 1		RESTRICTED TO -
		REV G3		

Mouser Electronics

Authorized Distributor

Click to View Pricing, Inventory, Delivery & Lifecycle Information:

[TE Connectivity:](#)

[206512-5](#)