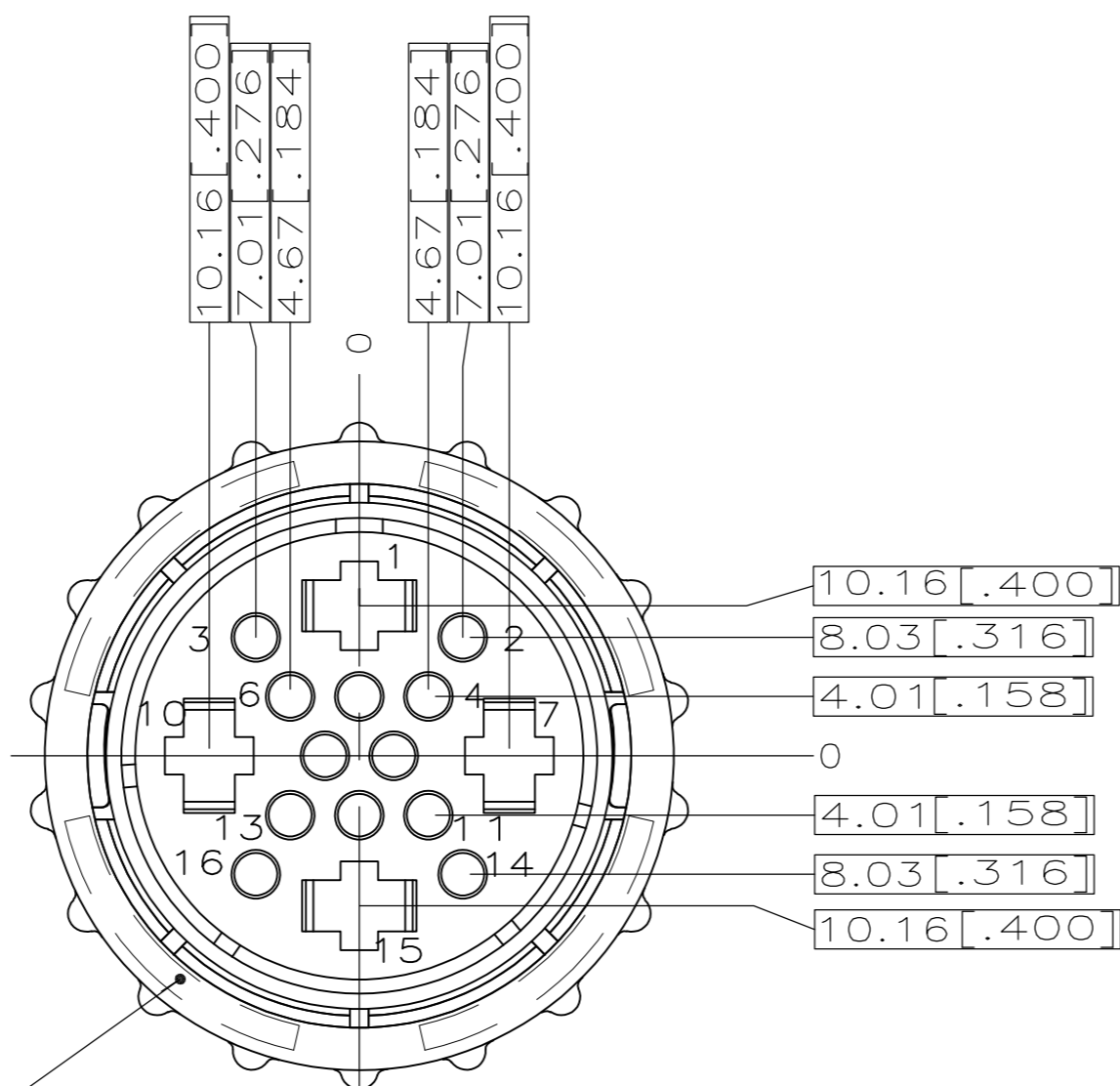


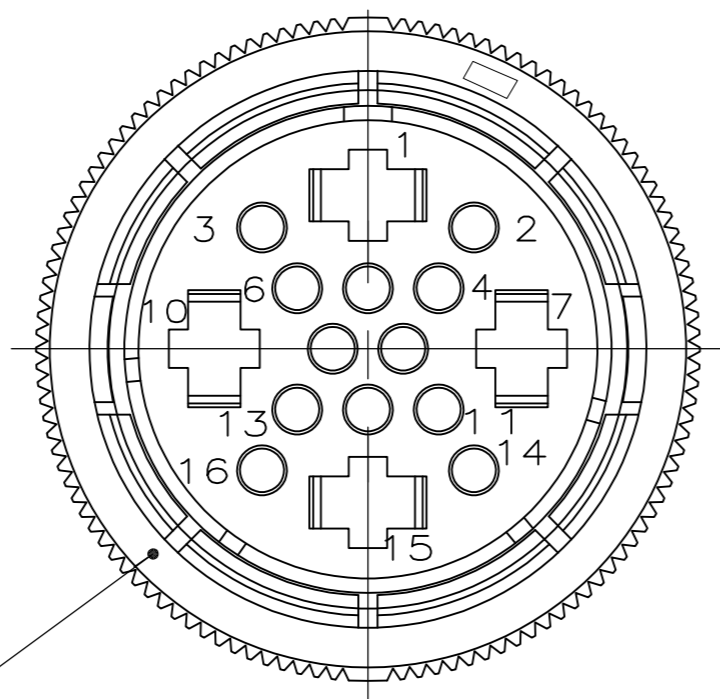
THIS DRAWING IS UNPUBLISHED. RELEASED FOR PUBLICATION
 © COPYRIGHT - By - ALL RIGHTS RESERVED.

LOC		DIST		REVISIONS			
P	LTR	DESCRIPTION		DATE	DWN	APVD	
FT	4	G2	REVISED PER ECO-11-004820		11MAR11	RK	HMR



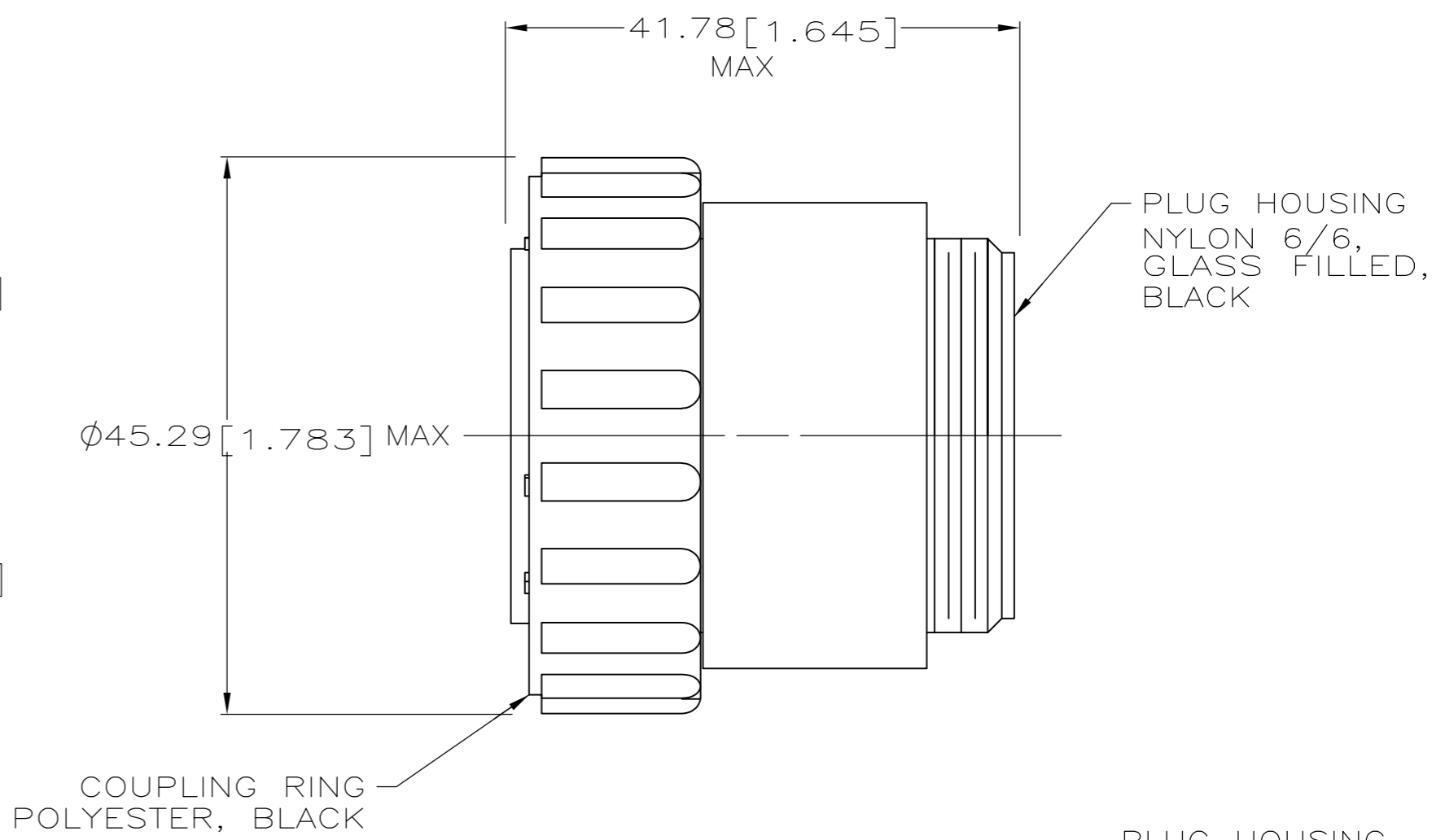
AMP PART NO
THIS SURFACE

(-1 ONLY)

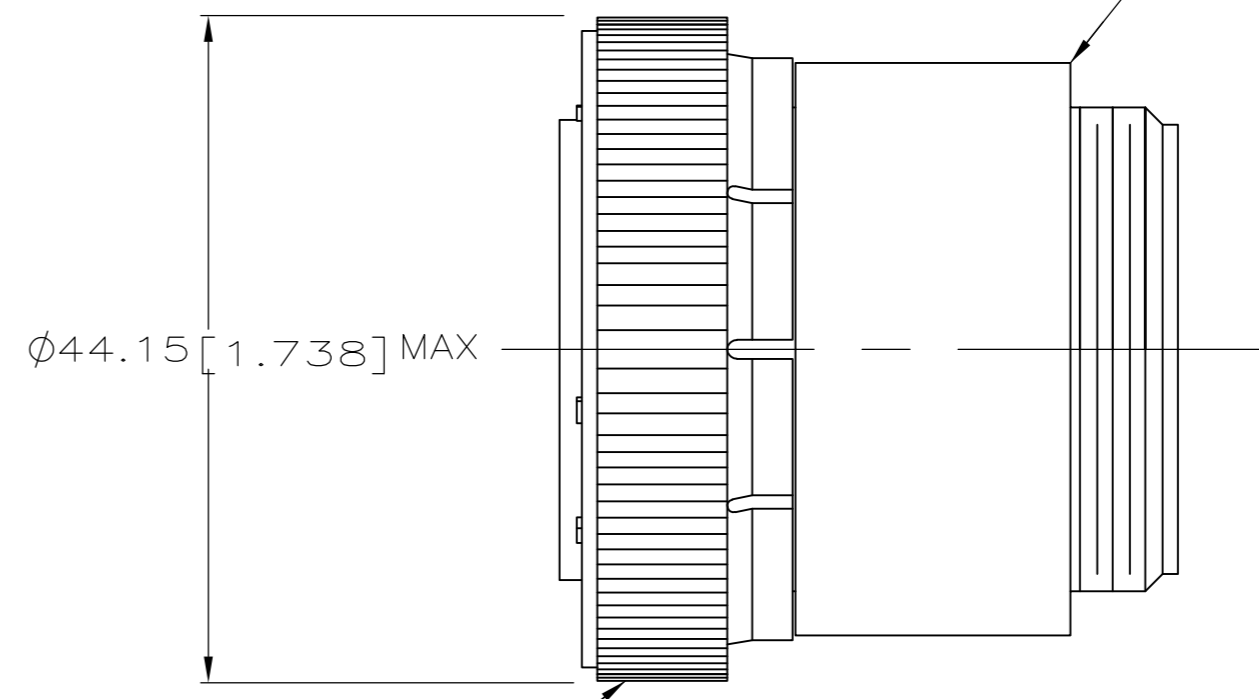


AMP PART NO
THIS SURFACE

(-2 ONLY)



PLUG HOUSING
NYLON 6/6,
GLASS FILLED,
BLACK



COUPLING RING
POLYPHENYLENE,
BLACK

- 1 WILL ACCEPT (12) MULTIMATE & (4) TYPE XII SOCKET CONTACTS.
- 2 THIS CONNECTOR WILL ACCEPT INSULATION DIAMETERS UP TO .150.
- 3 CONTACT CAVITIES IDENTIFIED BY CHARACTERS ON FRONT AND REAR FACES OF CONNECTOR.

207485-2
207485-1
PART NUMBER

THIS DRAWING IS A CONTROLLED DOCUMENT.		DWN S. RIDGLEY BG 31 JUL 90	TE Connectivity	
DIMENSIONS: mm [INCHES]		CHK R. STONE 26 APR 91		
TOLERANCES UNLESS OTHERWISE SPECIFIED:		APVD K. BEAVER 03 APR 91	NAME	
0 PLC ± - 1 PLC ± - 2 PLC ± - 3 PLC ± - 4 PLC ± - ANGLES ± - FINISH -		PRODUCT SPEC 108-10024	PLUG ASSEMBLY, SHELL SIZE 23, STANDARD SEX, SERIES 4, CPC	
MATERIAL SEE CALLOUT		APPLICATION SPEC	SIZE A2	CAGE CODE 00779
		WEIGHT -	DRAWING NO C=207485	RESTRICTED TO -
		CUSTOMER DRAWING	SCALE 2:1	SHEET 1 of 1
			REV G2	

Mouser Electronics

Authorized Distributor

Click to View Pricing, Inventory, Delivery & Lifecycle Information:

[TE Connectivity:](#)

[207485-1](#)