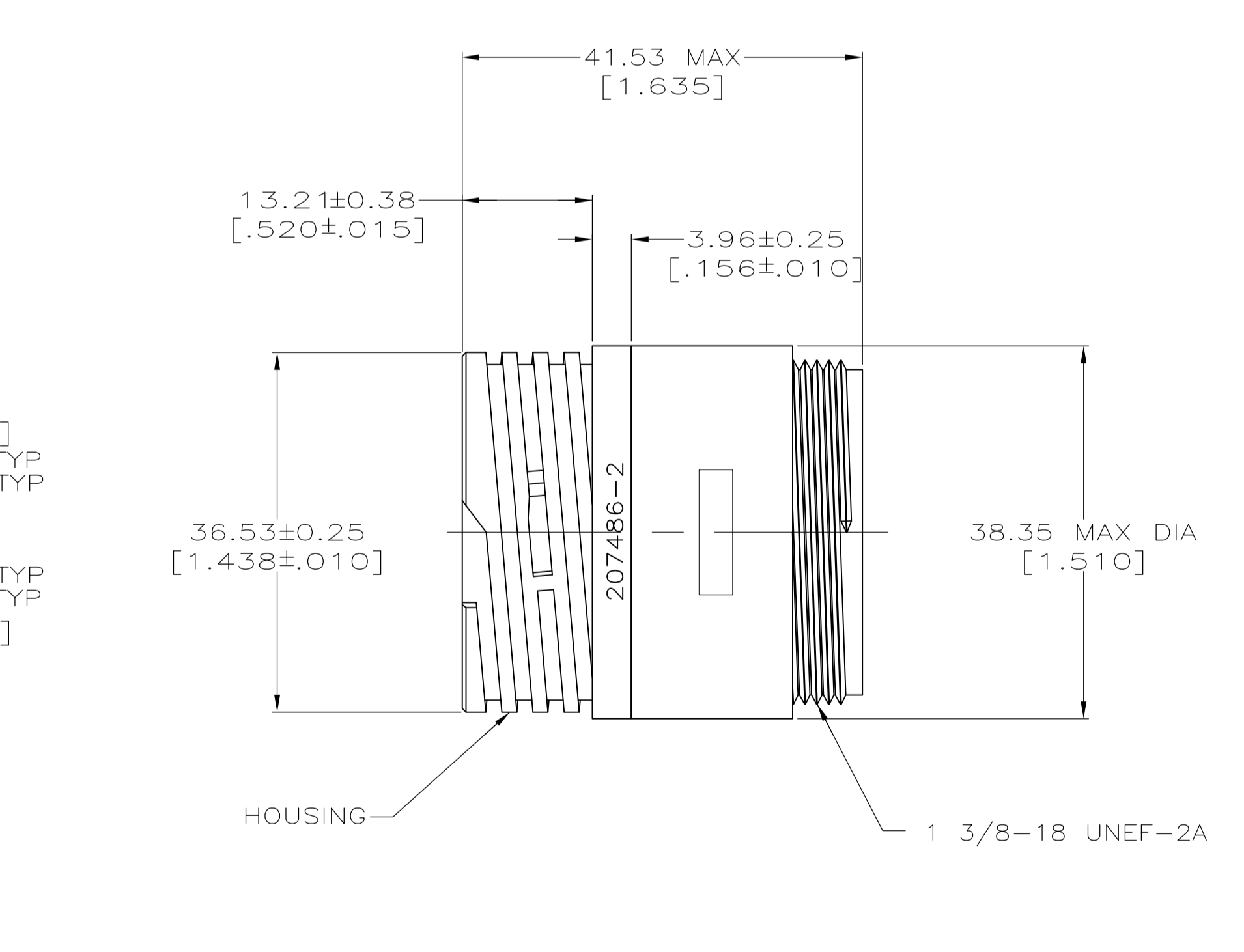
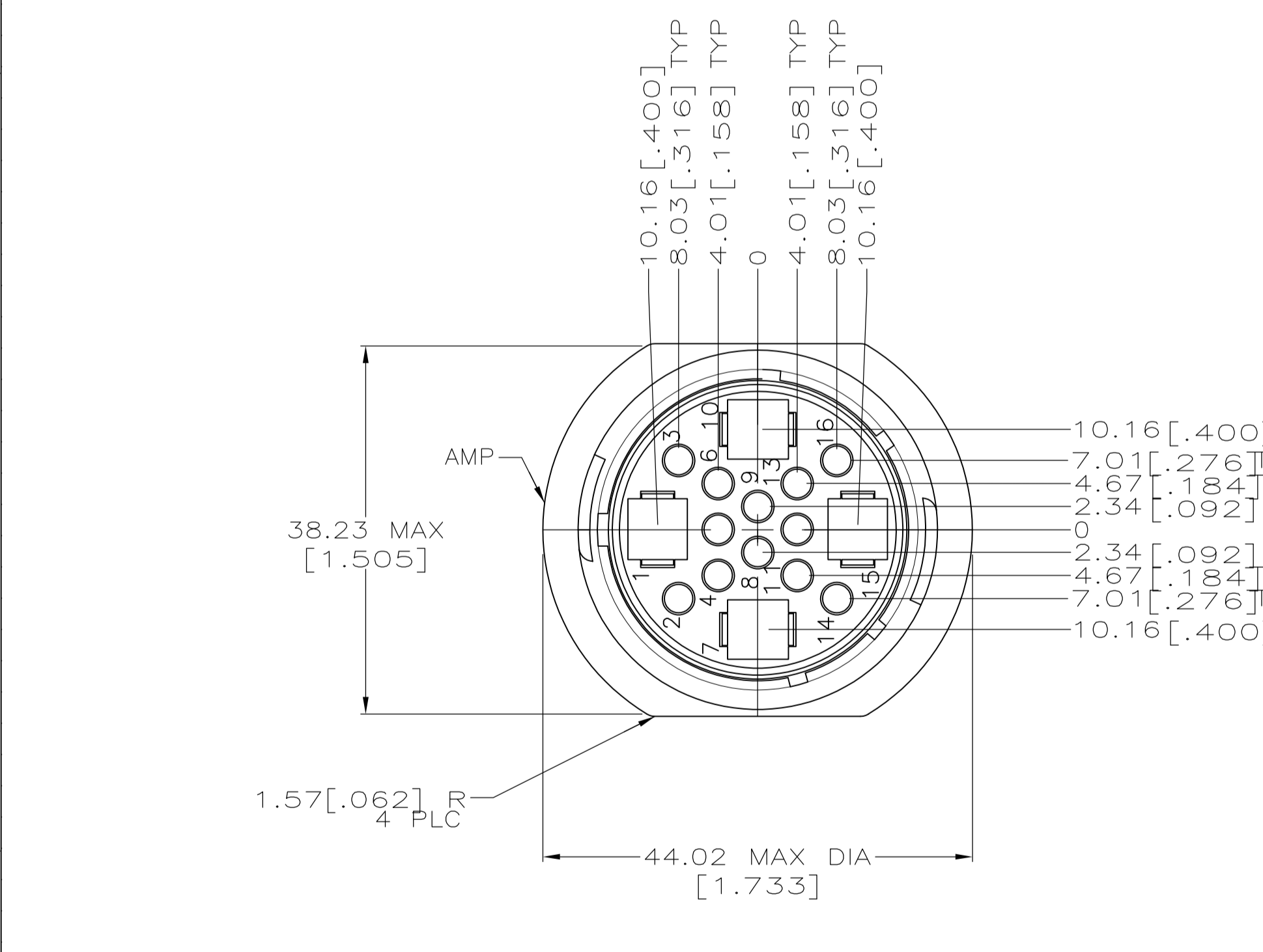


DETAIL A



DETAIL B

- WILL ACCEPT (12) MULTIMATE AND (4) TYPE XII PIN CONTACTS.
 - CAVITY IDENTIFICATION ON FRONT AND REAR FACE.
 - NO. 4 FASTENERS RECOMMENDED FOR MOUNTING.
 - THIS CONNECTOR WILL ACCEPT INSULATION DIAMETERS UP TO 3.81 [.150].
- HOUSING: NYLON, BLACK.
 - PERIPHERAL SEAL: ELASTOMER, GRAY.
 - PERMANENT WHITE MARKED OR WHITE INK STAMPED CAVITY IDENTIFICATION.
 - HOUSING: NYLON, RED.
 - PERIPHERAL SEAL: ELASTOMER, GRAY.
 - WHITE DOT NEAR POSITION 1 ON WIRE ENTRY FACE.

PRELIMINARY	⚠	-	YES	A	1-207486-1
PRELIMINARY	⚠	-	YES	A	207486-9
PRELIMINARY	⚠	-	YES	A	207486-7
	⚠	4	YES	A	207486-6
	⚠	-	YES	A	207486-5
	⚠	-	NO	B	207486-2
	⚠	-	NO	A	207486-1
NOTES		THREADED INSERTS	PERIPHERAL SEAL	SEE DETAIL	PART NUMBER

THIS DRAWING IS A CONTROLLED DOCUMENT.

DIMENSIONS: INCHES	TOLERANCES UNLESS OTHERWISE SPECIFIED:	DIN M. BINNER 05/26/94	CHK R. STONE 6-23-94	TE Connectivity	
0 PLC ± -	1 PLC ± -	PRODUCT SPEC	NAME	RECEPTACLE HOUSING, STANDARD	
2 PLC ± ± 0.13 [.005]	3 PLC ± ± -	APPLICATION SPEC	108-10024	SEX, SHELL SIZE 23, CPC	
4 PLC ± ± -	ANGLES ± ± -	FINISH	SIZE	CAGE CODE	DRAWING NO
MATERIAL	FINISH	WEIGHT	A1	00779	C=207486
		CUSTOMER DRAWING	SCALE	2:1	SHEET 1 OF 1

Mouser Electronics

Authorized Distributor

Click to View Pricing, Inventory, Delivery & Lifecycle Information:

[TE Connectivity:](#)

[207486-2](#)