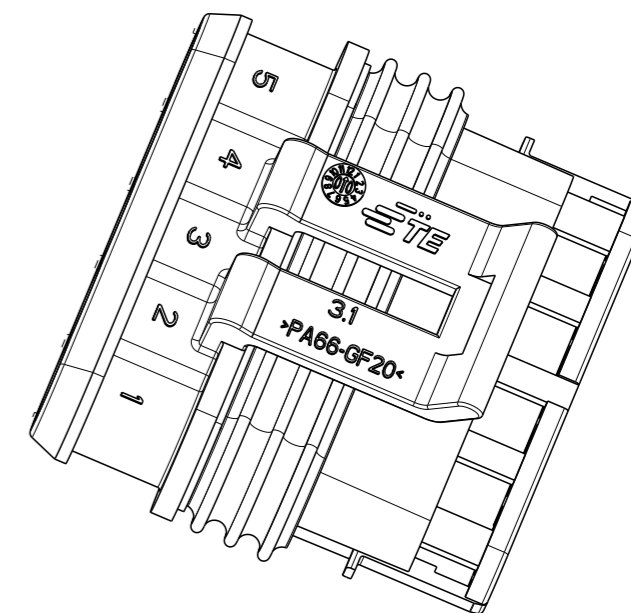
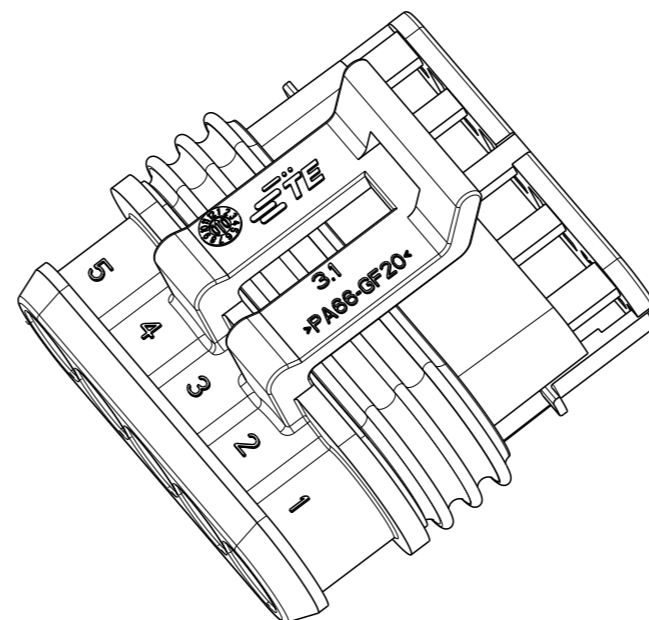
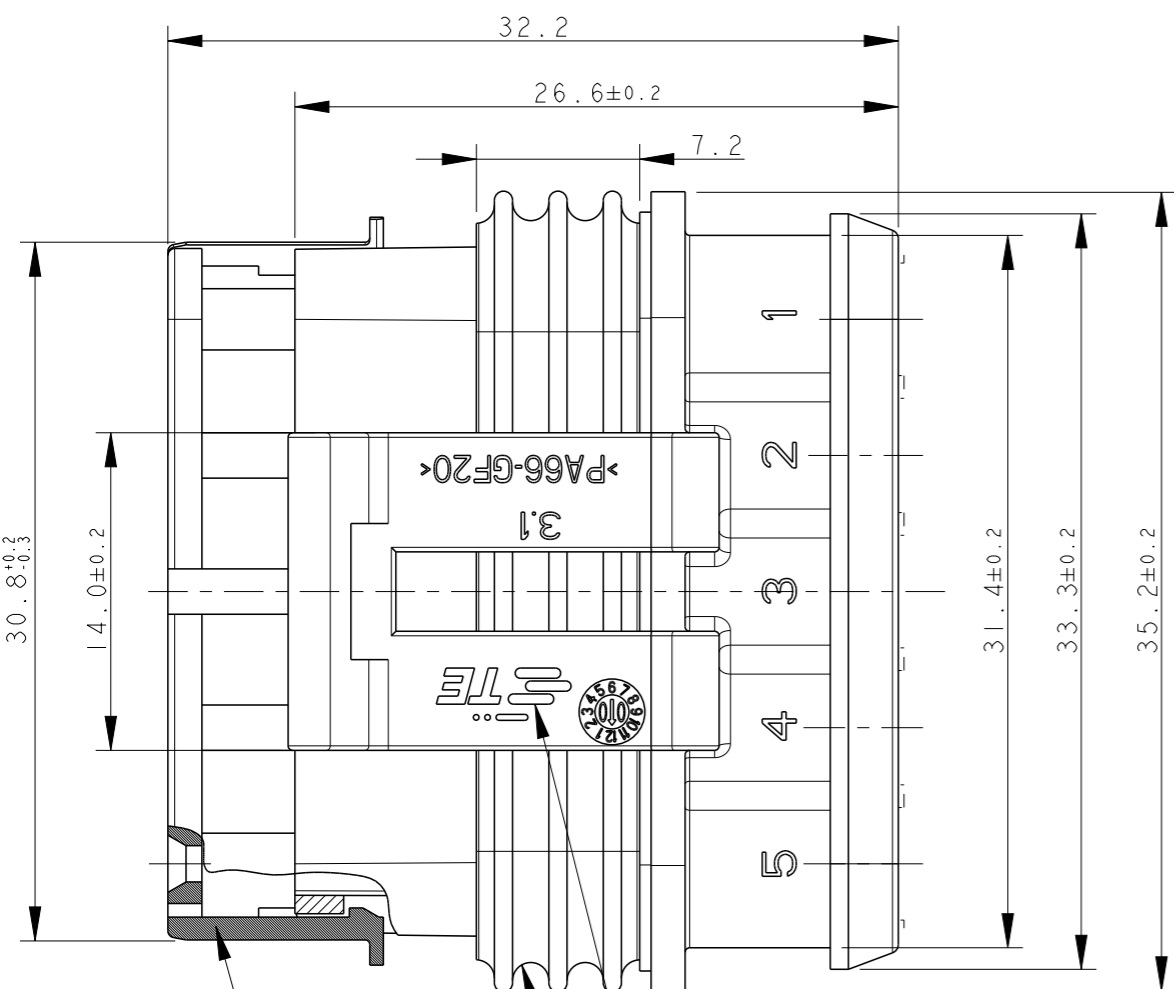
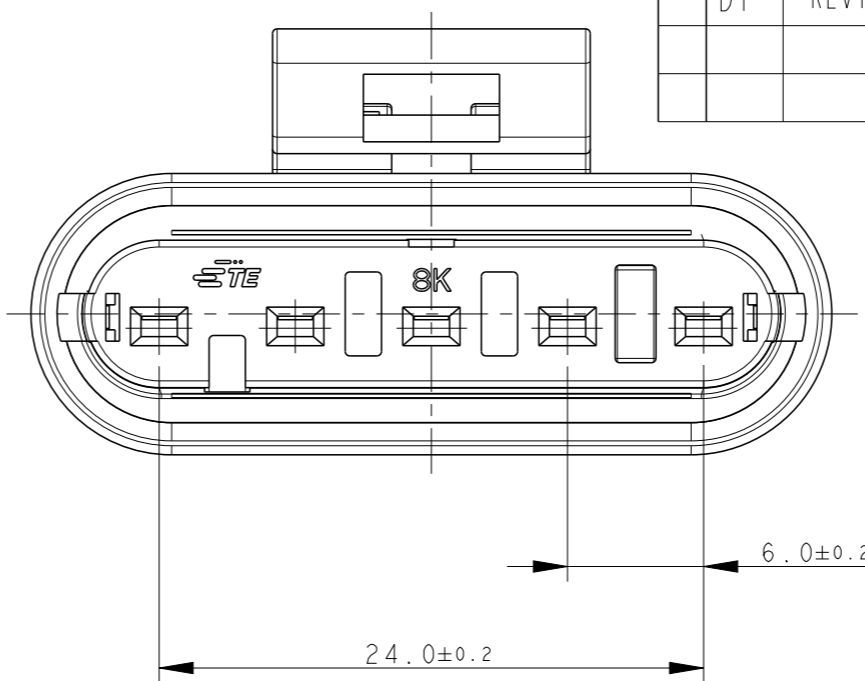
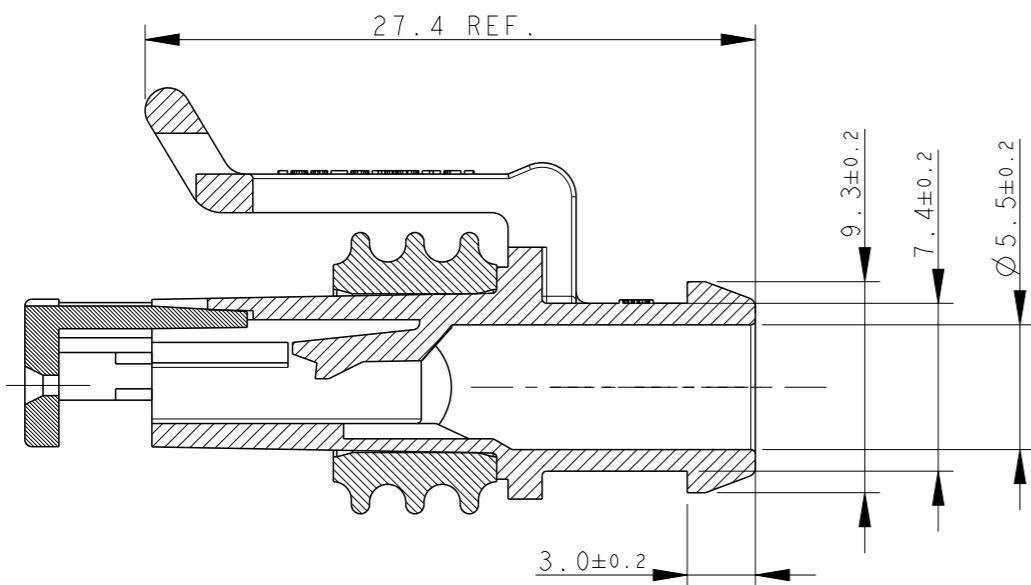


THIS DRAWING IS UNPUBLISHED. RELEASED FOR PUBLICATION 2011
 © COPYRIGHT 2011 BY - ALL RIGHTS RESERVED.

REVISIONS

P	LTR	DESCRIPTION	DATE	DWN	APVD
	D	ECR-14-009314	24MAR2015	M.P.	M.G.
	D1	REVISED (ECR-15-014031)	25SEP2015	M.G.	M.G.



1) FOR COUNTERPART DETAILS, SEE SHEET 2 OF 2

FINISH/COLOR	MATERIAL	PART NUMBER
GRAY	HOUSING+SEC.LOCK: PA66-GF SEALING: LSR	282089-2
BLACK	HOUSING+SEC.LOCK: PA66-GF SEALING: LSR	282089-1

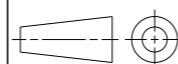
TE CONNECTIVITY TRADE MARK,
 (IN ALTERNATIVE: "AMP" LOGO,
 OR "Tyco Electronics" LOGO)

SEALING
 (COLOUR YELLOW)

PRE-ASSEMBLED SECONDARY LOCK
 (COLOUR RED)

THIS DRAWING IS A CONTROLLED DOCUMENT.

DIMENSIONS:
 mm



MATERIAL
 SEE TABLE

TOLERANCES UNLESS OTHERWISE SPECIFIED:

- 0 PLC ±
- 1 PLC ±0.3
- 2 PLC ±
- 3 PLC ±
- 4 PLC ±
- ANGLES ±2°
- FINISH -

SEE TABLE

DWN C. BERTINI 05-1992

CHK A. BRUNI 05-1992

APVD -

PRODUCT SPEC

108-20090

APPLICATION SPEC

412-20000

WEIGHT 5.45gr

Customer Drawing

TE TE Connectivity

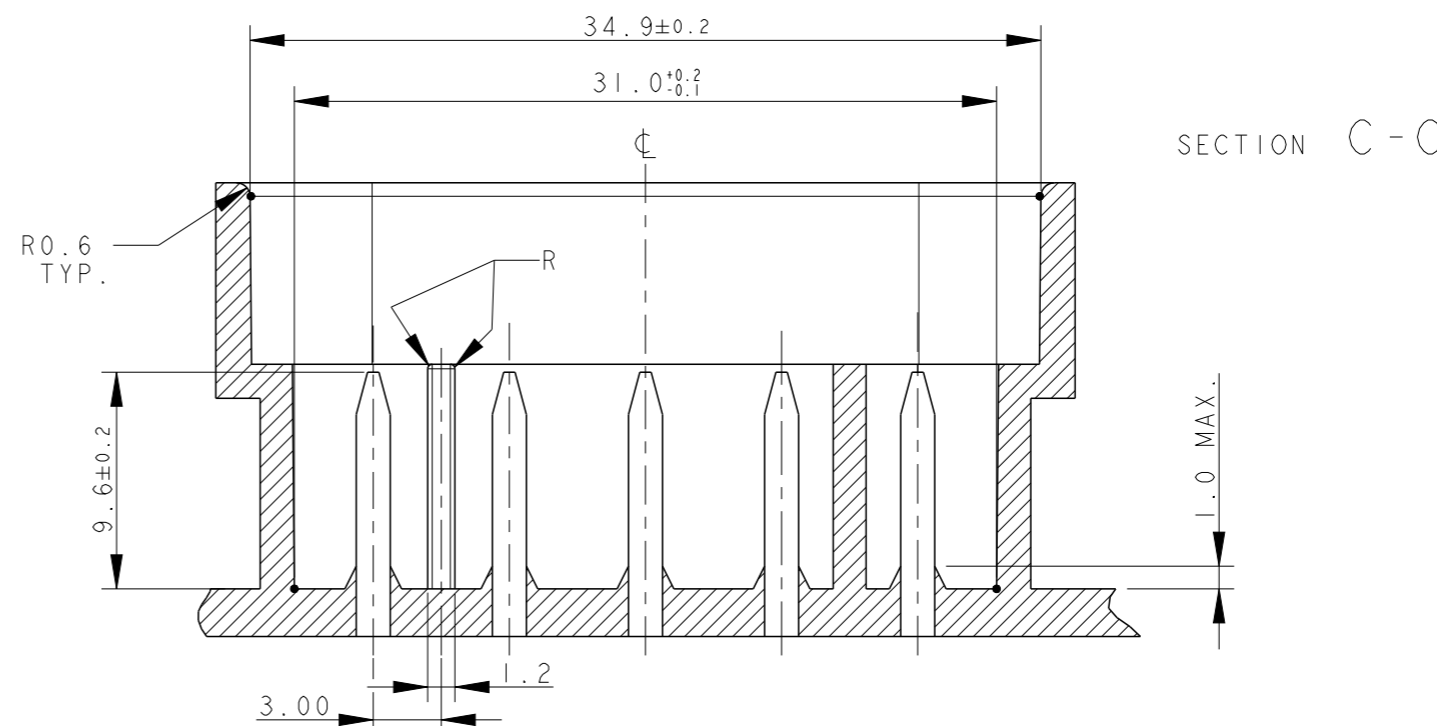
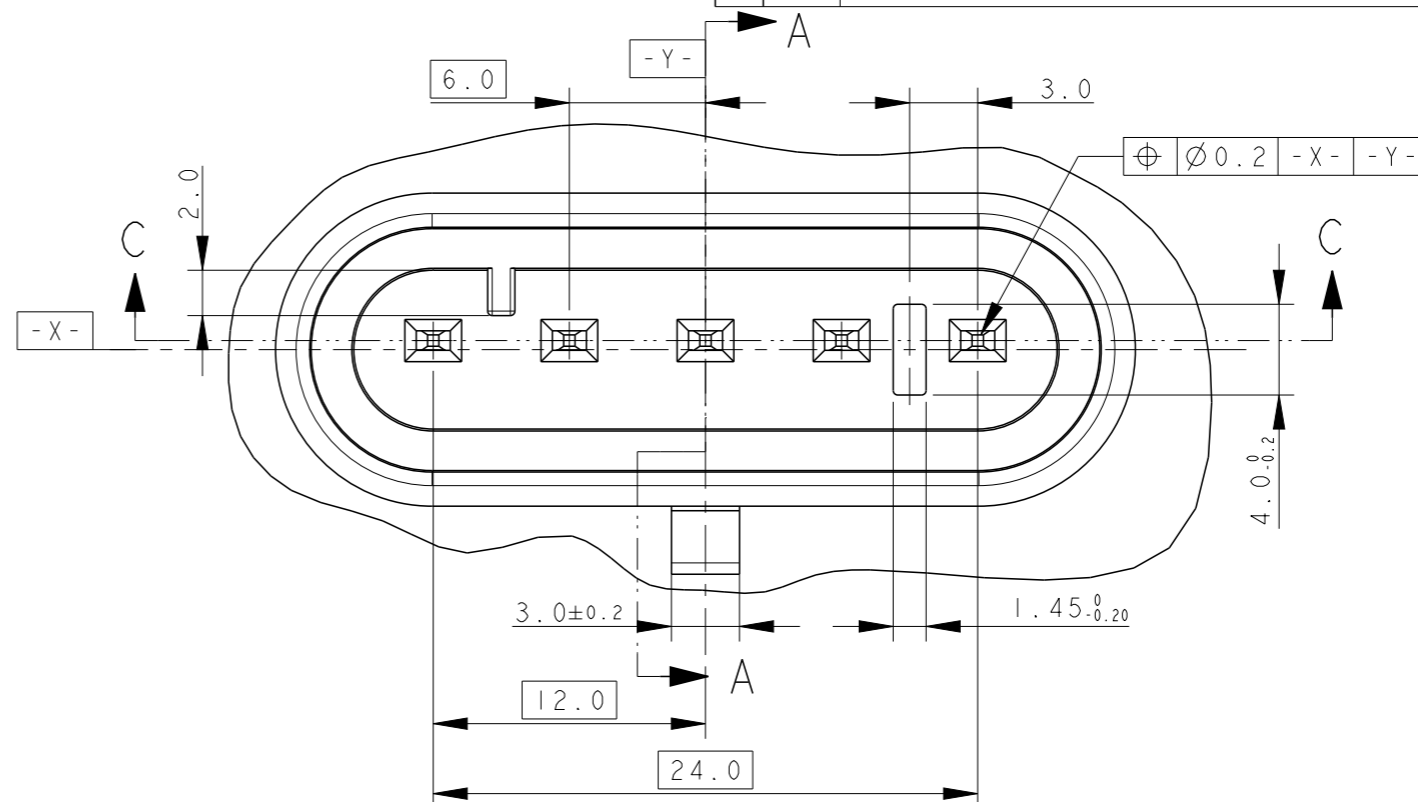
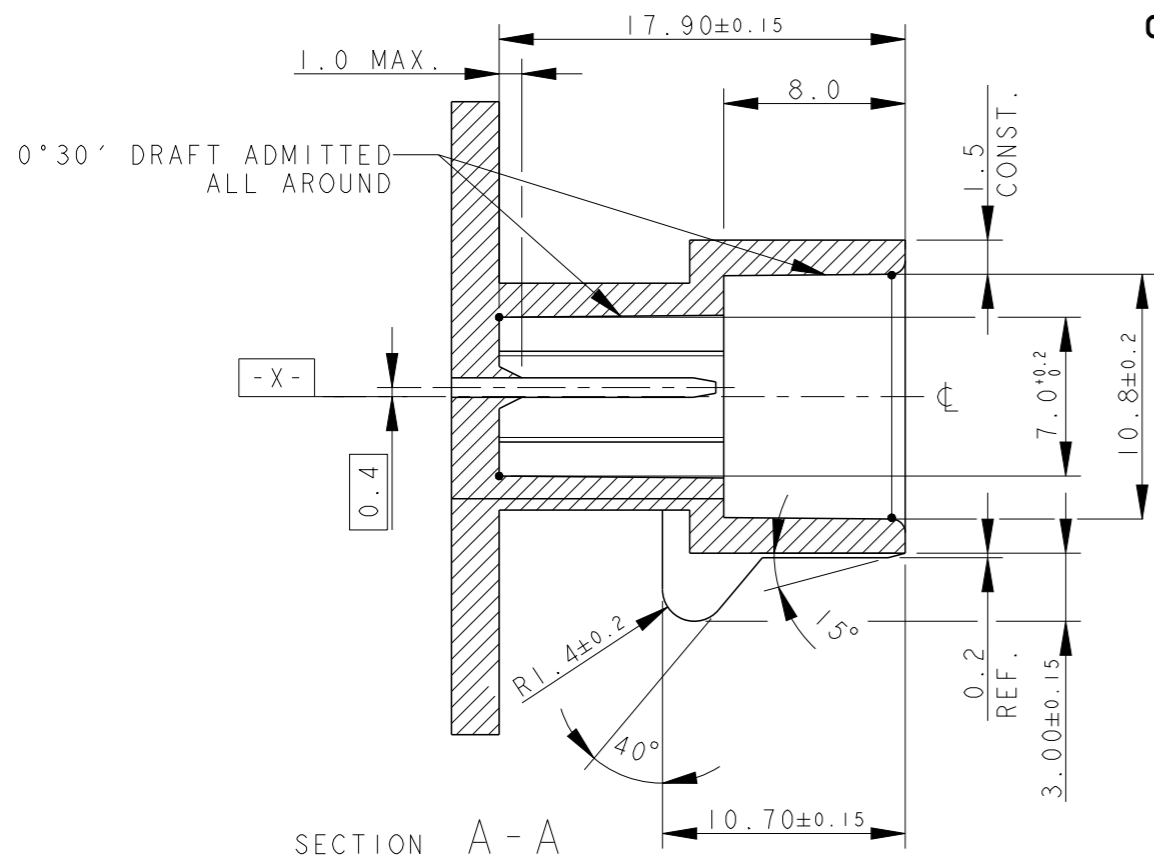
AMP SUPERSEAL 1.5 SRS.
 5 POSITIONS PLUG ASS'Y

SIZE	CAGE CODE	DRAWING NO	RESTRICTED TO
A3	00779	C-282089	-

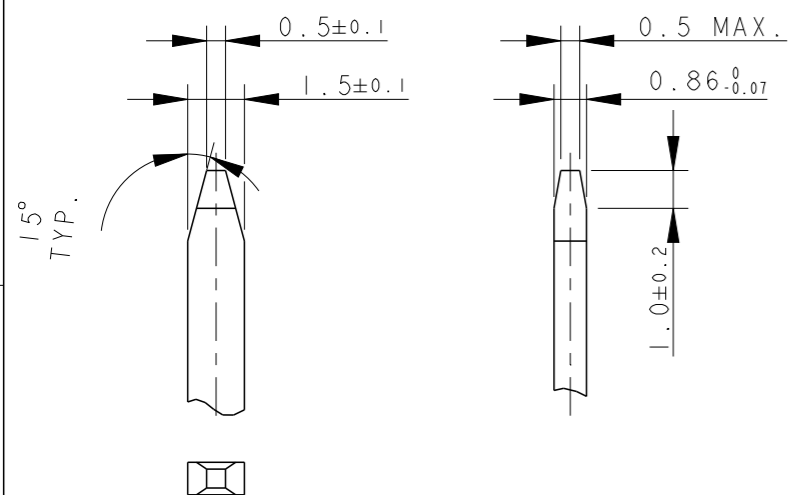
SCALE 3:1 SHEET 1 OF 2 REV D1

P	LTR	DESCRIPTION	DATE	DWN	APVD
		SEE SHEET 1			

COUNTERPART DETAILS



TAB DETAILS



MATERIALS: PA66-GF FOR HOUSING
TIN PLATED BRASS FOR TABS

THIS DRAWING IS A CONTROLLED DOCUMENT.

DWN C. BERTINI 05-1992

CHK A. BRUNI 05-1992

APVD -

NAME



DIMENSIONS:

mm

TOLERANCES UNLESS OTHERWISE SPECIFIED:

- 0 PLC ±0.3
- 1 PLC ±0.1
- 2 PLC ±0.05
- 3 PLC ±
- 4 PLC ±
- ANGLES ±2°
- FINISH



MATERIAL



PRODUCT SPEC 108-20090

APPLICATION SPEC 412-20000

WEIGHT 5.45gr

SIZE CAGE CODE DRAWING NO RESTRICTED TO

A300779 C-282089

Customer Drawing

SCALE 1:1

SHEET 2 OF 2

REV D1

Mouser Electronics

Authorized Distributor

Click to View Pricing, Inventory, Delivery & Lifecycle Information:

[TE Connectivity:](#)

[282089-1](#)