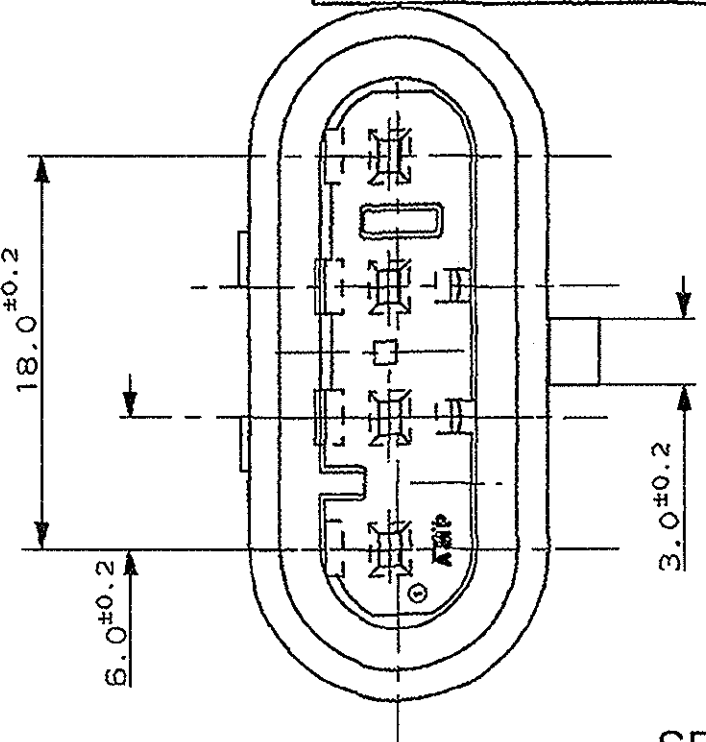
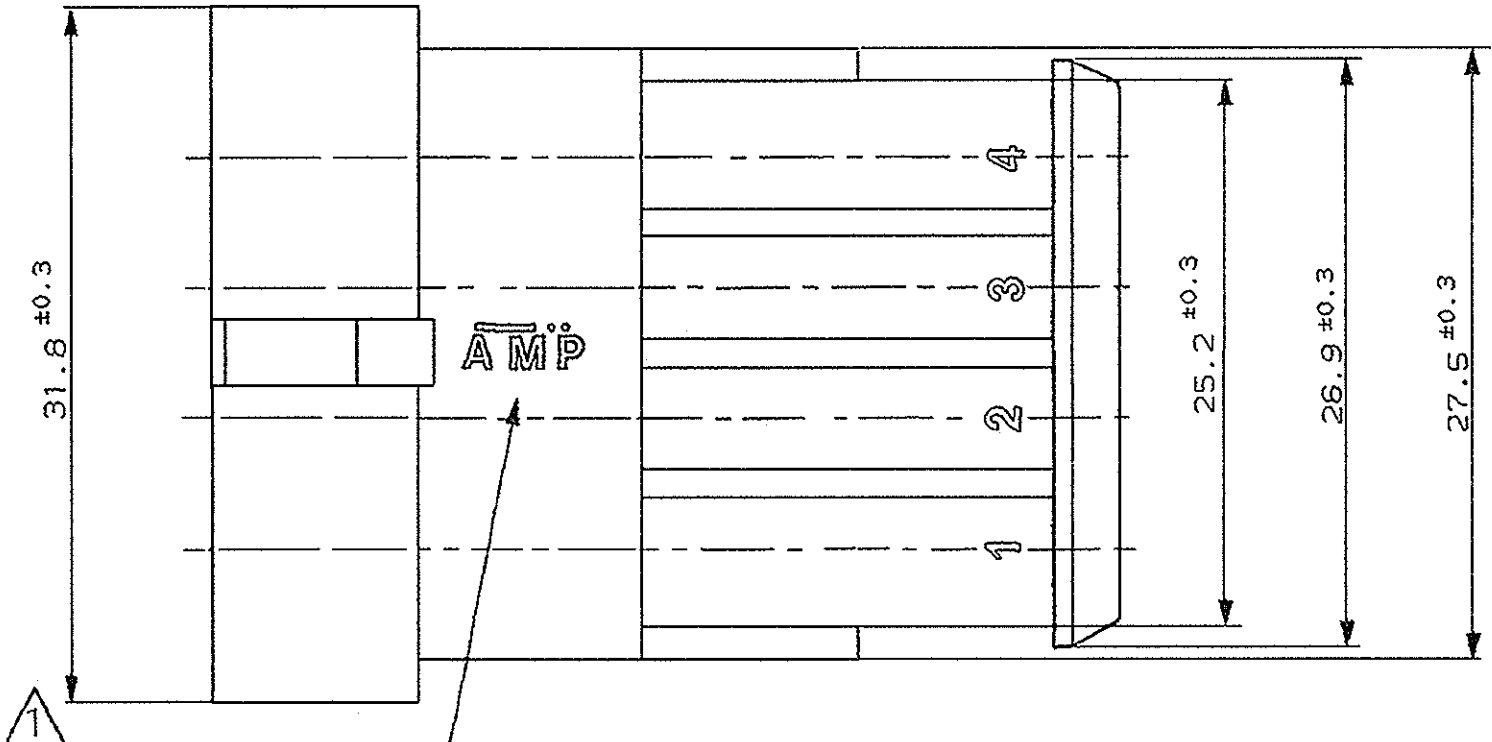
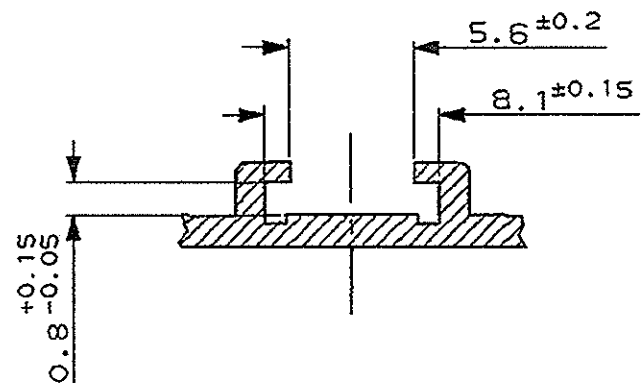
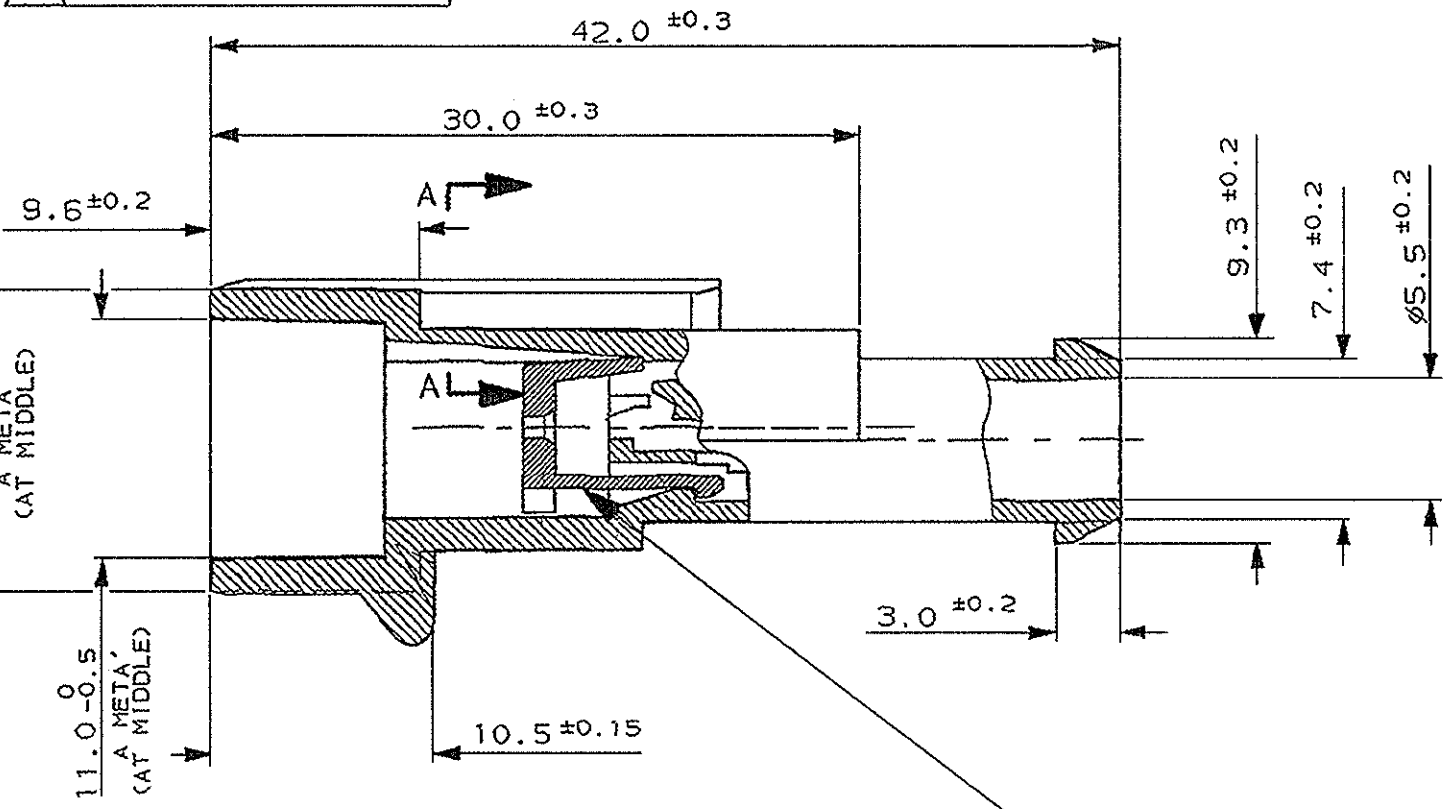


1 2 3 4 5 6 7 8

SCALA NON IMPEGNATIVA (DO NOT SCALE)
 DIMENSIONI IN (DIMENSIONS IN) mm
METRIC
 PROIEZIONE EUROPEA (EUROPEAN PROJECTION)



SEZ. PARZ. A-A
 (PART. SECT. A-A)



AGGANCIAMENTO SECONDARIO, COLORE ROSSO, PRE-ASSEMBLATO
 (SECONDARY LOCK, RED COLOUR, IN PRE-ASSEMBLED POSITION)

LOGO "AMP" O, IN ALTERNATIVA, LOGO "TYCO"
 ("AMP" TRADE MARK OR, IN ALTERNATIVE, "TYCO" TRADE MARK)

GRIGIO (GREY)	PA 6.6 CAR. VETRO	282106-2
NERO (BLACK)	(PA 6.6 G.F.)	282106-1
FINITURA / COLORE (FINISH / COLOUR)	MATERIALE (MATERIAL)	NUMERO (PART NUMBER)

CUSTOMER DWG. FOR REFERENCE ONLY
 DISEGNO PER CLIENTE SOLO PER RIFERIMENTO

~~THIS DRAWING IS UNPUBLISHED~~ RELEASE FOR PUBLICATION 19

TOLLERANZE, SE NON DIVERSAMENTE SPECIFICATO (TOLERANCES, UNLESS OTHERWISE SPECIFIED)	DIAM. ISOLANTE (INS. DIA. RANGE)	RANGO FILO (WIRE RANGE)	SCALA (SCALE)
ANGOLI (ANGLES) ± 0.3 ANGOLI (ANGLES) ± 2°	-	-	-
DIS. (DR.) C. BERTINI 2-90	DESCRIZIONE (DESCRIPTION) 4 POS TAB ASS'Y		
CONT. (CHR) 2-90	AMP SUPERSEAL 1.5 SERIES CONNECTORS		



B2	REVISED PER ECO-11-009901	RK	13MAY11	APP. (APP.)	A. BRUNI	LOC. SIZE (LOC. SIZE)	NUMERO (CDS NO)	REV.	FOLIO (SHEET)
REV. (REV.)	REVISIONI (REVISION RECORD)	DIS. DATA (DR)	DATA (DATE)	APP. (APP.)	A. BRUNI	I A3	C-282106	B2	1 D1 (1 OF 1)

DISTRIBUZIONE (PRINT DIST.)

Mouser Electronics

Authorized Distributor

Click to View Pricing, Inventory, Delivery & Lifecycle Information:

[TE Connectivity:](#)

[282106-1](#)