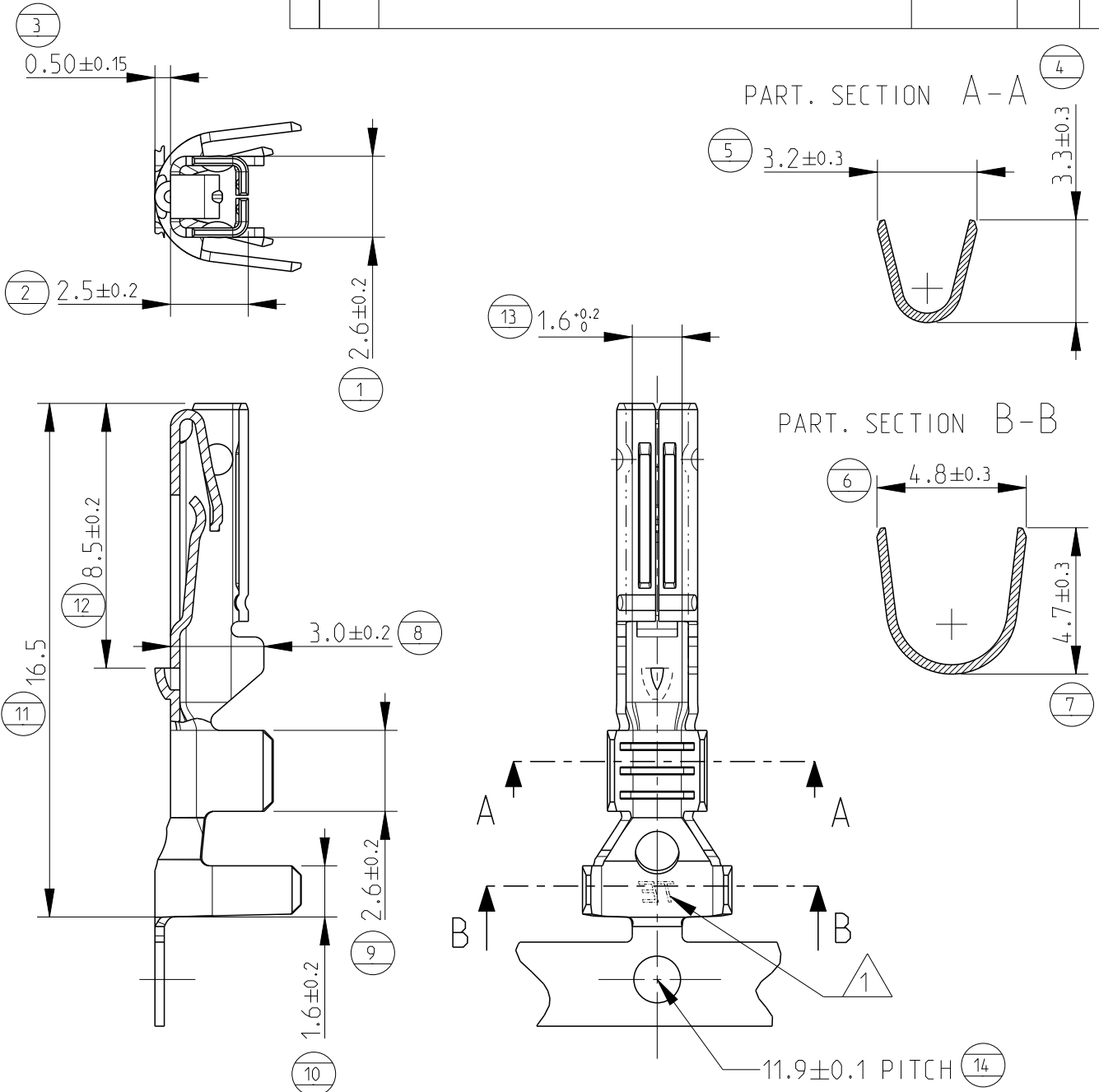



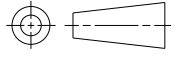
| REVISIONS | | | | |
|-----------|-----|---------------------------|-----------|-----------|
| P | LTR | DESCRIPTION | DATE | DWN APVD |
| | D2 | REVISED PER ECR-15-001967 | 11FEB2015 | M.G. M.G. |
| | | | | |
| | | | | |



- 1 "TE" LOGO OR, IN ALTERNATIVE, "AMP" LOGO
- 2) SUITABLE FOR SINGLE WIRE SEAL P/N 281934-...
- 3) WIRE SIZE RANGE: 0.75-1.5mm2

P/N 282110-1 AS SHOWN

20
 RELEASED FOR PUBLICATION
 ALL RIGHTS RESERVED.
 BY -
 COPYRIGHT 20

| | | | | | | |
|---|------------|-------------------------------|--|--------------------|------------------------|--------------------|
| DIMENSIONS: mm | | DWN Bassano 09Nov90 | MATERIAL PH. BRONZE | FINISH PRE-TIN | | |
| TOLERANCES UNLESS OTHERWISE SPECIFIED: | | CHK Bertini 09Nov90 |  TE Connectivity | | | |
| 0 PLC ± | 1 PLC ±0.3 | APVD - | | | | |
| 2 PLC ± | 3 PLC ± | PRODUCT SPEC 108-20090 | NAME MINI MIC SRS. RECEPTACLE CONTACT | | | |
| 4 PLC ± | ANGLES ±° | APPLICATION SPEC 114-20045 | | | | |
|  | | WEIGHT 0.35gr | SIZE A 4 | CAGE CODE 00779 | DRAWING NO C-282110 | RESTRICTED TO - |
| | | Customer Drawing | | SCALE 5:1 | SHEET 1 OF 1 | REV D2 |

Mouser Electronics

Authorized Distributor

Click to View Pricing, Inventory, Delivery & Lifecycle Information:

[TE Connectivity:](#)

[282110-1](#)