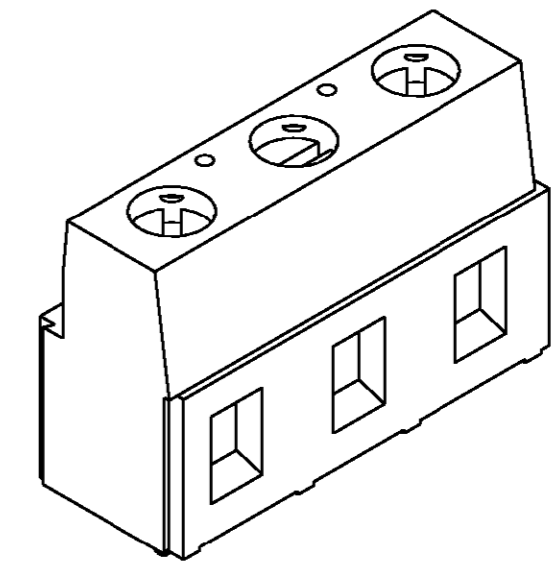
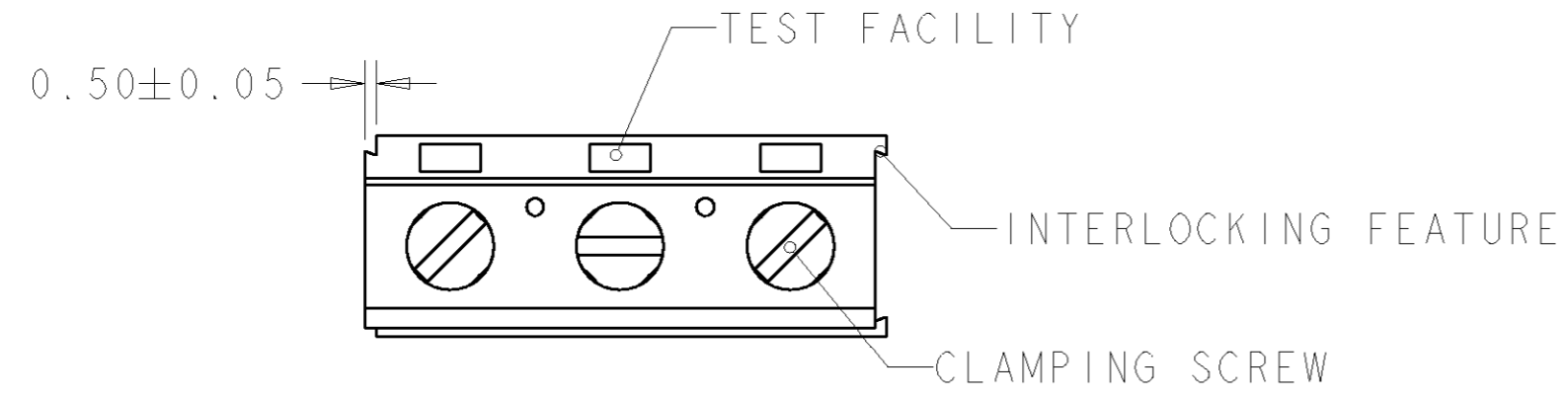
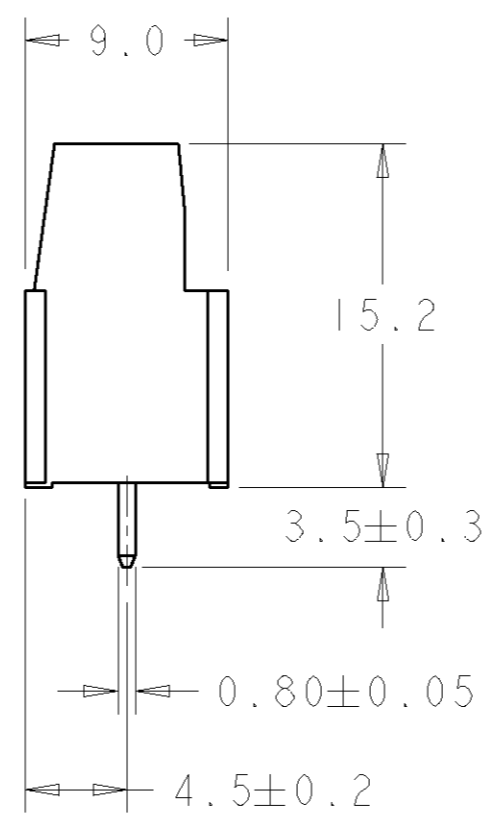
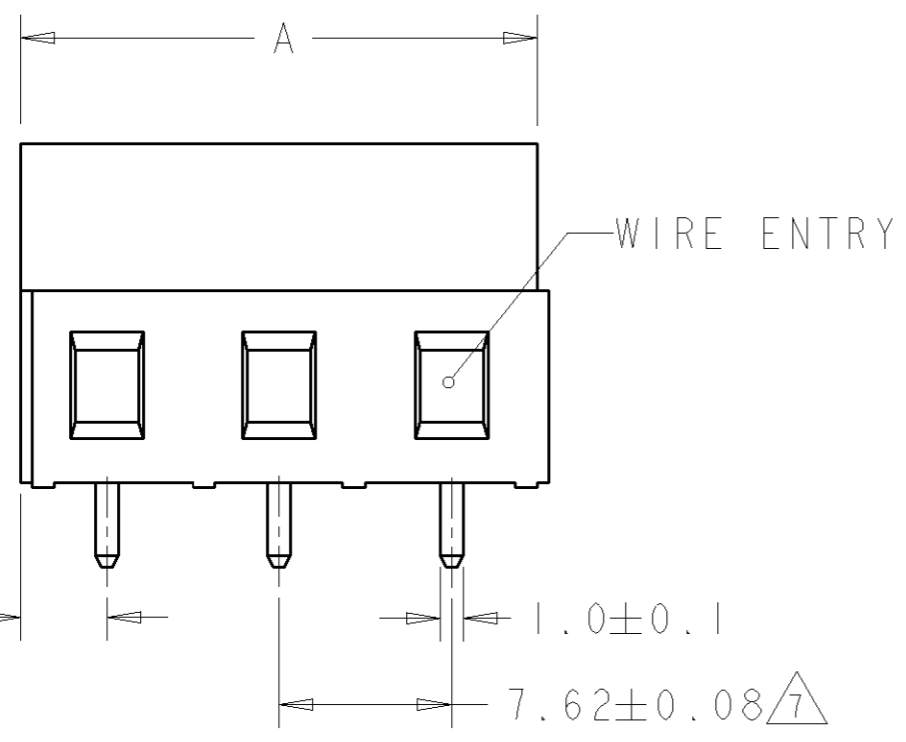


THIS DRAWING IS UNPUBLISHED. RELEASED FOR PUBLICATION 20
 © COPYRIGHT 20 BY TYCO ELECTRONICS CORPORATION. ALL RIGHTS RESERVED.

LOC	DIST	REVISIONS			
P	LTR	DESCRIPTION	DATE	DWN	APVD
		D	REVISED PER 0G3B-0119-01	16AUG2001	EZ DB
		E	REVISED EC 0G3B-0980-04	10NOV2004	SW CR

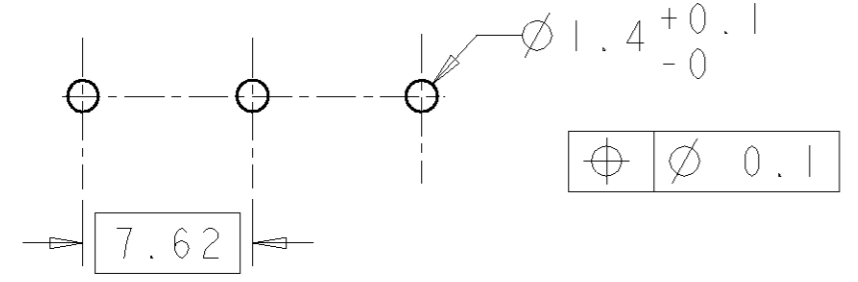


282845-3 AS SHOWN



MARKING	DIM. A	N° POS.	PART NUMBER
8	SEE SHEET 2	22.86	3
8	SEE SHEET 2	68.58	9
8	SEE SHEET 2	22.86	3
8	SEE SHEET 2	15.24	2
8	SEE SHEET 2	15.24	2
8	SEE SHEET 2	22.86	3
8	SEE SHEET 2	15.24	2
8	SEE SHEET 2	15.24	2
8	SEE SHEET 2	22.86	3
-	22.86	3	282845-3
-	15.24	2	282845-2

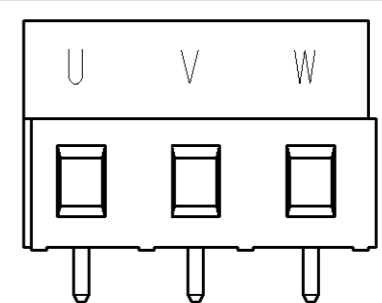
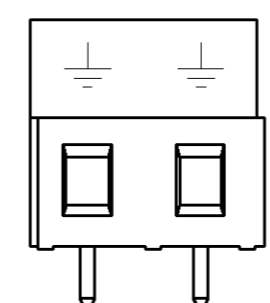
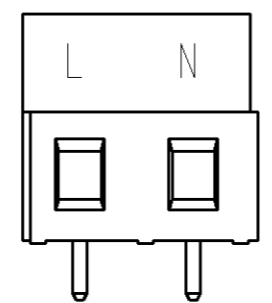
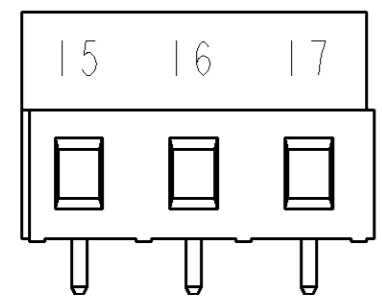
RECOMMENDED PCB BOARD LAYOUT



<small>THIS DRAWING IS A CONTROLLED DOCUMENT FOR TYCO ELECTRONICS CORPORATION IT IS SUBJECT TO CHANGE AND THE CONTROLLING ENGINEERING ORGANIZATION SHOULD BE CONTACTED FOR THE LATEST REVISION.</small>		DWN 16AUG2001 E. ZANOLINI CHR 16AUG2001 D. BIEVENOUR APVD 16AUG2001 D. BIEVENOUR		BUCHANAN Tyco Electronics Harrisburg, PA 17105-3608	
DIMENSIONS: mm		TOLERANCES UNLESS OTHERWISE SPECIFIED: 0 PLC ±. 1 PLC ±.3 2 PLC ±.25 3 PLC ±. 4 PLC ±. ANGLES ±2		NAME TERMINAL BLOCK PCB MOUNT SIDE WIRE ENTRY, STACKING W/INTERLOCK, 7.62mm PITCH	
MATERIAL 1-		FINISH 1-		PRODUCT SPEC 108-20166 APPLICATION SPEC 114-20079 WEIGHT -	
CUSTOMER DRAWING				SIZE A3 CAGE CODE 00779 DRAWING NO C=282845 RESTRICTED TO -	
SCALE 2:1				SHEET 1 OF 2 REV E	

THIS DRAWING IS UNPUBLISHED. RELEASED FOR PUBLICATION 20
 © COPYRIGHT 20 BY TYCO ELECTRONICS CORPORATION. ALL RIGHTS RESERVED.

LOC	DIST	REVISIONS			
P	LTR	DESCRIPTION	DATE	DWN	APVD
FT	0	-	SEE SHEET 1	-	-

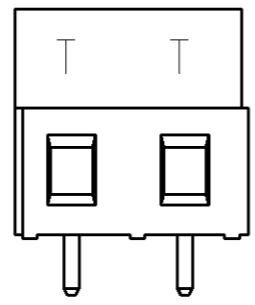
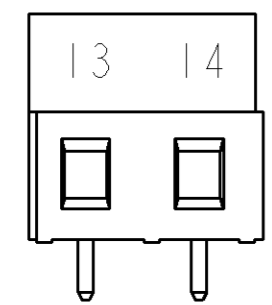


P/N 282845-5 AS SHOWN

P/N 282845-6 AS SHOWN

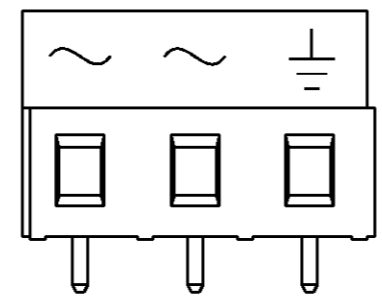
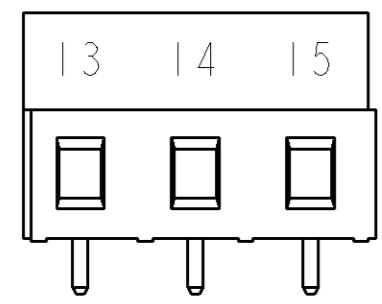
P/N 282845-7 AS SHOWN

P/N 282845-8 AS SHOWN



P/N 282845-9 AS SHOWN

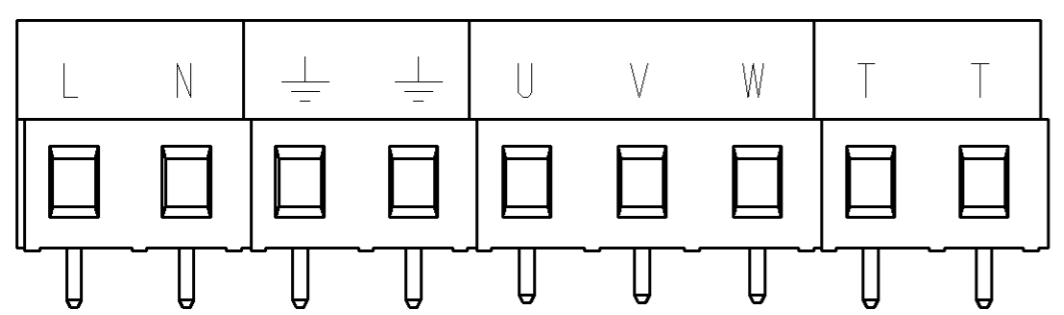
P/N 1-282845-0 AS SHOWN



P/N 1-282845-1 AS SHOWN

P/N 1-282845-3 AS SHOWN

- 1 MATERIALS AND FINISH
 HOUSING: PA 6-6, UL 94-V0, COLOR GREEN.
 CLAMP: BRASS, NICKEL PLATED.
 TERMINAL: BRASS, TIN PLATED.
 CLAMPING SCREW: M3, BRASS, NICKEL PLATED.
- 2 SUITABLE FOR 1,6-2,4mm. PCB THICKNESS.
- 3 END-TO-END STACKABLE W/INTERLOCK WITHOUT LOSS OF CENTERLINE SPACING.
- 4 WIRE SIZE RANGE
 SOLID WIRE: 0,03-2,5mm (13AWG)
 STRANDED WIRE: 0,03-1,5mm (15AWG)
- 5 RECOGNIZED UNDER THE COMPONENT PROGRAM OF UNDERWRITERS LABORATORIES INC. FILE N° E60677.
- 6 IMQ CERTIFICATE WITH SURVEILLANCE IN CONFORMITY WITH IEC 998-1/998-2-1.
- 7 NOT CUMULATIVE TOLERANCE.
- 8 INK MARKING, BLACK COLOR
- 9 P/N 1-282845-2 IS OBTAINED BY GLUING AND ASSEMBLING TOGETHER No.1 CONNECTOR P/N 282845-6, No.1 CONNECTOR P/N 282845-7, No.1 CONNECTOR P/N 282845-8 AND No.1 CONNECTOR P/N 1-282845-0



P/N 1-282845-2 AS SHOWN

<small>THIS DRAWING IS A CONTROLLED DOCUMENT FOR TYCO ELECTRONICS CORPORATION IT IS SUBJECT TO CHANGE AND THE CONTROLLING ENGINEERING ORGANIZATION SHOULD BE CONTACTED FOR THE LATEST REVISION.</small>		DWN	16AUG2001	BUCHANAN Tyco Electronics Harrisburg, PA 17105-3608							
DIMENSIONS: mm		CHK	16AUG2001								
		APVD	16AUG2001								
TOLERANCES UNLESS OTHERWISE SPECIFIED:		PRODUCT SPEC	-								
0 PLC ±- 1 PLC ±- 2 PLC ±- 3 PLC ±- 4 PLC ±- ANGLES ±-		APPLICATION SPEC	-	NAME	TERMINAL BLOCK PCB MOUNT SIDE WIRE ENTRY, STACKING W/INTERLOCK, 7.62mm PITCH						
MATERIAL	FINISH	WEIGHT	-	SIZE	A3	CAGE CODE	00779	DRAWING NO	282845	RESTRICTED TO	-
CUSTOMER DRAWING				SCALE	2:1	SHEET	2	OF	2	REV	E