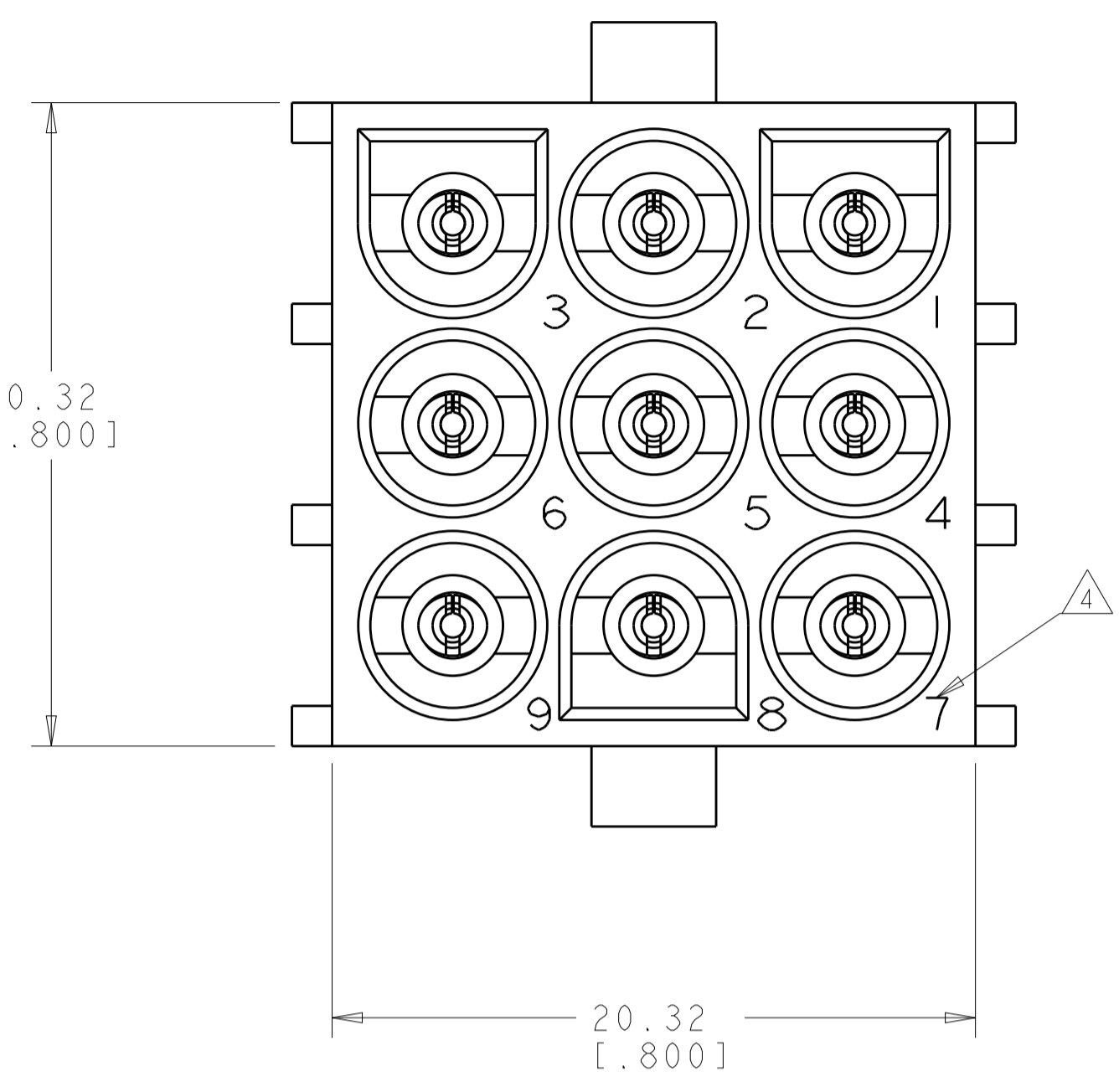
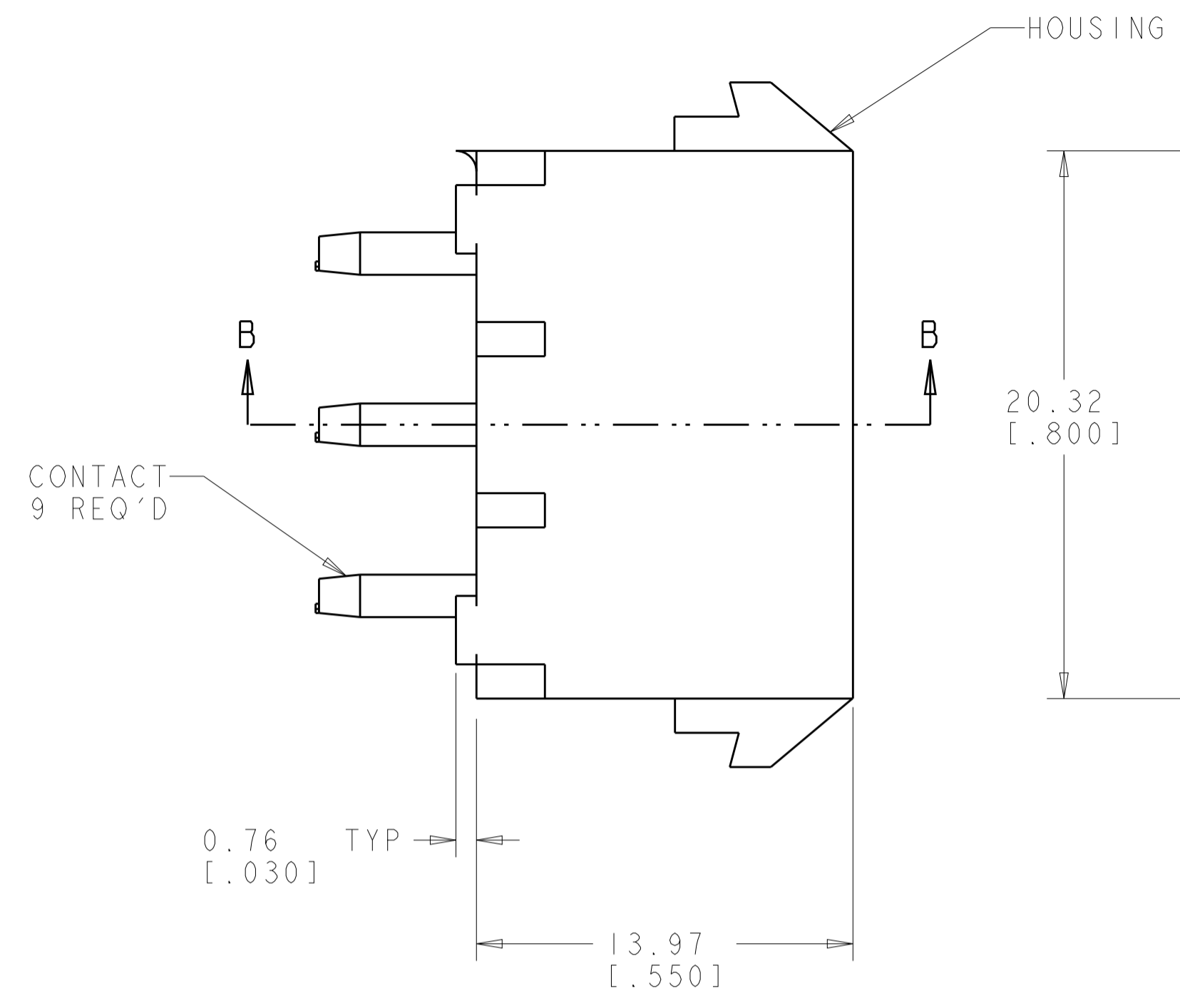
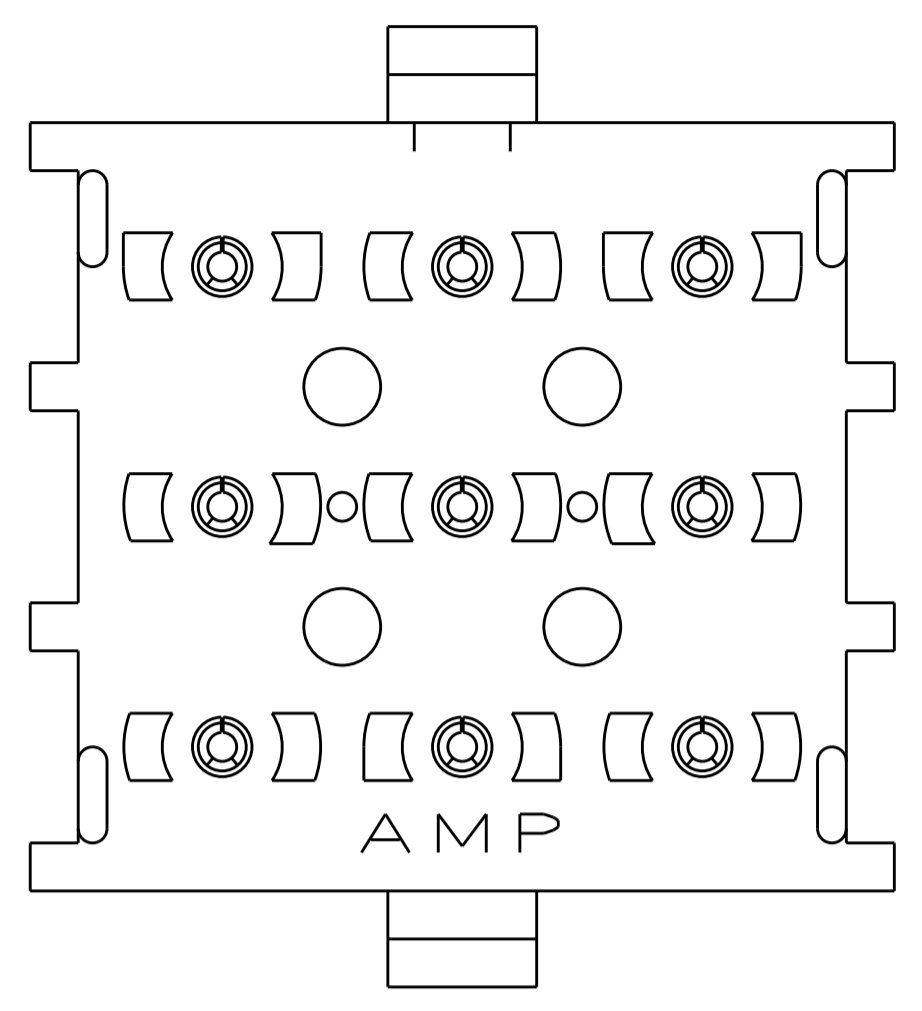
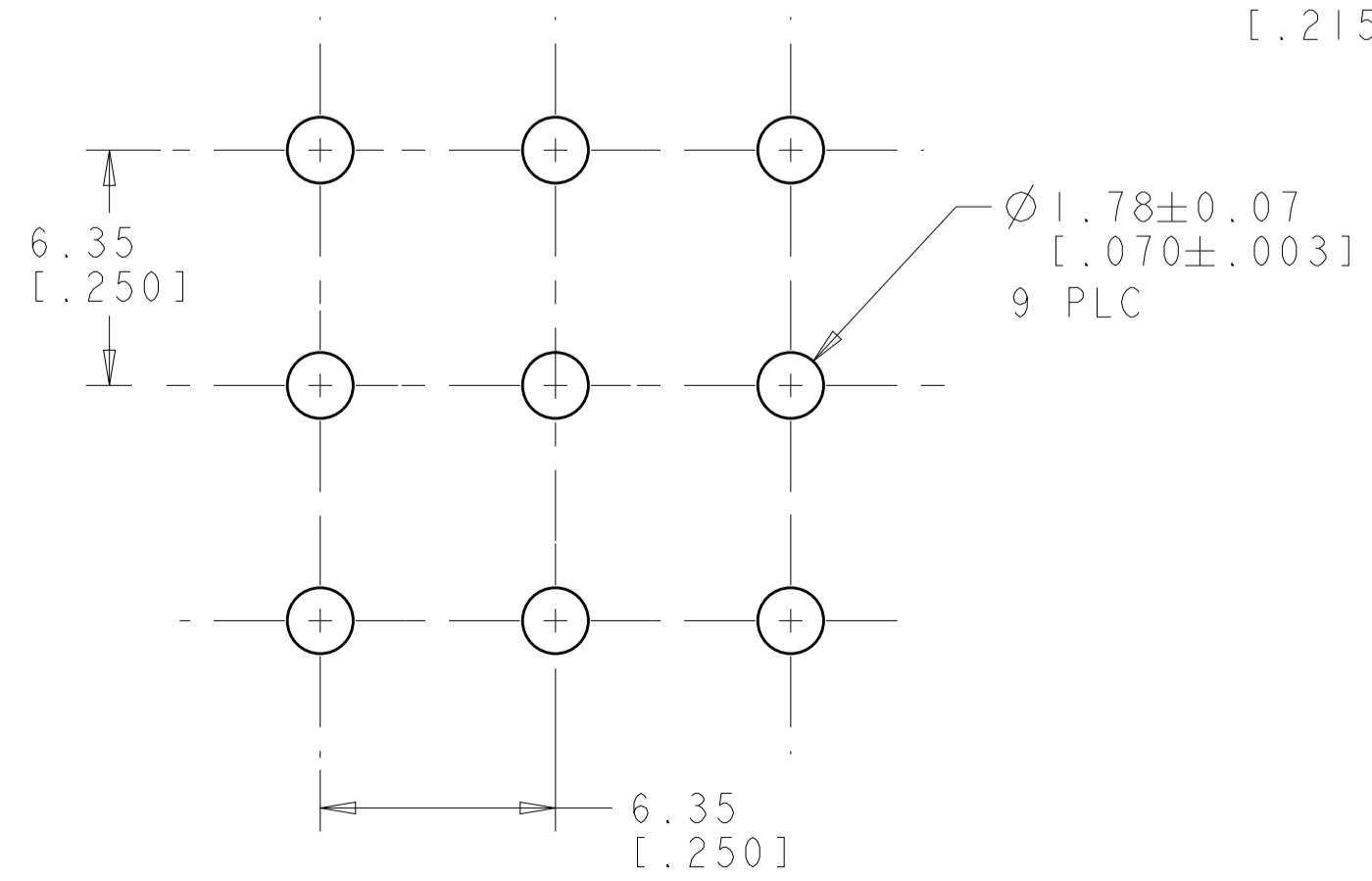
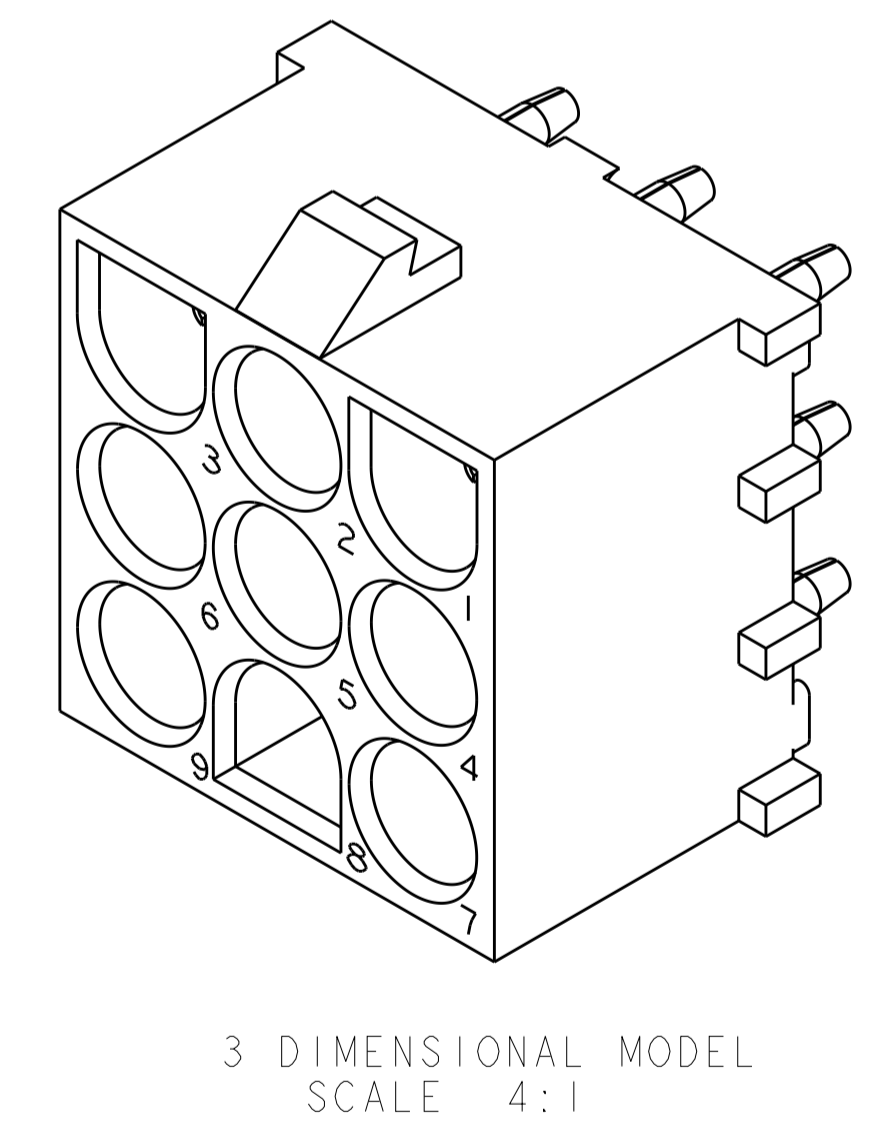
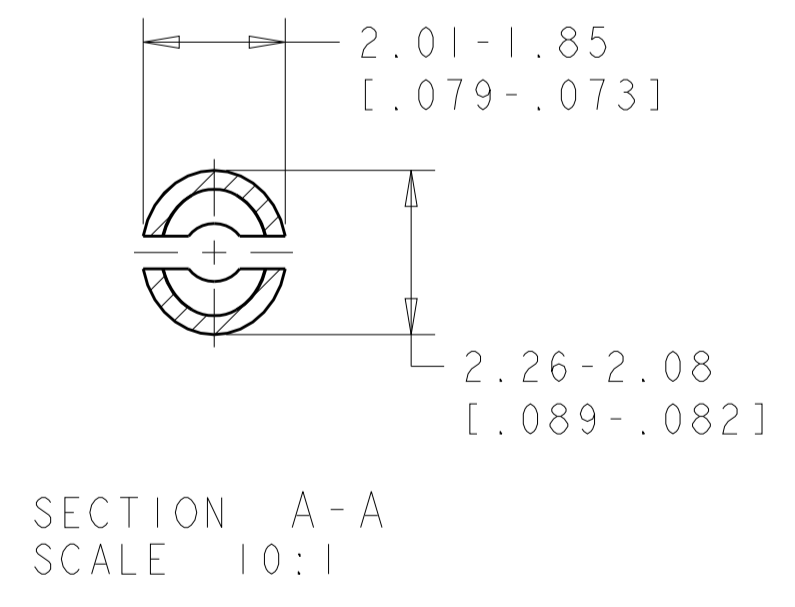
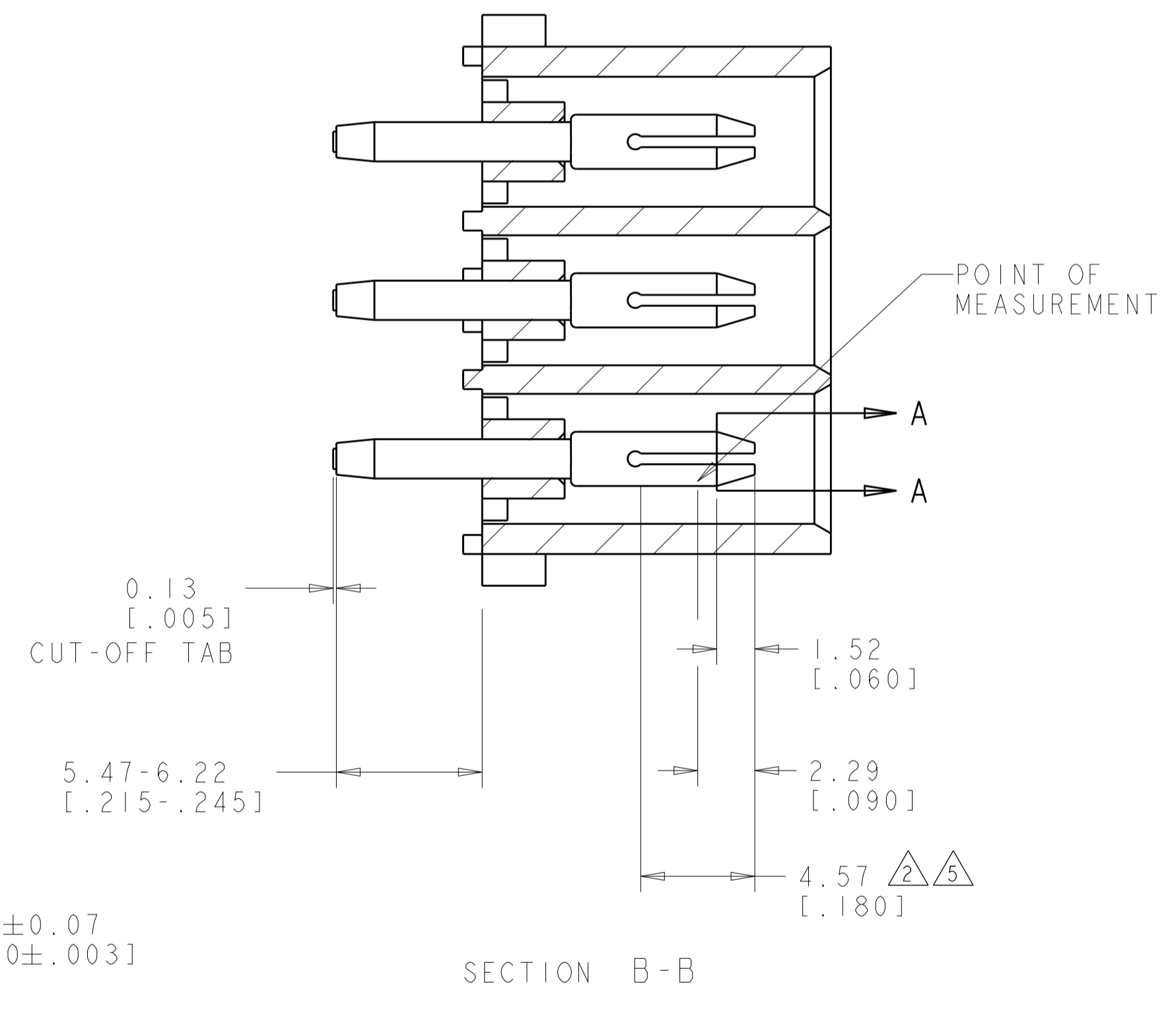


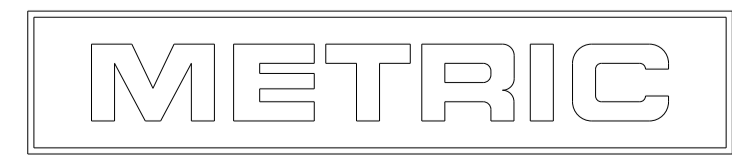
LOC		DIST		REVISIONS			
CM	00	P	LTN	DESCRIPTION	DATE	DWN	APVD
		T1		REVISED PER ECR-12-011660	24JAN2013	KH	TM



1. PARTS COMPLY TO AMP SOLDERABILITY SPECIFICATION 109-11-3.
- ⚠ CONTACT IS PLATED OVERALL WITH 0.00127 [.000050] NICKEL, THEN 0.00076 [.000030] GOLD OVER CONTACT LENGTH INDICATED AND TIN LEAD ON SOLDER TAIL END.
3. MATES WITH HOUSING 480706.
- ⚠ CIRCUIT IDENTIFICATION CHARACTERS ARE ADJACENT TO THE INDICATED CAVITIES, BUT LOCATION AND ORIENTATION MAY DIFFER FROM PRINT.
- ⚠ CONTACT IS PLATED OVERALL WITH 0.00127 [.000050] NICKEL, THEN 0.00076 [.000030] GOLD OVER CONTACT LENGTH INDICATED AND MATTE TIN ON SOLDER TAIL END.
6. DIMENSIONS IN BRACKETS ARE IN INCHES.
- ⚠ SUPERSEDED BY 350586-4



PHOSPOR BRONZE, GOLD ⚠	NYLON, UL94V-2, NATURAL	350586-4
⚠ PHOSPOR BRONZE, GOLD ⚠	NYLON, UL94V-2, NATURAL	350586-2
PHOSPOR BRONZE, PRE-TIN	NYLON, UL94V-2, NATURAL	350586-1
PIN CONTACT MATERIAL AND FINISH	HOUSING MATERIAL AND COLOR	PART NUMBER



THIS DRAWING IS A CONTROLLED DOCUMENT.		DWN: H. WHITAKER 19JULY2005	TE Connectivity
DIMENSIONS: mm [INCHES]		CHK: S. RIDGILL 19JULY2005	
TOLERANCES UNLESS OTHERWISE SPECIFIED:		APVD: S. RIDGILL 19JULY2005	NAME: PIN HEADER ASSEMBLY, 9 CIRCUIT, UNIVERSAL MATE-N-LOK(TM)
0 PLC ±	1 PLC ±	2 PLC ±	PRODUCT SPEC
3 PLC ±	4 PLC ±	ANGLES ±	APPLICATION SPEC
MATERIAL: SEE TABLE	FINISH: SEE TABLE	WEIGHT: -	SIZE: A1
CUSTOMER DRAWING		SCALE: 5:1	SHEET 1 OF 1

Mouser Electronics

Authorized Distributor

Click to View Pricing, Inventory, Delivery & Lifecycle Information:

[TE Connectivity:](#)

[350586-1](#)