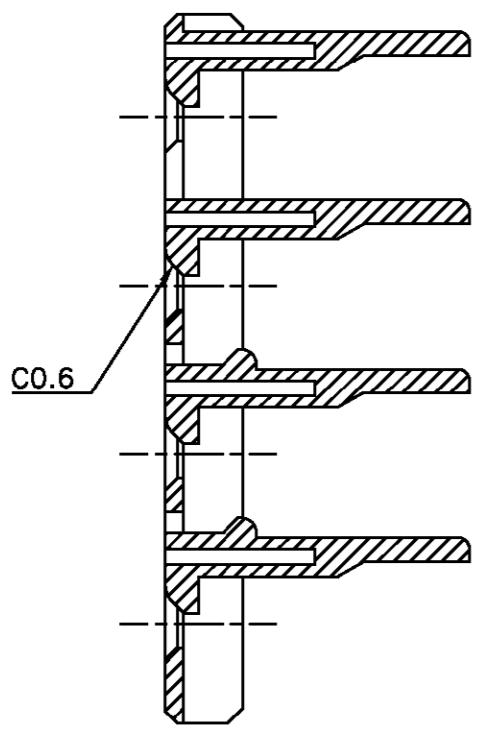
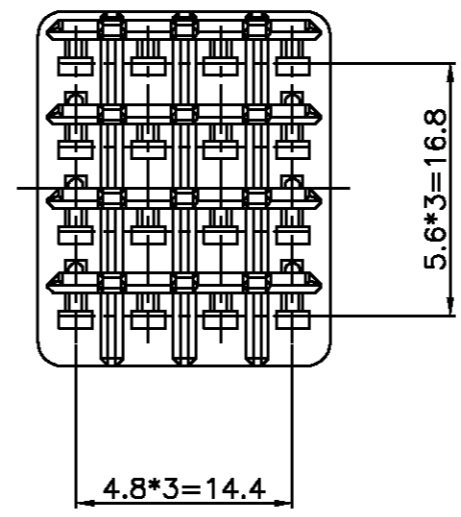
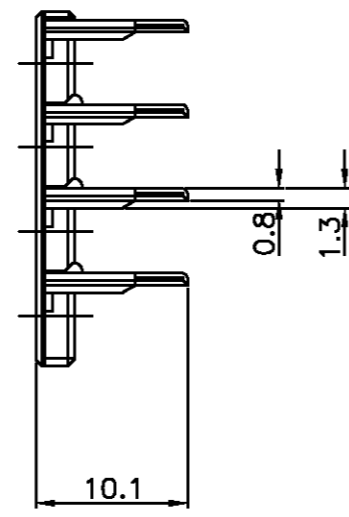
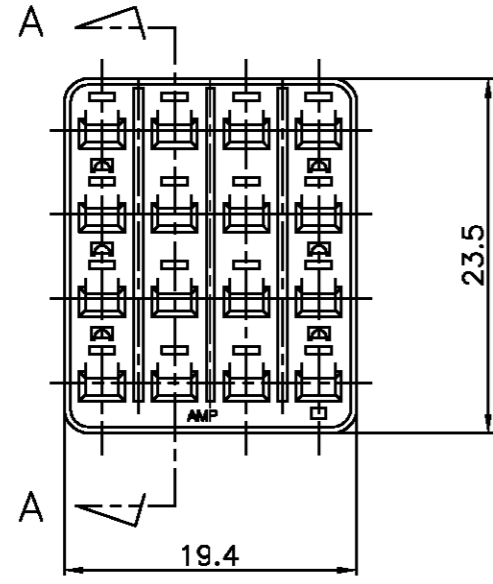
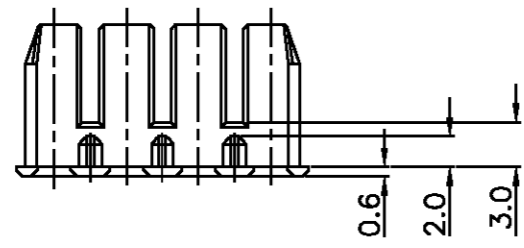



P	LTR	DESCRIPTION	DATE	DWN	APVD
A1		REVISED PER ECO-11-005294	12APR11	RK	HMR



SECT A-A

NOTE;

- 1. TO BE MATED WITH PLUG HSG(P/N 368048) SMOOTHLY

DIMENSIONS: mm		TOLERANCES UNLESS OTHERWISE SPECIFIED:		① YELLOW		PBT		16POS. DBL PLATE FOR PLUG HSG ECONOSEAL J-MARK™ CONNECTOR		368049-1	
3rd ANGLE PROJECTION		0 <XX<10 ± 0.2		CHG BM JANG		MATERIAL		NAME		PART NUMBER	
MATERIAL SEE TABLE		10<XX<30 ± 0.25		APVD: CS LEE		NAME		 TE Connectivity 16POS. DBL PLATE FOR PLUG HSG ECONOSEAL J-MARK CONNECTOR		RESTRICTED TO	
COLOR SEE TABLE		30<XX ± 0.3		PRODUCT SPEC		SIZE				CAGE CODE	
		ANGLES ± 3°		APPLICATION SPEC		WEIGHT		A3		00779C= 368049	
				CUSTOMER DRAWING		SCALE 2/1		SHEET 1 OF 1		REV A1	