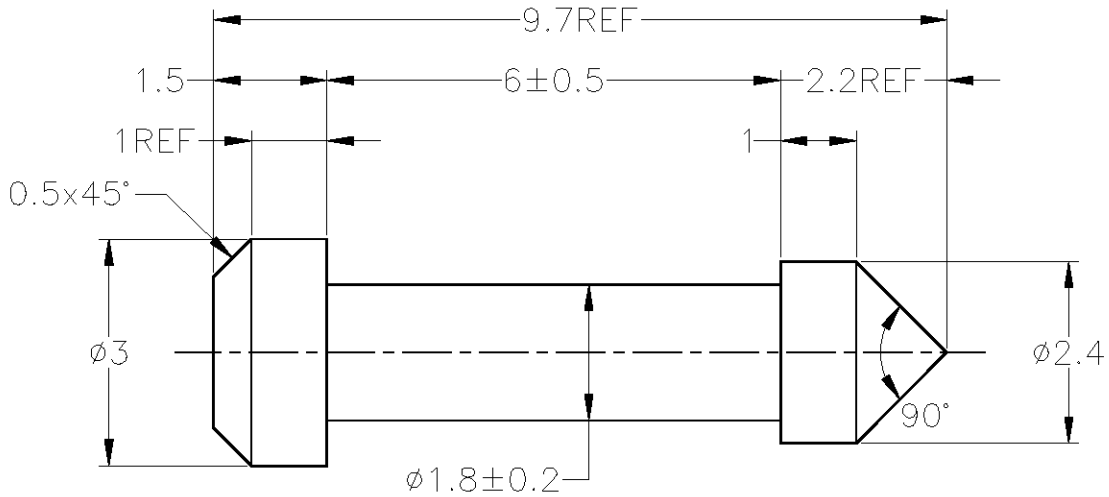


LOC J	DIST —	REVISIONS			
P	LTR	DESCRIPTION	DATE	DWN	APVD
	P2	REVISED	ECR-14-002145	20FEB2014	TS KB



1. 一般公差：±0.3
 2. 材質：ポリアセタール樹脂
 色調：白（自然色）

1. GENERAL TOLERANCE：±0.3
 2. MATERIAL：P.O.M
 COLOR：WHITE（NATURAL）


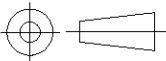
RELEASED FOR PUBLICATION

ALL RIGHTS RESERVED.

By Tyco Electronics JAPAN G.K.

THIS DRAWING IS UNPUBLISHED.

3400130	4-1437284-3
OLD PART NUMBER	PART NUMBER

DIMENSIONS: mm	DWN T.SHINOHARA 28MAR2012	MATERIAL △ FINISH —
	CHK K.BETSUI 28MAR2012	 TE Connectivity
TOLERANCES UNLESS OTHERWISE SPECIFIED:	APVD K.BETSUI 28MAR2012	
0 PLC ± -	PRODUCT SPEC 108-78047	SIZE A4
1 PLC ± -	APPLICATION SPEC —	CAGE CODE 00779
2 PLC ± -	WEIGHT 0.04 g	DRAWING NO C-4-1437284-3
3 PLC ± -		RESTRICTED TO —
4 PLC ± -		SCALE 10:1
ANGLES ± -	CUSTOMER DRAWING	SHEET 1 OF 1
		REV P2