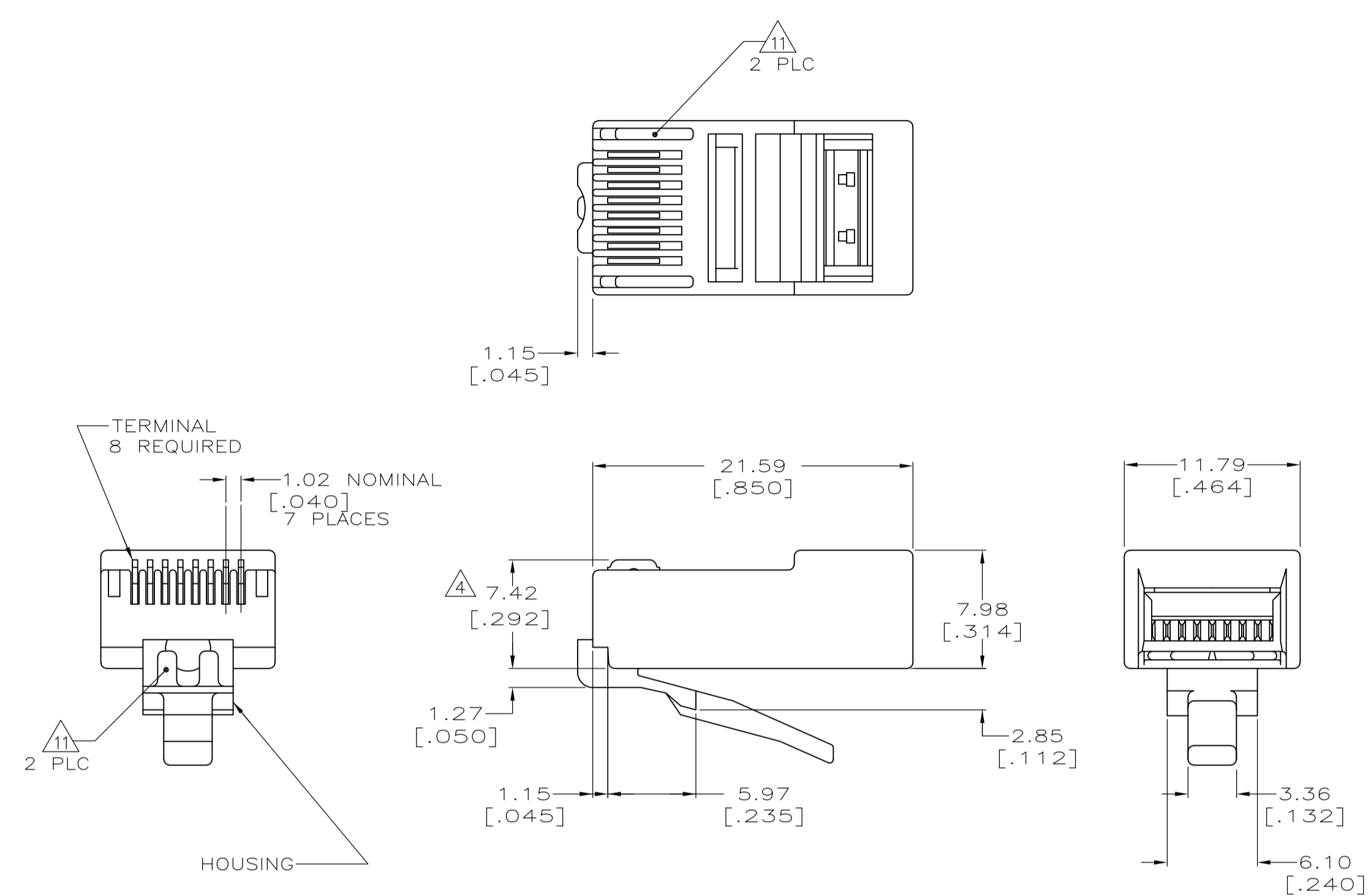


LOC	DIST	REVISIONS			
P	LTR	DESCRIPTION	DATE	DWN	APVD
T		REV; ECO-14-004548	27MAR2014	GG	JG



- 1. DIMENSIONS ARE MAXIMUM UNLESS OTHERWISE SPECIFIED.
- 2. MATERIAL: HOUSING-POLYCARBONATE,CLEAR. TERMINAL - .36 [.014] THICK PHOSPHOR BRONZE PLATED WITH .178 μ m[.000007] THICK GOLD IN LOCALIZED PLATE AREA, OVER .762 μ m[.000030] THICK PALLADIUM NICKEL IN LOCALIZED PLATE AREA OVER 2.54 μ m[.000100] THICK NICKEL ON ENTIRE CONTACT.
- 3. PLUG WILL ACCEPT 26 OR 28 AWG STRANDED WIRE HAVING A MAXIMUM INSULATION DIAMETER OF 0.89-0.99[.035-.039] AND A MAXIMUM OVAL CABLE JACKET OF 2.54 X 8.89[.100 X .350].
- 4. TERMINATED DIMENSION 6.15[.242] MAXIMUM.
- 6. 10,000 ASSEMBLIES PER PACKAGE.
- 7. 500 ASSEMBLIES PER PACKAGE.
- 8. 100 ASSEMBLIES PER PACKAGE.

8	5-554739-3
7	5-554739-2
6, 11	5-554739-1
REELED	554739-1
PACKAGED	PART NUMBER

SUPSD BY 5-554739-2

THIS DRAWING IS A CONTROLLED DOCUMENT.		DWN YTP/UTA 8-27-93	STE TE Connectivity	
DIMENSIONS: mm[INCHES]		CHK C.WHITT 9-15-93		
TOLERANCES UNLESS OTHERWISE SPECIFIED:		APVD TONEY/MCGRATH 9-20-93	NAME	
0 PLC ± -		PRODUCT SPEC		
1 PLC ± - 1		108-1163		
2 PLC ± -		APPLICATION SPEC		
3 PLC ± -		114-6016		
4 PLC ± -		WEIGHT -		
ANGLES ± -		SIZE A2 CAGE CODE 00779 DRAWING NO 554739 RESTRICTED TO -		
MATERIAL - 2		FINISH - 2		
		CUSTOMER DRAWING SCALE 4:1 SHEET 1 OF 1 REV T		

Mouser Electronics

Authorized Distributor

Click to View Pricing, Inventory, Delivery & Lifecycle Information:

[TE Connectivity:](#)

[5-554739-2](#)