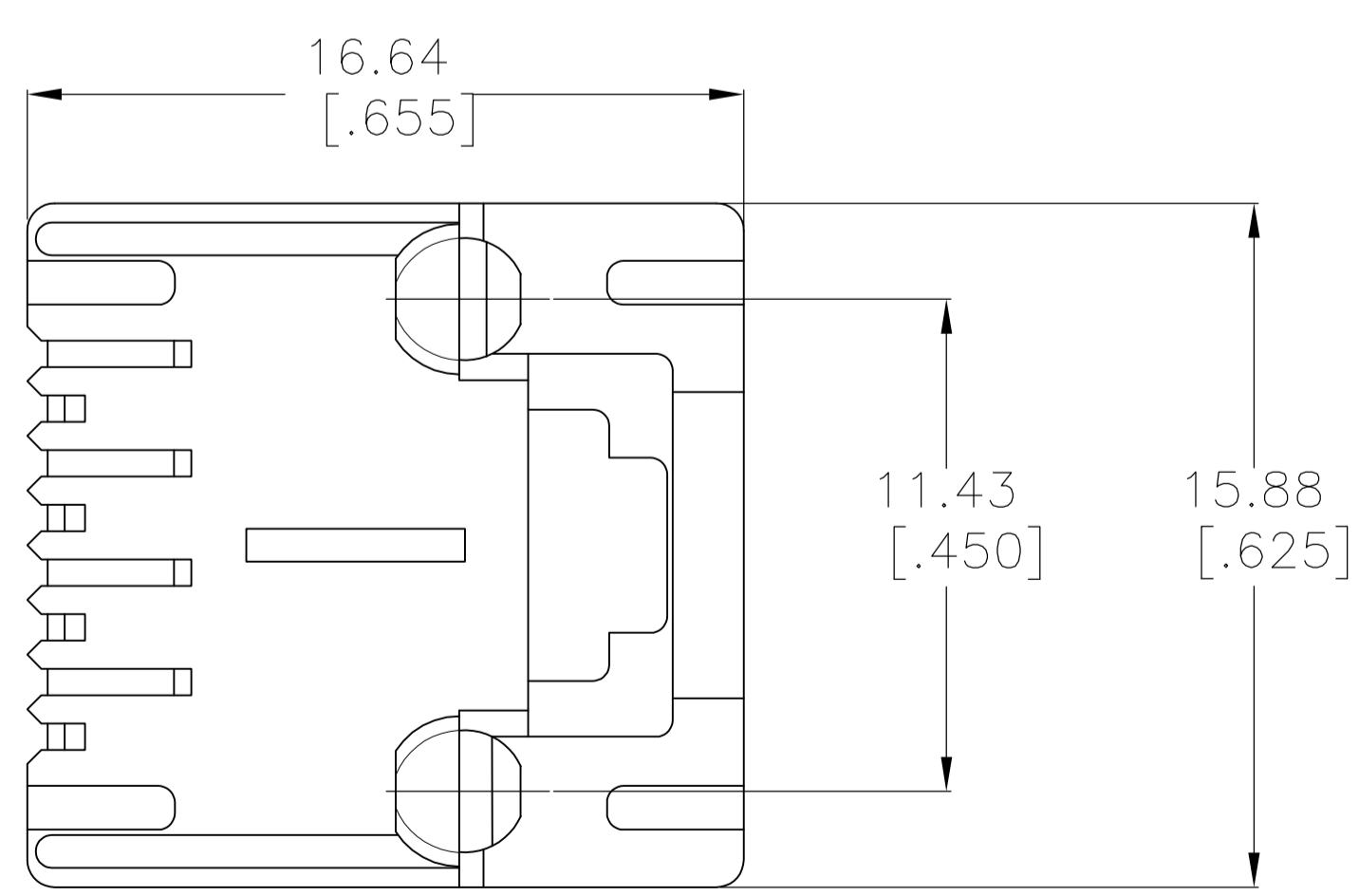
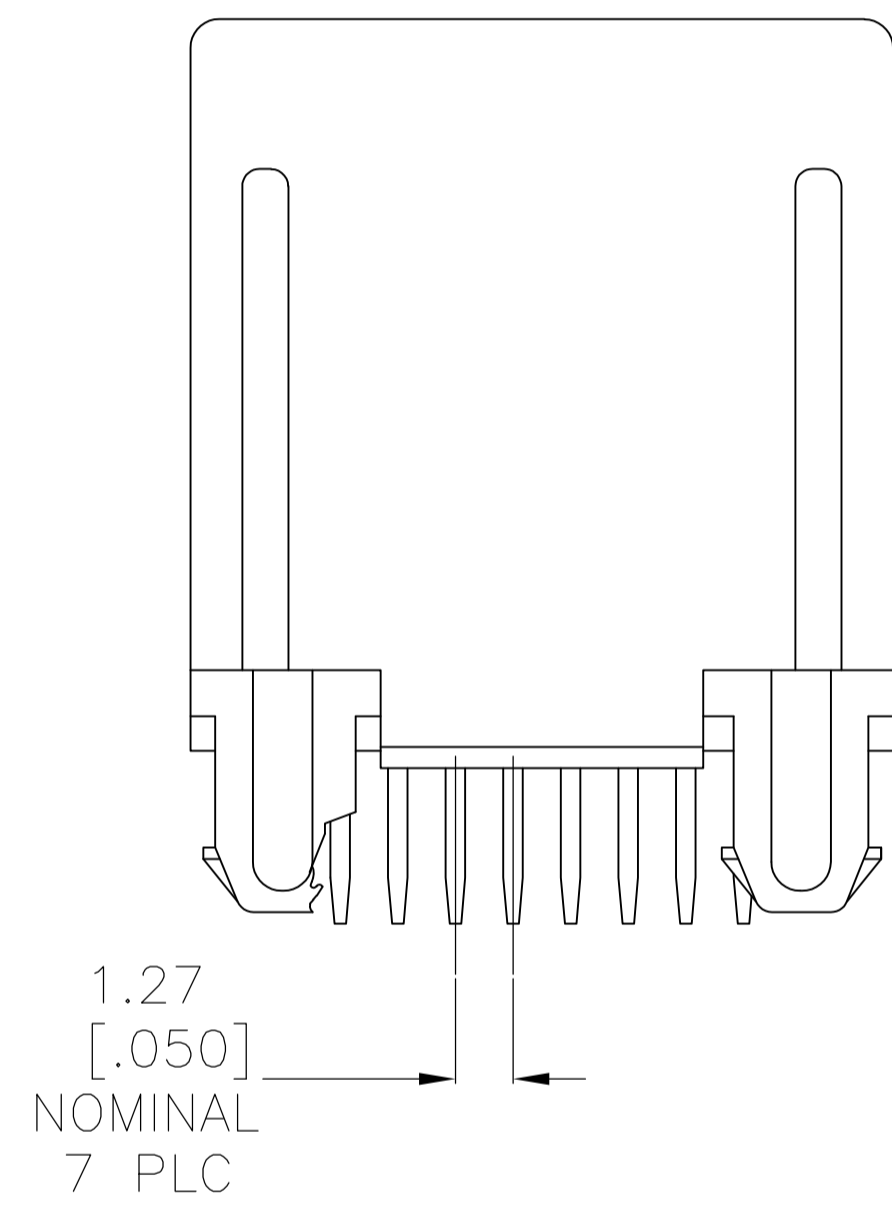
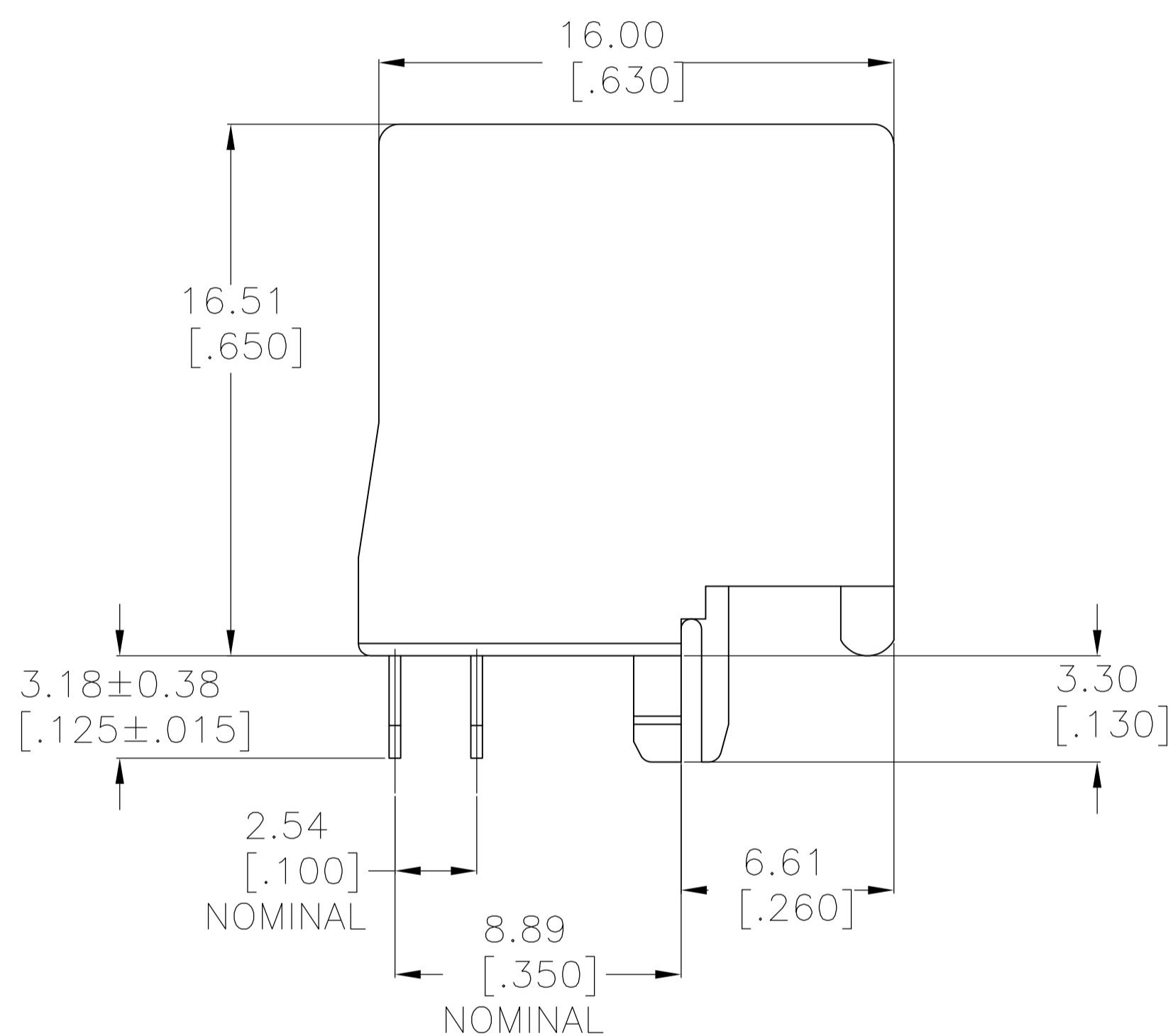
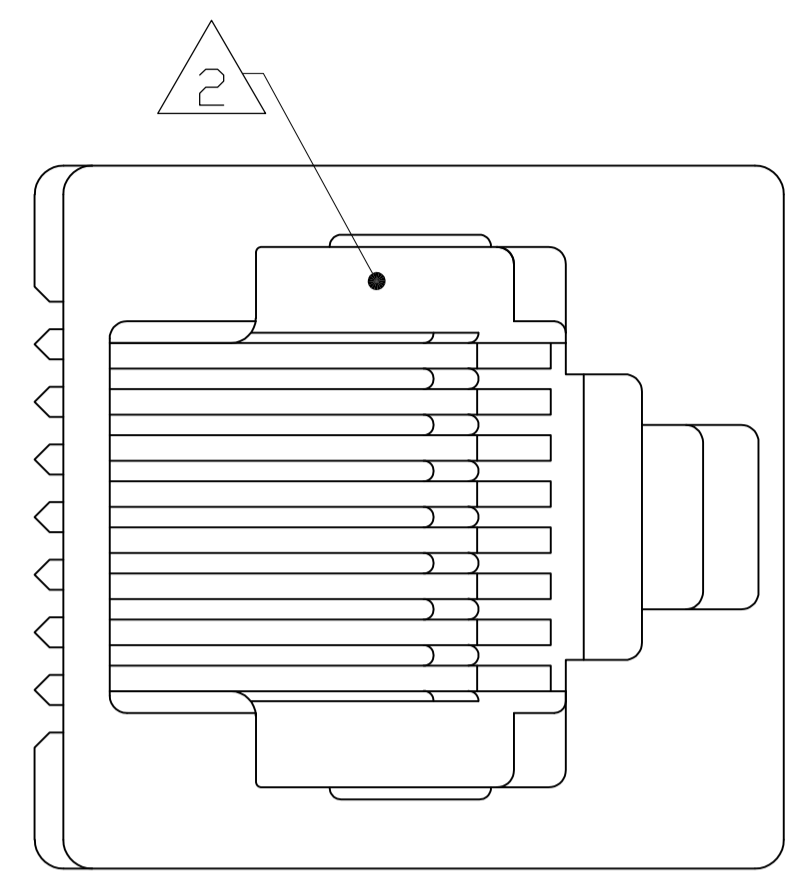
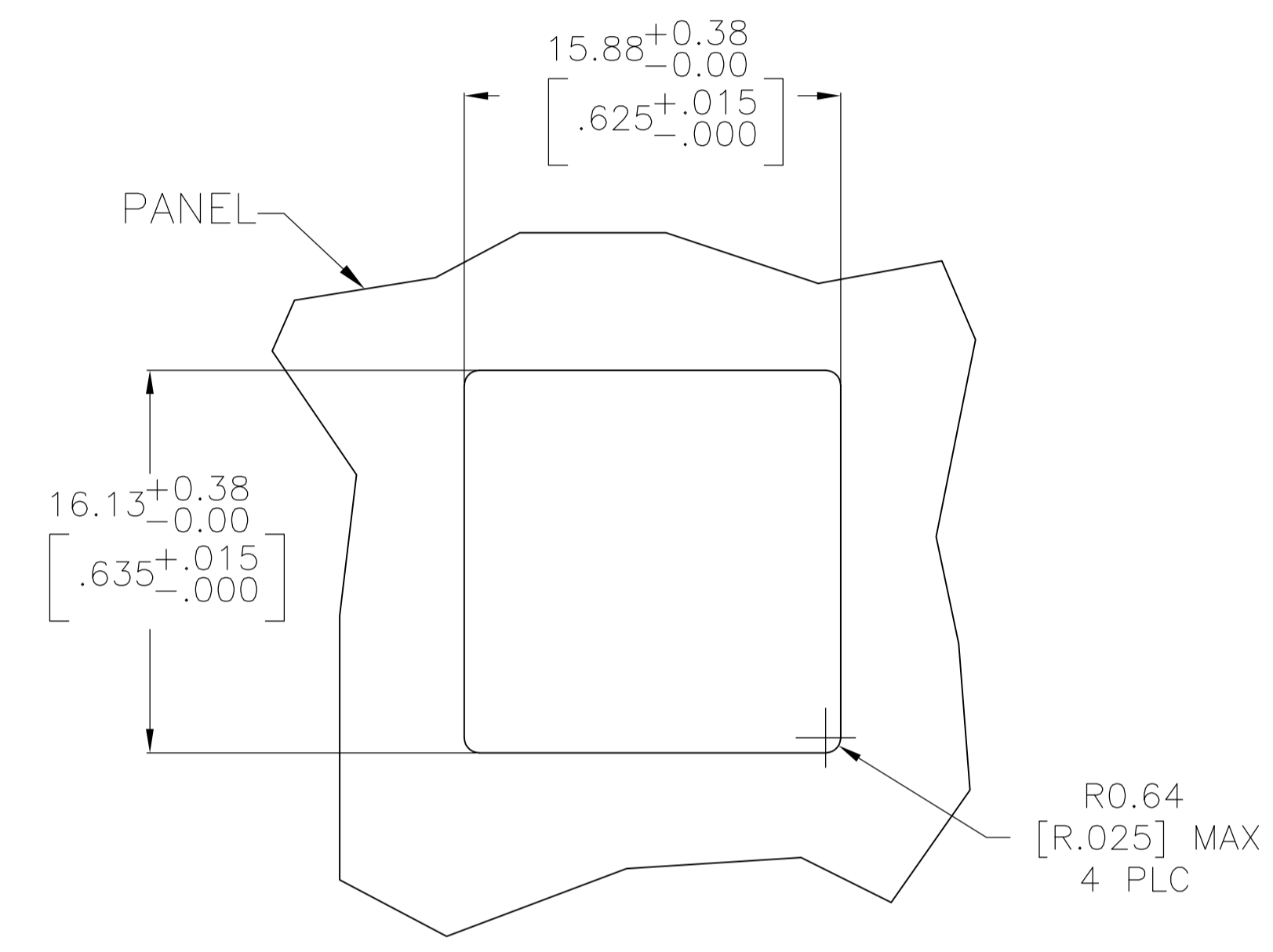


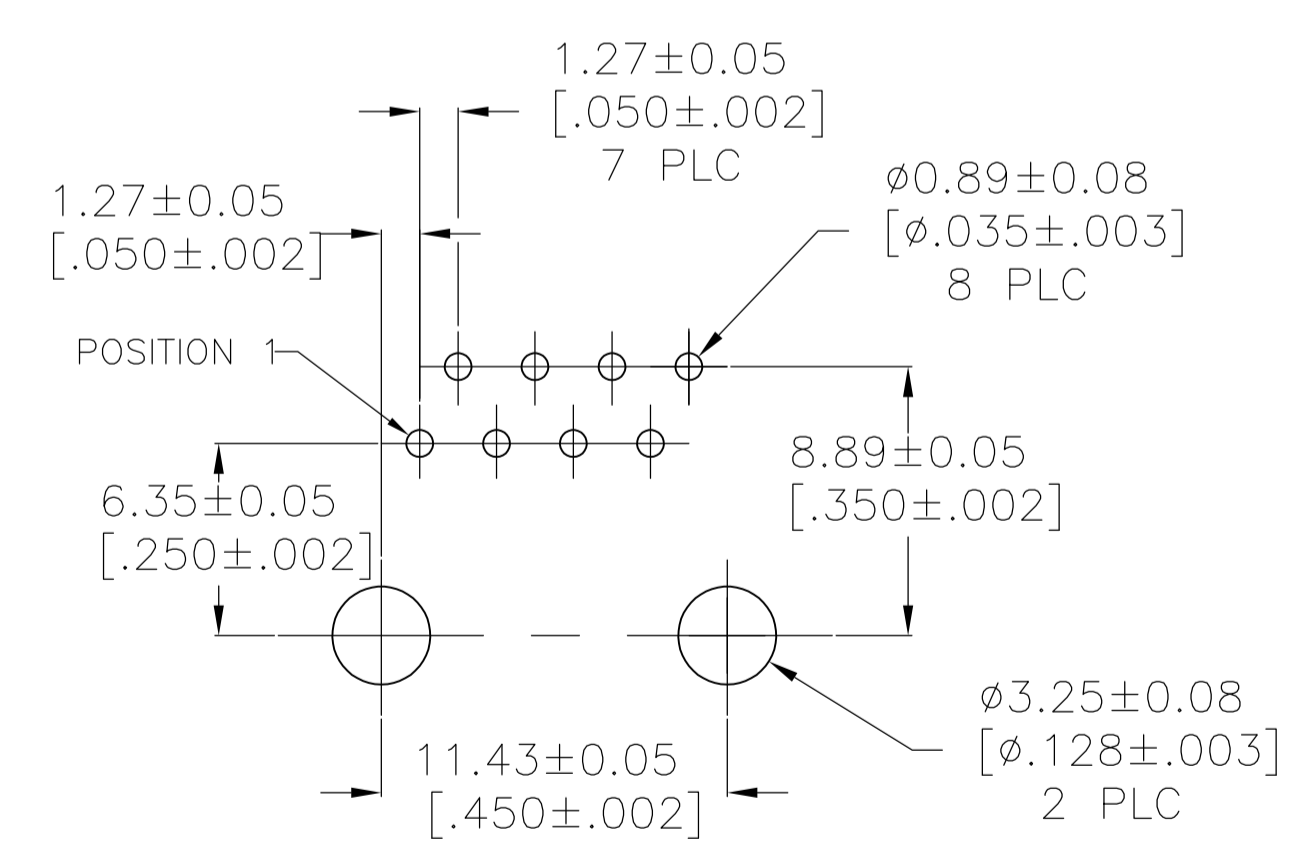
LOC		DIST		REVISIONS			
AA	00	REV	DATE	BY	CHK	APPV	
C1	REVISED PER ECO-11-005033	23MAR11	RK	HMR			



- MATERIAL: HOUSING- PBT POLYESTER, BLACK.
TERMINAL- 0.36[.014] THICK PHOS BRONZE PLATED WITH 1.27μm[.000050] MINIMUM THICK HARD GOLD LOCALIZED GOLD PLATE AREA AND 3.81μm[.000150] MINIMUM THICK MATTE TIN IN SOLDER AREA OVER 1.27μm[.000050] MINIMUM THICK NICKEL UNDERPLATE.
- CAVITY CONFORMS TO FCC RULES AND REGULATIONS PART 68 AND REA BULLETIN 345-81, PE-76 SPECIFICATION FOR MODULAR TELEPHONE HARDWARE.
- ALL DIMENSIONS SHOWN ARE MAXIMUM UNLESS OTHERWISE SPECIFIED.
- BULK PACKAGED IN A TRAY.
- PACKAGED 30 PER TUBE.



RECOMMENDED PANEL CUTOUT
SCALE 4:1



RECOMMENDED PRINTED CIRCUIT BOARD LAYOUT
COMPONENT SIDE
SCALE 4:1

5	5556416-2
4	5556416-1
PACKAGED	PART NO

THIS DRAWING IS A CONTROLLED DOCUMENT.		DIN E. LATTUCA 12SEPT05		TE Connectivity	
DIMENSIONS: mm [INCHES]		CHK J. WESTMAN 12SEPT05			
TOLERANCES UNLESS OTHERWISE SPECIFIED:		APPV S. FLICKINGER 12SEPT05		NAME	
0 PLC ± -		PRODUCT SPEC		MODULAR JACK ASSEMBLY, TOP ENTRY, 8 POSITION, FLANGELESS, WITHOUT PANEL STOPS	
1 PLC ± -		APPLICATION SPEC		108-1163	
2 PLC ± -		SIZE		A1	
3 PLC ± -		CAGE CODE		114-2048	
4 PLC ± -		DRAWING NO		00779	
ANGLES ± -		WEIGHT		5556416	
MATERIAL SEE NOTE 1		FINISH SEE NOTE 1		CUSTOMER DRAWING	
		SCALE		6:1	
		SHEET		1 OF 1	
		REV		C1	

Mouser Electronics

Authorized Distributor

Click to View Pricing, Inventory, Delivery & Lifecycle Information:

[TE Connectivity:](#)

[5556416-2](#)