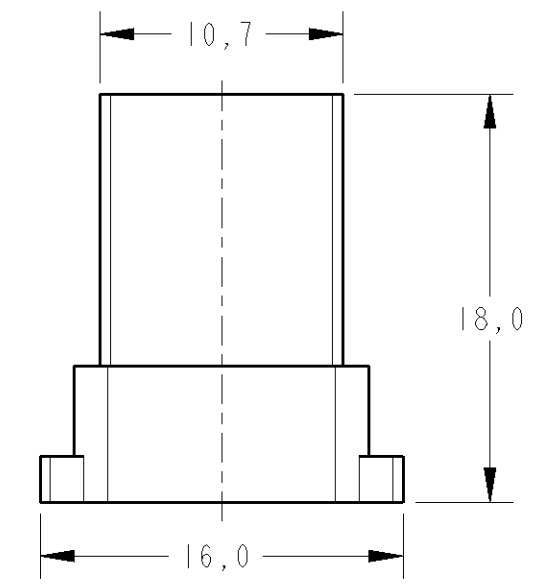
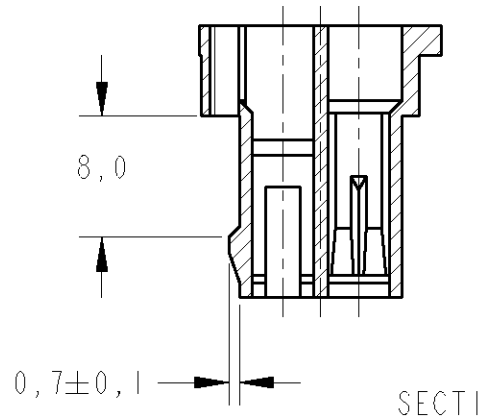
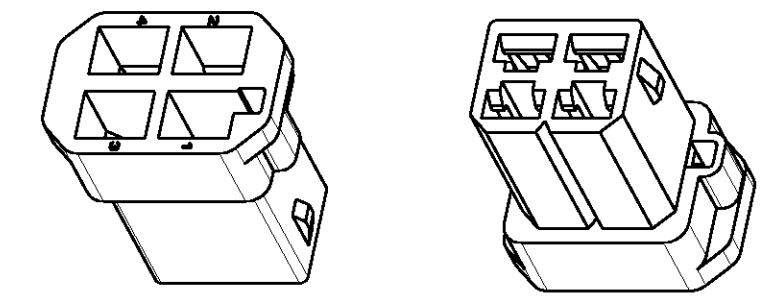
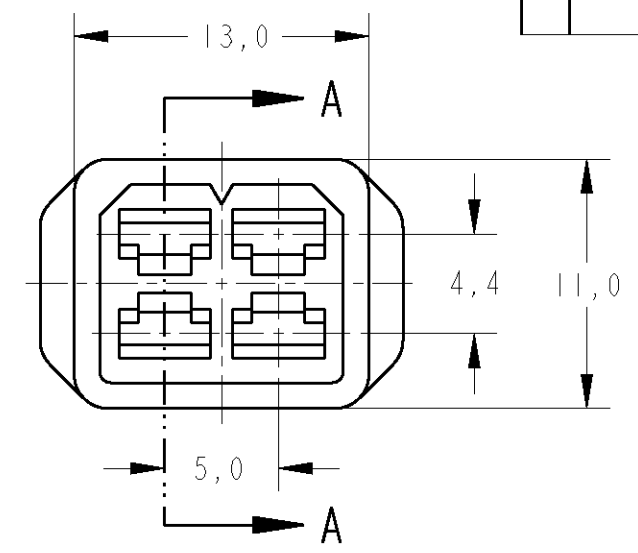
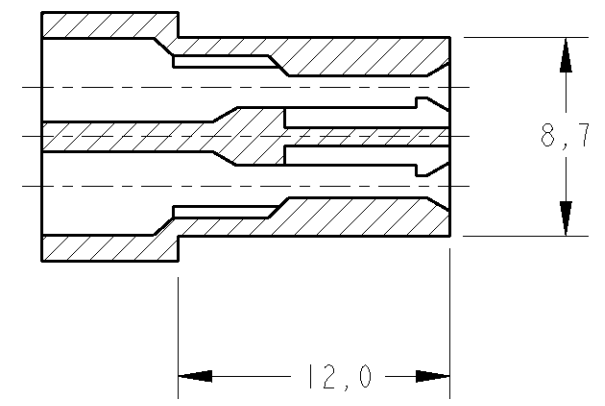
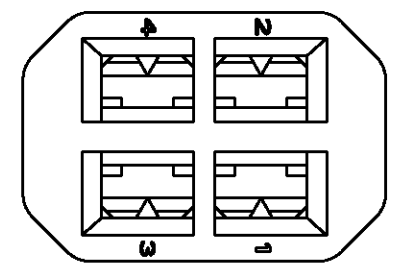


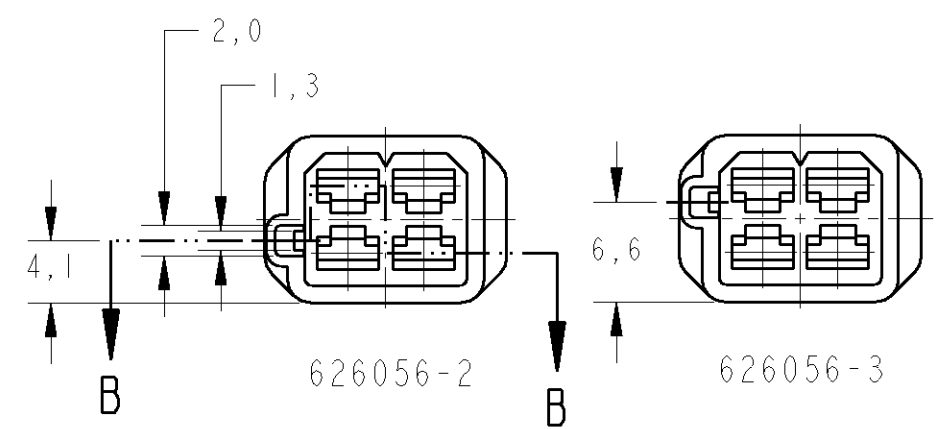
THIS DRAWING IS UNPUBLISHED. RELEASED FOR PUBLICATION
 © COPYRIGHT 19 BY TYCO ELECTRONICS CORPORATION. ALL RIGHTS RESERVED.

LOC	DIST	REVISIONS			
P	LTR	DESCRIPTION	DATE	DWN	APVD
AP	-				
	E	REDRAW BY EC 0193/99	28JUN99	FSM	PLF
	F	REVISED BY EC 0324/99	22JUL99	FSM	PLF
	G	REVISED BY LE10-0121/04	08JUL2004	H.C	WLS

CAD
Pro-E
 DO NOT REVISE
 EXCEPT BY CAD



PERSPECTIVE VIEW
 SCALE 2:1



626056-0
 626056-1
 626056-4

626056-2

626056-3

DETAILS FOR POLARIZATION

RAW MAT'L NO	FINISH	MATERIAL	PART NUMBER
---	PRETO/BLACK	PA4.6 (HIGH TEMPERATURE)	626056-4
---	PRETO/BLACK	P.A. 6.6	626056-3
---	NATURAL	P.A. 6.6	626056-2
---	PRETO/BLACK	P.A. 6.6	626056-1
---	NATURAL	P.A. 6.6	626056-0

THIS DRAWING IS A CONTROLLED DOCUMENT FOR TYCO ELECTRONICS CORPORATION. IT IS SUBJECT TO CHANGE AND THE CONTROLLING ENGINEERING ORGANIZATION SHOULD BE CONTACTED FOR THE LATEST REVISION.

DIMENSIONS: mm	TOLERANCES UNLESS OTHERWISE SPECIFIED: 0 PLC ± 1 PLC ±0.3 2 PLC ± 3 PLC ± 4 PLC ± ANGLES ±	DWN F.S.MARTINS 17JUN99 CHK P.L.FARIA 28JUN99 APVD J.M.M.NETO 28JUN99	AMP AMP do Brasil LTDA. São Paulo, Brasil
MATERIAL SEE TABLE	FINISH SEE TABLE	PRODUCT SPEC - APPLICATION SPEC - WEIGHT -	
		NAME HOUSING, 4 POSN., .110 FASTEN-ON RCPT.	RESTRICTED TO -
		SIZE A3 CAGE CODE 00779 DRAWING NO C=626056	SCALE 3:1 SHEET 1 OF 1 REV G

CUSTOMER DRAWING