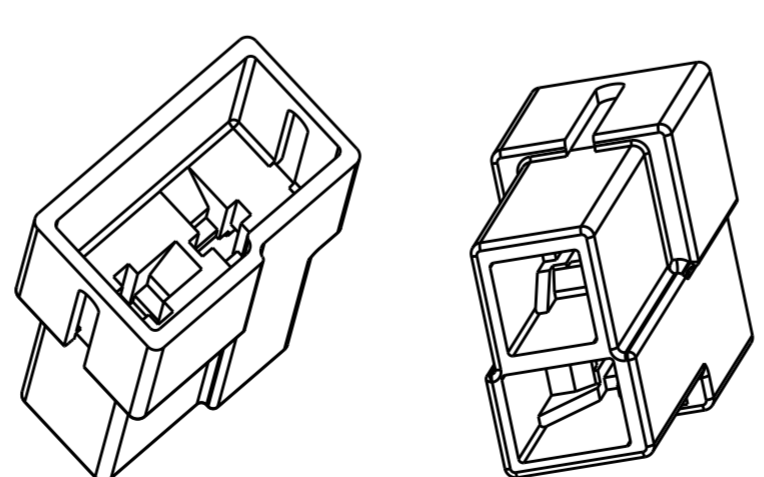
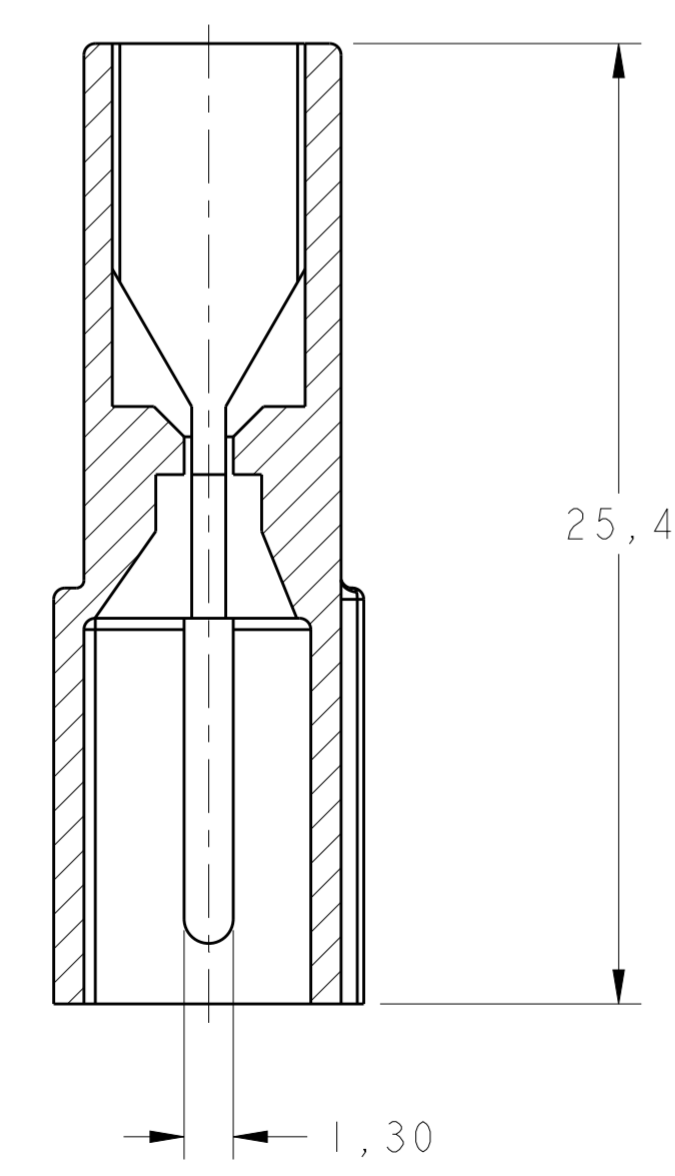
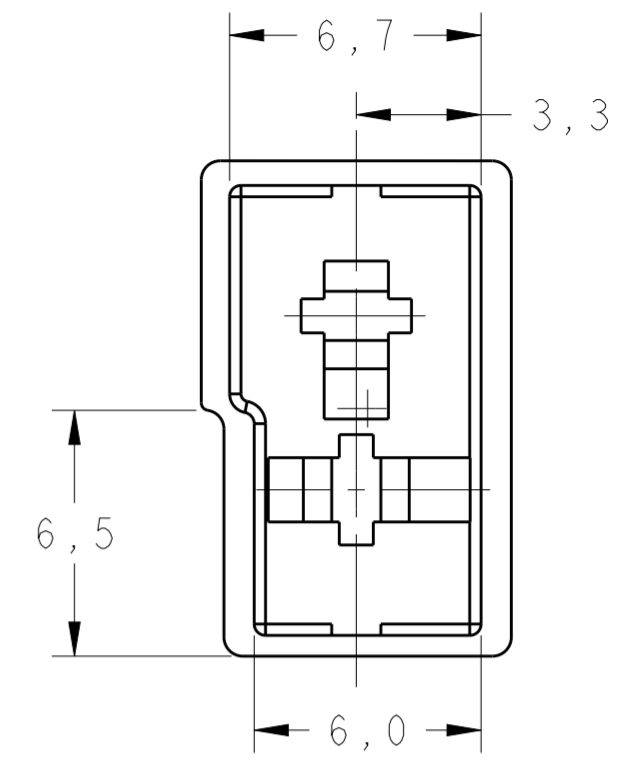
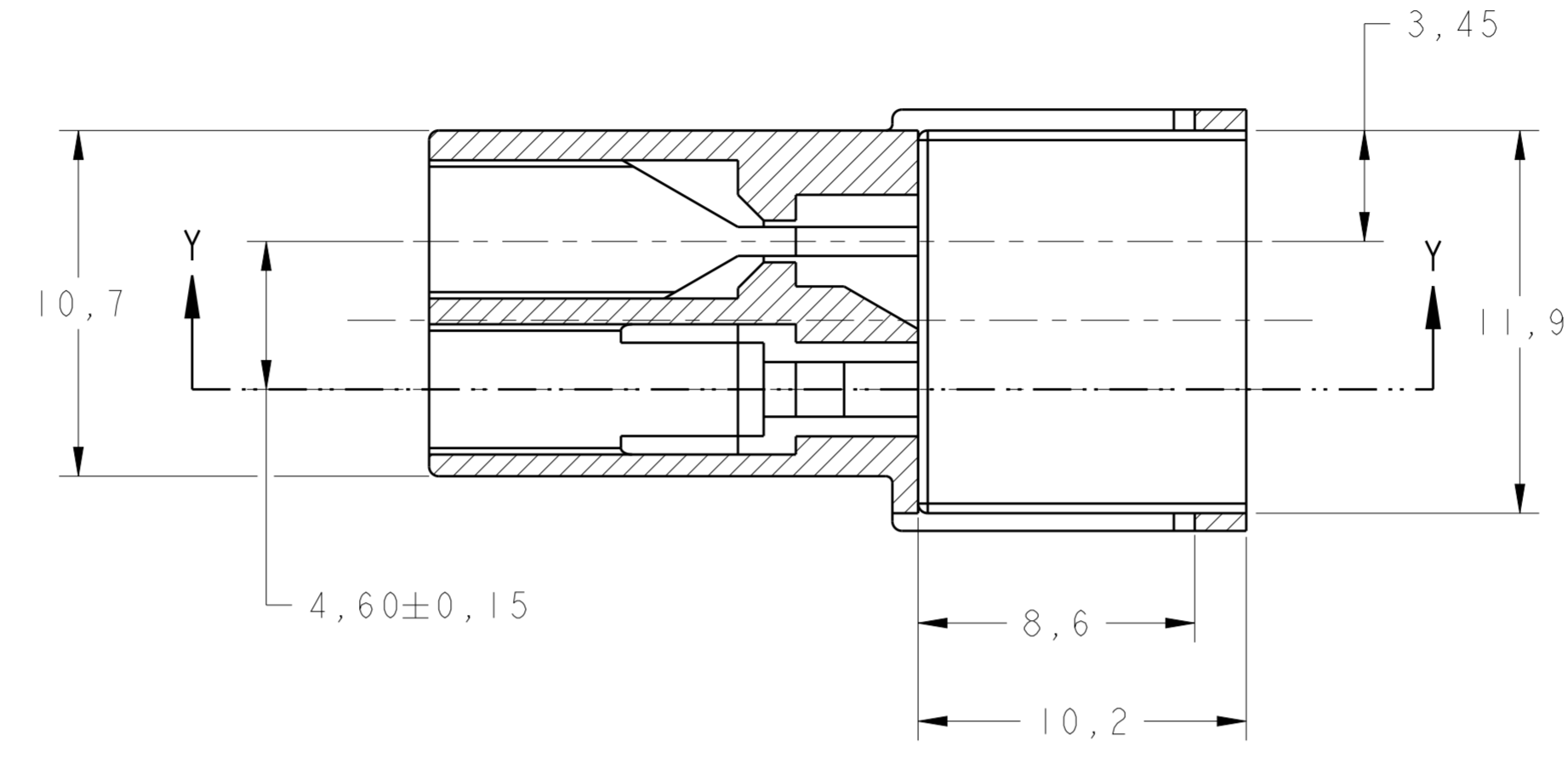
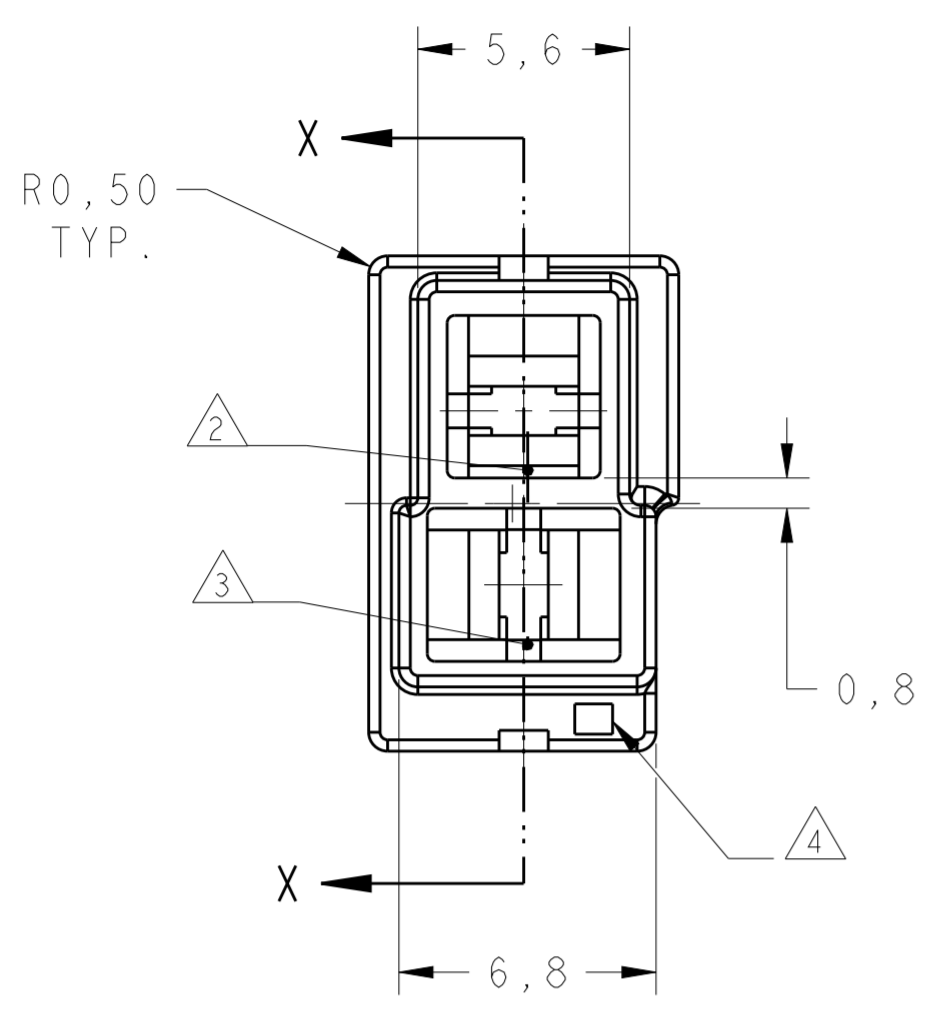


THIS DRAWING IS UNPUBLISHED. RELEASED FOR PUBLICATION 20  
 © COPYRIGHT 20 BY - ALL RIGHTS RESERVED.

**creo**  
 CreoParametri2.0  
**DO NOT REVERSE EXCEPT BY CAD**

REVISIONS					
P	LTR	DESCRIPTION	DATE	DWN	APVD
M		REVISED DESIGN ECO-14-005638	16APR2014	NCL	GOJ
M1		REVISED DRAWING ECO-14-012763	16OCT2014	NCL	DAO
M2		REV. BY ECO 14-019128	09JAN2015	HC	WLS



- ①- MATERIA PRIMA CONFORME ESPECIF. IEC 60335-1  
 GWT 750° C, SEM CHAMAS.  
 - RAW MATERIAL ACC. TO SPEC 60335-1  
 GWT 750° C, WITHOUT FRAME.
  - ②- CIRCUITO 1-SOMENTE PARA REFERENCIA.  
 - CIRCUIT 1- FOR REFERENCE ONLY.
  - ③- CIRCUITO 2- SOMENTE PARA REFERENCIA.  
 - CIRCUIT 2- FOR REFERENCE ONLY.
  - ④- NÚMERO DA CAVIDADE DO MOLDE.  
 - MOLD CAVITY NUMBER.
  - ⑤- OBSOLETE PARTS: OBSOLETE CIS STREAMLINING  
 PER D.RENAUD/D.SINISI
- 6-WORK BETTER WHEN USED WITH  
 TAB PN-881719 OR PN-880638.

FINISH	MATERIAL	PART NUMBER
NATURAL	PA6.6 V-0	① 1-626065 -2
NATURAL	PA6.6-ZYTEL 103 HSL	⑤ 1-626065 -1
NATURAL	PBT V-0	⑤ 1-626065 -0
ORANGE	POLIAMIDA 6.6	⑤ 626065 -9
VIOLET	POLIAMIDA 6.6	⑤ 626065 -8
GRAY	POLIAMIDA 6.6	⑤ 626065 -7
BROWN	POLIAMIDA 6.6	⑤ 626065 -6
BLACK	POLIAMIDA 6.6	626065 -5
YELLOW	POLIAMIDA 6.6	⑤ 626065 -4
BLUE	POLIAMIDA 6.6	⑤ 626065 -3
GREEN	POLIAMIDA 6.6	⑤ 626065 -2
RED	POLIAMIDA 6.6	⑤ 626065 -1
NATURAL	POLIAMIDA 6.6	626065 -0

SECTION Y-Y

PERSPECTIVE VIEW  
 SCALE 3:1

THIS DRAWING IS A CONTROLLED DOCUMENT.

DIMENSIONS: mm	TOLERANCES UNLESS OTHERWISE SPECIFIED: 0 PLC ±0,2 1 PLC ±0,3 2 PLC ± 3 PLC ± 4 PLC ± ANGLES ±30' FINISH	DWN NCLAPRESA 18FEB2011 CHK JRGOLDSCHIMDT 18FEB2011 APVD MBGODOY 18FEB2011	TE Connectivity	
MATERIAL SEE TABLE		PRODUCT SPEC APPLICATION SPEC WEIGHT	NAME - HOUSING 2 POSN., FASTIN-ON .110 TAB SIZE CAGE CODE DRAWING NO A200779 C-626065 RESTRICTED TO	
		Customer Drawing	SCALE 5:1	SHEET 1 OF 1 REV M2