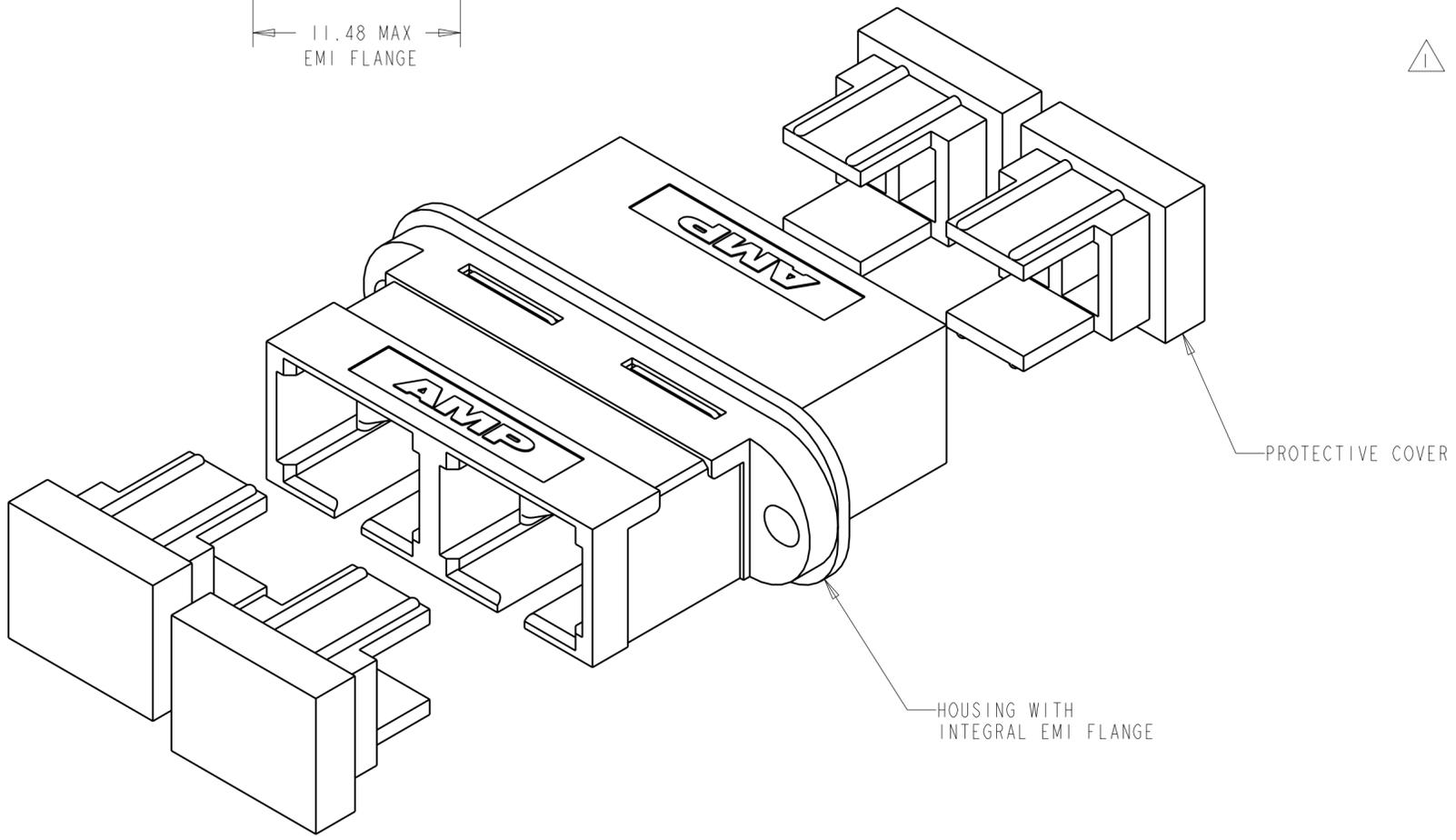
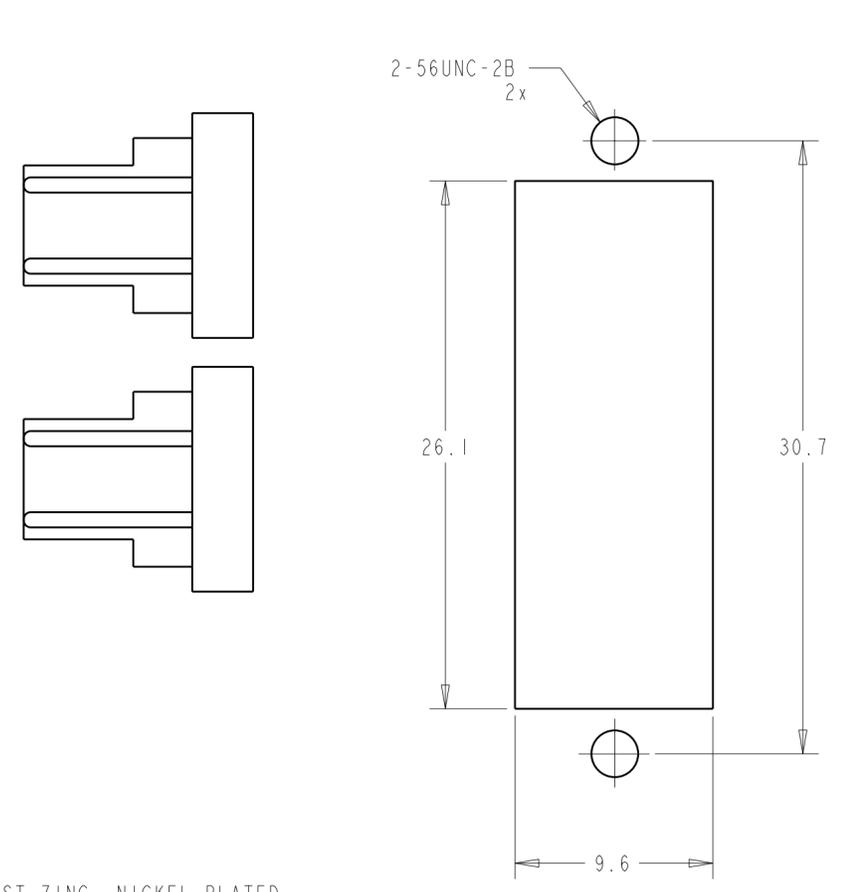
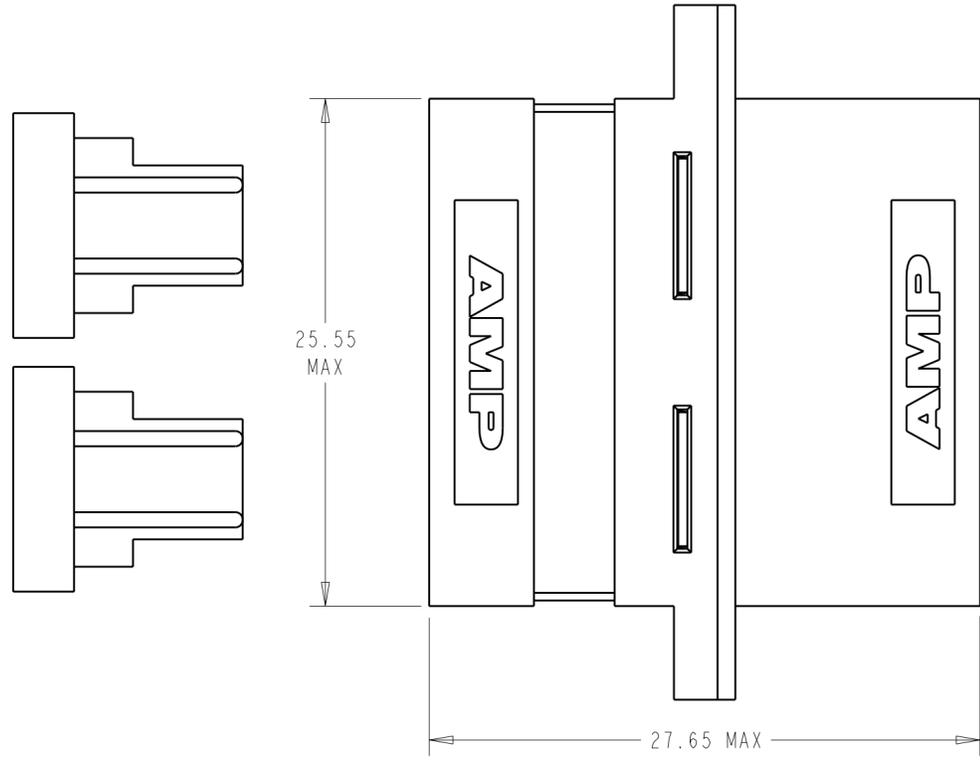
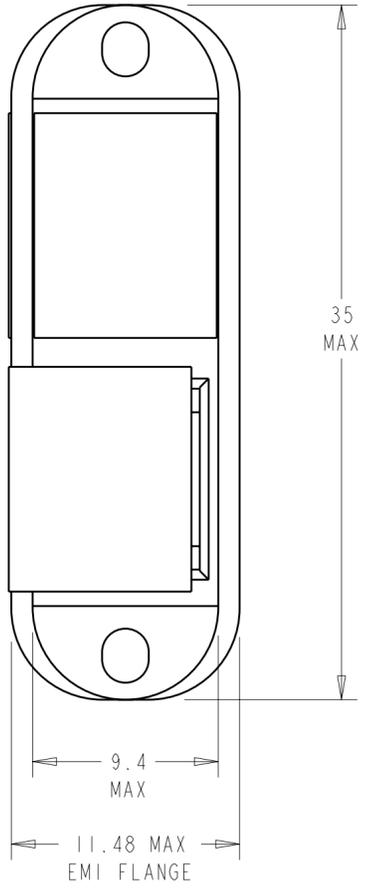


THIS DRAWING IS UNPUBLISHED. RELEASED FOR PUBLICATION .19
 © COPYRIGHT 19 BY AMP INCORPORATED. ALL RIGHTS RESERVED.

LOC	DIST	REVISIONS					
CE	00	F	LTR	DESCRIPTION	DATE	DWN	APVD
			A	RELEASE TO ACTIVE	07JUN2006	BB	SM



1 MATERIAL:
 HOUSING: DIECAST ZINC, NICKEL PLATED
 ALIGNMENT SLEEVE: SEE DASH NOS.
 PROTECTIVE COVER: TPE, COLOR: BLACK*
 RETAINER: PEI-GF30, COLOR: BLACK*
 *UL94 V-0 RATED AT QUALIFYING THICKNESS.

SUGGESTED PANEL CUTOUT
 MAXIMUM PANEL THICKNESS 1.7

DIMENSIONS: mm 	TOLERANCES UNLESS OTHERWISE SPECIFIED: 0 PLC ± 1 PLC ±0.1 2 PLC ±0.05 3 PLC ± 4 PLC ± ANGLES ± FINISH -	DWN B. BRIGGS 19MAY2005	AMP Incorporated Harrisburg, PA 17105-3608 AMP
		CHK S. MILLER 19MAY2005 APVD S. BUCHTER 19MAY2005	
MATERIAL 	DIMENSIONS: mm TOLERANCES UNLESS OTHERWISE SPECIFIED: 0 PLC ± 1 PLC ±0.1 2 PLC ±0.05 3 PLC ± 4 PLC ± ANGLES ± FINISH -	PRODUCT SPEC - APPLICATION SPEC - WEIGHT -	SIZE A2 CAGE CODE 00779 DRAWING NO 6374223 RESTRICTED TO -
		CUSTOMER DRAWING	SCALE 4:1 SHEET 1 OF 1 REV A

Mouser Electronics

Authorized Distributor

Click to View Pricing, Inventory, Delivery & Lifecycle Information:

[TE Connectivity:](#)

[6374223-1](#)