

THIS DRAWING IS UNPUBLISHED.

RELEASED FOR PUBLICATION

-. -. .

LOC

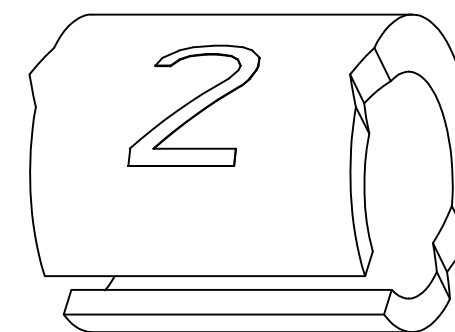
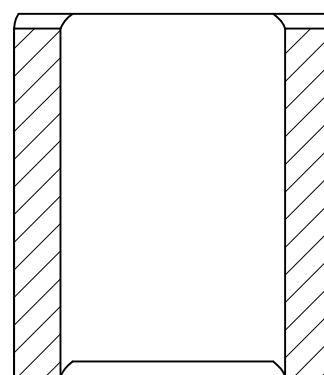
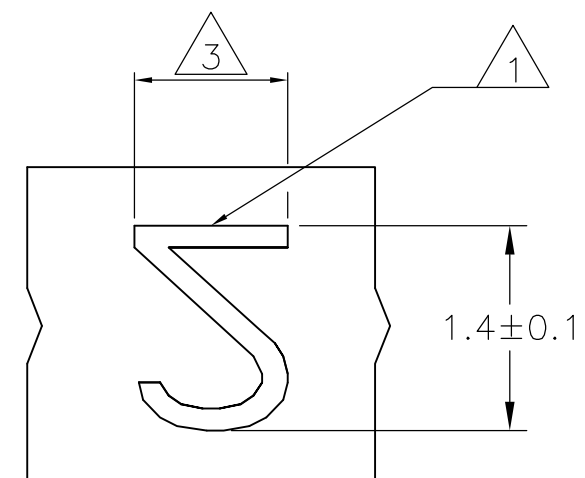
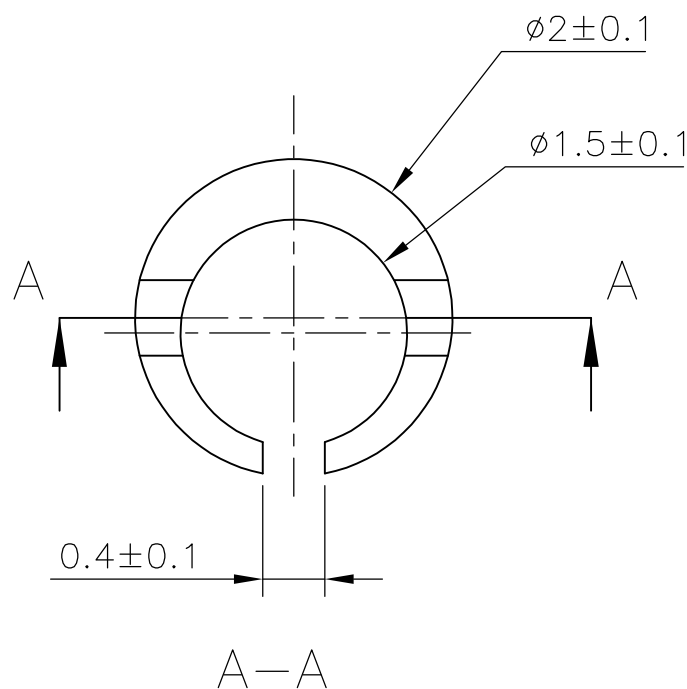
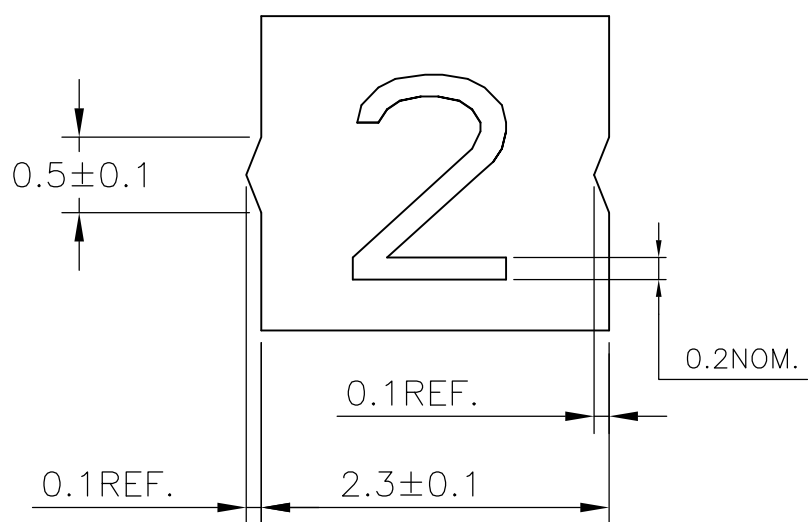
DIST

REVISIONS

© COPYRIGHT - By -

ALL RIGHTS RESERVED.

| P | LTR | DESCRIPTION | DATE      | DWN | APVD |
|---|-----|-------------|-----------|-----|------|
| 1 |     | NEW DRAWING | 25MAR2013 | KR  | KA   |



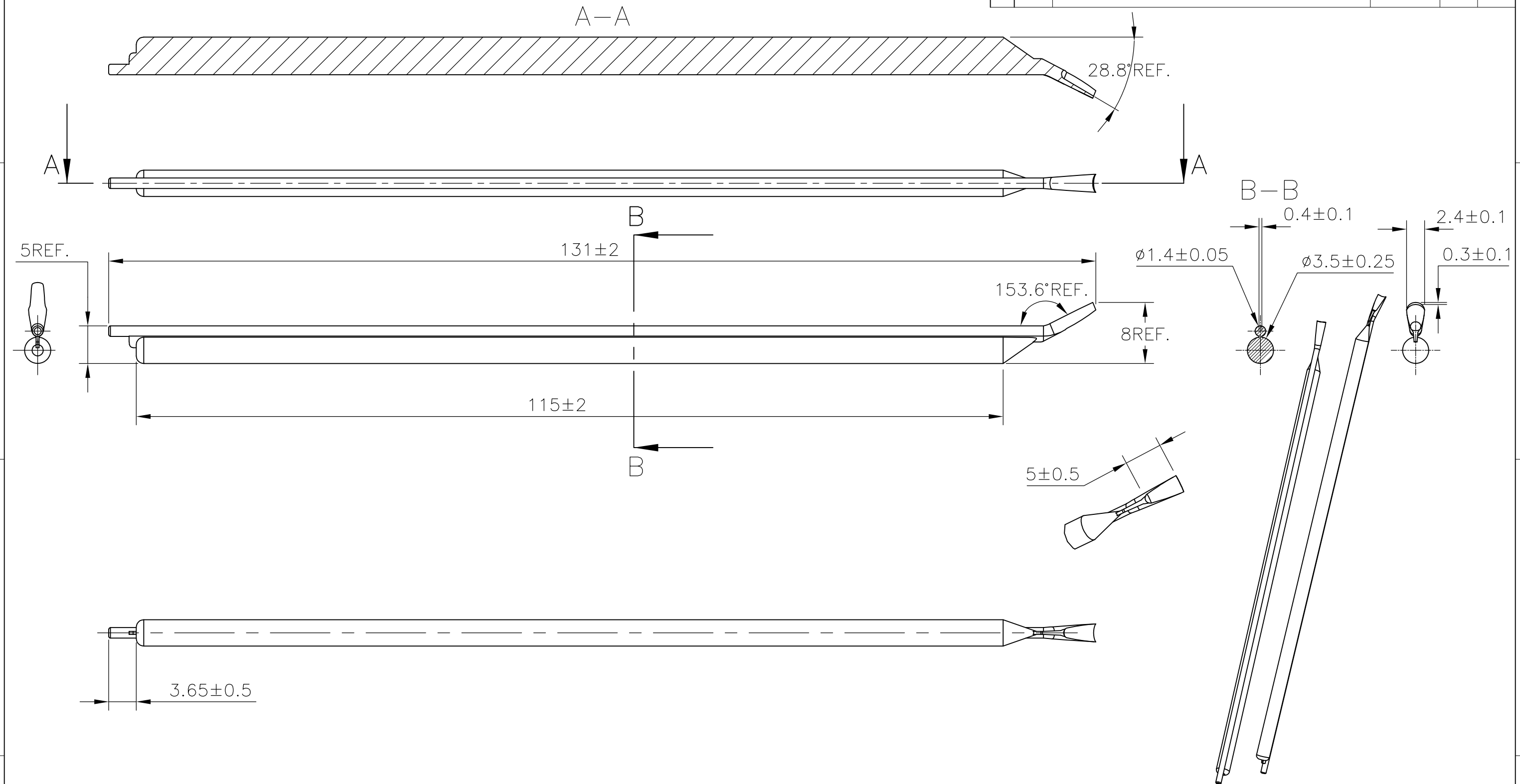
NOTES:


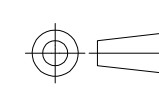
- 1 FOR PART NUMBERS SEE SHEET 3 OF 3.
- 2 MARK SHOULD BE CENTRALLY POSITIONED  $\pm 0.1$  mm
- 3 WIDTH OF MARK DEPENDS ON CHARACTER PRINTED

|  |  |  |  |   |  |
|--|--|--|--|---|--|
| THIS DRAWING IS A CONTROLLED DOCUMENT. |  | DWN 25MAR2013<br>RAGHAVENDRA K         |  | TE Connectivity                                   |  |
|  |  | CHK 25MAR2013<br>KEAN ALAN             |  |   |  |
| DIMENSIONS:<br>mm                      |  | TOLERANCES UNLESS OTHERWISE SPECIFIED: |  | NAME<br>SNAP-ON MARKER STB/STD 02 WITH APPLICATOR |  |
|  |  | 0 PLC $\pm -$                          |  | PRODUCT SPEC                                      |  |
|  |  | 1 PLC $\pm -$                          |  | APPLICATION SPEC                                  |  |
| MATERIAL                               |  | 2 PLC $\pm -$                          |  | SIZE  |  |
|  |  | 3 PLC $\pm -$                          |  | CAGE CODE   |  |
| FINISH                                 |  | 4 PLC $\pm -$                          |  | DRAWING NO  |  |
|  |  | ANGLES $\pm -$                         |  | RESTRICTED TO                                     |  |
| -                                      |  | -                                      |  | A3 00779 C-7-1768041-1                            |  |
|  |  | CUSTOMER DRAWING                       |  | SCALE NTS   |  |
|  |  |  |  | SHEET 1 OF 3                                      |  |
|  |  |  |  | REV 1   |  |

THIS DRAWING IS UNPUBLISHED. RELEASED FOR PUBLICATION  
 © COPYRIGHT - By - ALL RIGHTS RESERVED.

| LOC | DIST | REVISIONS   |      |     |      |
|-----|------|-------------|------|-----|------|
| P   | LTR  | DESCRIPTION | DATE | DWN | APVD |
| -   | -    | SEE SHEET 1 | -    | -   | -    |



|   |  |                                    |   |                    |                             |               |
|---|--|------------------------------------|---|--------------------|-----------------------------|---------------|
| THIS DRAWING IS A CONTROLLED DOCUMENT.  |  | DWN<br>RAGHAVENDRA K<br>25MAR2013  |  TE Connectivity |                    |                             |               |
| DIMENSIONS: mm<br>               |  | CHK<br>KEAN ALAN<br>25MAR2013      |   |                    |                             |               |
| TOLERANCES UNLESS OTHERWISE SPECIFIED:<br>0 PLC ± -<br>1 PLC ± -<br>2 PLC ± -<br>3 PLC ± -<br>4 PLC ± -<br>ANGLES ± - |  | APVD<br>MARIO APPELLO<br>25MAR2013 | NAME<br>SNAP-ON MARKER STB/STD 02 WITH APPLICATOR   |                    |                             |               |
| MATERIAL  |  | PRODUCT SPEC                       | -   |                    |                             |               |
| FINISH  |  | APPLICATION SPEC                   | -   |                    |                             |               |
| -   |  | WEIGHT                             | -   |                    |                             |               |
| -   |  | CUSTOMER DRAWING                   | SIZE<br>A3  | CAGE CODE<br>00779 | DRAWING NO<br>C-7-1768041-1 | RESTRICTED TO |
| -   |  | SCALE<br>NTS                       | SHEET<br>2 OF 3   |                    | REV<br>1                    | -             |

THIS DRAWING IS UNPUBLISHED.

RELEASED FOR PUBLICATION

-. - .

LOC

DIST

REVISIONS

© COPYRIGHT - By -

ALL RIGHTS RESERVED.

| P | LTR | DESCRIPTION | DATE | DWN | APVD |
|---|-----|-------------|------|-----|------|
| - | -   | SEE SHEET 1 | -    | -   | -    |

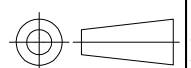
| DESCRIPTION   | PART NO.    |
|---------------|-------------|
| STB02-0-0     | 1-1768037-4 |
| STB02-1-1     | 1-1768037-7 |
| STB02-2-2     | 2-1768037-0 |
| STB02-3-3     | 2-1768037-3 |
| STB02-5-5     | 2-1768037-8 |
| STB02-6-6     | 3-1768037-1 |
| STB02-7-7     | 3-1768037-4 |
| STB02-8-8     | 3-1768037-7 |
| STB02-BLANK-0 | 4-1768037-0 |
| STB02-BLANK-1 | 4-1768037-1 |
| STB02-BLANK-2 | 4-1768037-2 |
| STB02-BLANK-3 | 4-1768037-3 |
| STB02-BLANK-5 | 4-1768037-4 |
| STB02-BLANK-6 | 4-1768037-5 |
| STB02-BLANK-7 | 4-1768037-6 |
| STD02W-0      | 103302-000  |
| STD02W-1      | 819694-000  |
| STD02W-2      | 341158-000  |
| STD02W-3      | 313440-000  |
| STD02W-4      | 028034-000  |
| STD02W-5      | 939726-000  |
| STD02W-6      | 996948-000  |
| STD02W-7      | 147282-000  |
| STD02W-8      | 318610-000  |
| STD02W-9      | 479820-000  |
| STD02W-A      | 487180-000  |
| STD02W-B      | 003324-000  |
| STD02W-BLANK  | 5-1768041-0 |
| STD02W-B-LC   | 5-1768041-1 |
| STD02W-C      | 055262-000  |
| STD02W-COLON  | 651674-000  |
| STD02W-D      | 488834-000  |

| DESCRIPTION  | PART NO.    |
|--------------|-------------|
| STD02W-D-LC  | 5-1768041-2 |
| STD02W-DOT   | 5-1768041-3 |
| STD02W-E     | 397338-000  |
| STD02W-EARTH | 5-1768041-4 |
| STD02W-F     | 961776-000  |
| STD02W-F-LC  | 5-1768041-6 |
| STD02W-G     | 145890-000  |
| STD02W-H     | 739622-000  |
| STD02W-I     | 340984-000  |
| STD02W-J     | 965732-000  |
| STD02W-K     | 167492-000  |
| STD02W-L     | 165426-000  |
| STD02W-M     | 701898-000  |
| STD02W-MINUS | 6-1768041-1 |
| STD02W-N     | 052350-000  |
| STD02W-N-LC  | 6-1768041-3 |
| STD02W-P     | 847560-000  |
| STD02W-PLUS  | 6-1768041-4 |
| STD02W-Q     | 153592-000  |
| STD02W-R     | 703268-000  |
| STD02W-S     | 108520-000  |
| STD02W-SLASH | 003880-000  |
| STD02W-T     | 424514-000  |
| STD02W-U     | 009222-000  |
| STD02W-V     | 421406-000  |
| STD02W-W     | 592248-000  |
| STD02W-X     | 141794-000  |
| STD02W-Y     | 273610-000  |
| STD02W-Z     | 471570-000  |
| STD02Y-0     | 6-1768041-6 |
| STD02Y-1     | 557314-000  |


| DESCRIPTION  | PART NO.    |
|--------------|-------------|
| STD02Y-2     | 983856-000  |
| STD02Y-3     | 709528-000  |
| STD02Y-4     | 365180-000  |
| STD02Y-5     | 996838-000  |
| STD02Y-6     | 859984-000  |
| STD02Y-7     | 972648-000  |
| STD02Y-8     | 379708-000  |
| STD02Y-9     | 005930-000  |
| STD02Y-A     | 6-1768041-7 |
| STD02Y-B     | 7-1768041-0 |
| STD02Y-BLANK | 7-1768041-1 |
| STD02Y-C     | 7-1768041-3 |
| STD02Y-COLON | 7-1768041-4 |
| STD02Y-D     | 7-1768041-5 |
| STD02Y-DOT   | 7-1768041-7 |
| STD02Y-E     | 7-1768041-8 |
| STD02Y-EARTH | 7-1768041-9 |
| STD02Y-F     | 8-1768041-1 |
| STD02Y-G     | 8-1768041-3 |
| STD02Y-H     | 8-1768041-5 |
| STD02Y-I     | 8-1768041-7 |
| STD02Y-J     | 8-1768041-8 |
| STD02Y-K     | 8-1768041-9 |
| STD02Y-L     | 9-1768041-1 |
| STD02Y-M     | 9-1768041-3 |
| STD02Y-MINUS | 9-1768041-4 |
| STD02Y-N     | 9-1768041-6 |
| STD02Y-P     | 9-1768041-8 |
| STD02Y-PLUS  | 9-1768041-9 |

| DESCRIPTION  | PART NO.    |
|--------------|-------------|
| STD02Y-Q     | 1768042-1   |
| STD02Y-R     | 1768042-2   |
| STD02Y-S     | 1768042-4   |
| STD02Y-SLASH | 1768042-5   |
| STD02Y-T     | 1768042-6   |
| STD02Y-U     | 1768042-7   |
| STD02Y-V     | 1768042-8   |
| STD02Y-W     | 1768042-9   |
| STD02Y-X     | 1-1768042-0 |
| STD02Y-Y     | 1-1768042-1 |
| STD02Y-Z     | 1-1768042-2 |

THIS DRAWING IS A CONTROLLED DOCUMENT.

|   |   |
|---|---|
| DIMENSIONS:<br>mm   | TOLERANCES UNLESS OTHERWISE SPECIFIED:                                      |
|  | 0 PLC ± -<br>1 PLC ± -<br>2 PLC ± -<br>3 PLC ± -<br>4 PLC ± -<br>ANGLES ± - |
| MATERIAL  | FINISH  |
| -   | -   |

|                  |           |
|------------------|-----------|
| DWN              | 25MAR2013 |
| RAGHAVENDRA K    |           |
| CHK              | 25MAR2013 |
| KEAN ALAN        |           |
| APVD             | 25MAR2013 |
| MARIO APPELLO    |           |
| PRODUCT SPEC     |           |
| APPLICATION SPEC |           |
| WEIGHT           | -         |
| CUSTOMER DRAWING |           |

|   |           |               |               |
|---|-----------|---------------|---------------|
|  TE Connectivity |           |               |               |
| NAME<br>SNAP-ON MARKER STB/STD 02 WITH APPLICATOR   |           |               |               |
| SIZE  | CAGE CODE | DRAWING NO    | RESTRICTED TO |
| A3  | 00779     | C-7-1768041-1 | -             |
| SCALE   |           | SHEET         | REV           |
| NTS   |           | 3 OF 3        | 1             |

# Mouser Electronics

Authorized Distributor

Click to View Pricing, Inventory, Delivery & Lifecycle Information:

[TE Connectivity:](#)

[STD02W-4](#)