

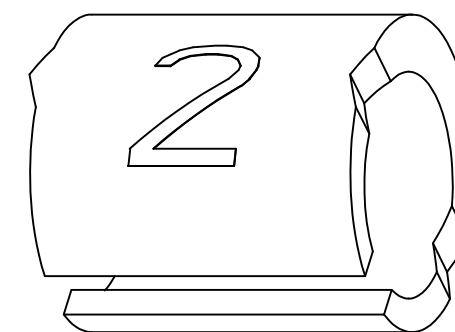
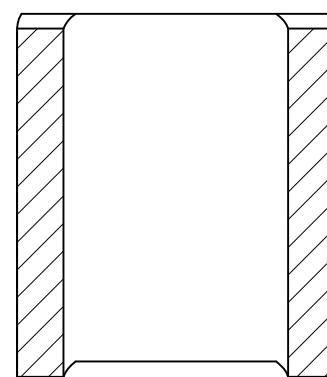
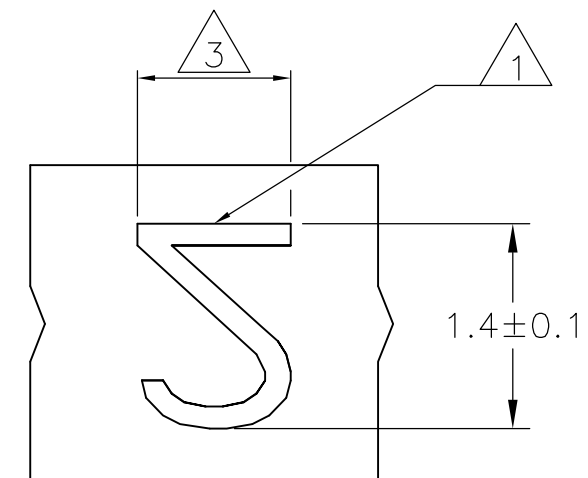
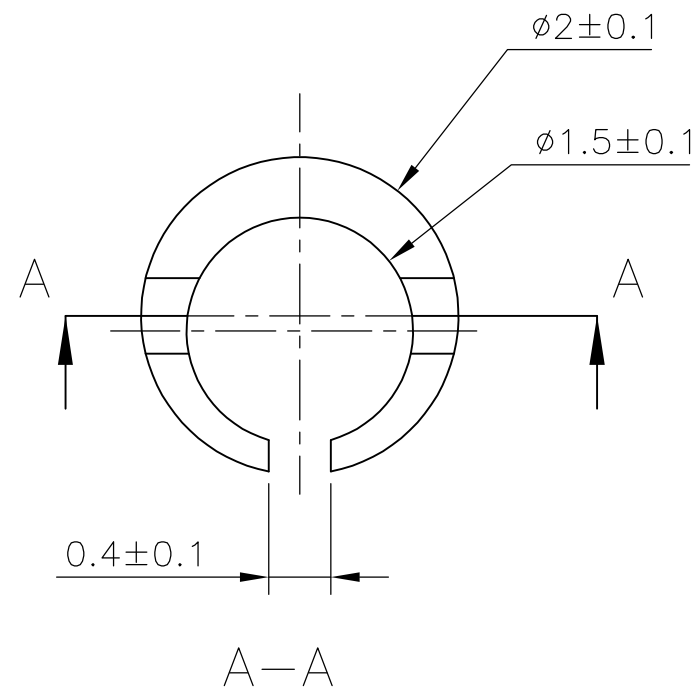
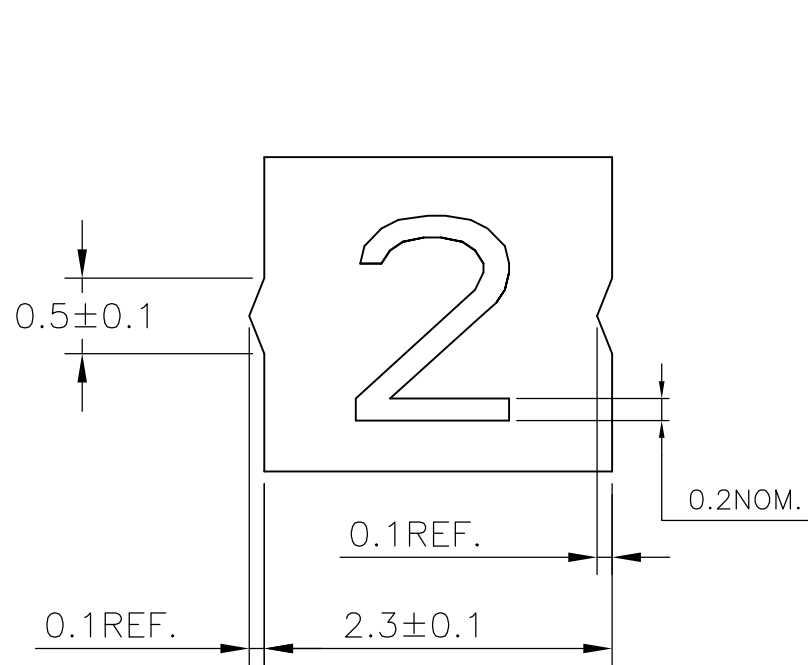
THIS DRAWING IS UNPUBLISHED.

RELEASED FOR PUBLICATION

ALL RIGHTS RESERVED.

© COPYRIGHT - By -

LOC	DIST	REVISIONS					
		P	LTR	DESCRIPTION	DATE	DWN	APVD
-	-		1	NEW DRAWING	25MAR2013	KR	KA



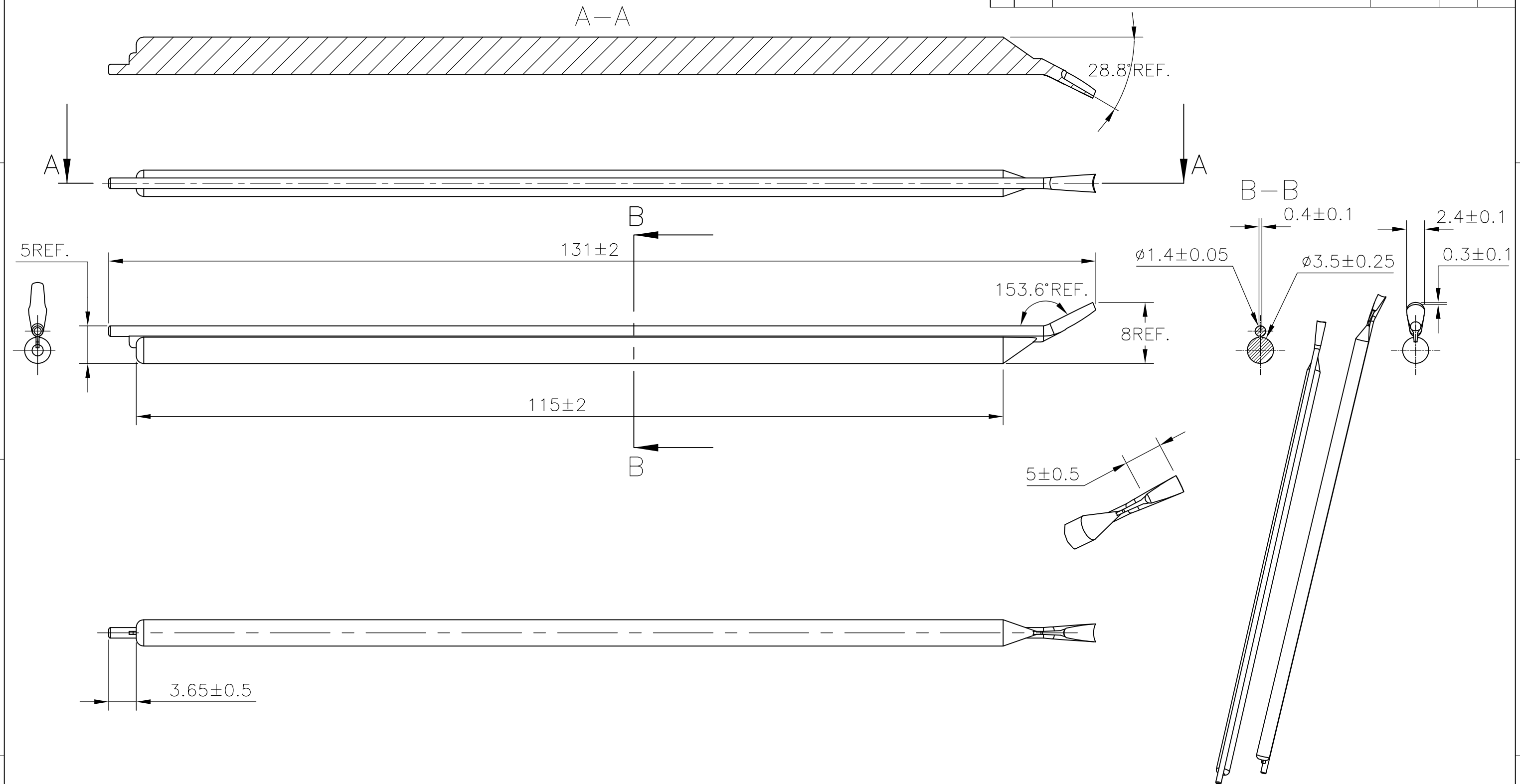
NOTES:


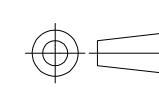
- 1 FOR PART NUMBERS SEE SHEET 3 OF 3.
- 2 MARK SHOULD BE CENTRALLY POSITIONED  $\pm 0.1$  mm
- 3 WIDTH OF MARK DEPENDS ON CHARACTER PRINTED

THIS DRAWING IS A CONTROLLED DOCUMENT.		DWN RAGHAVENDRA K 25MAR2013	<b>STE</b> TE Connectivity	
		CHK KEAN ALAN 25MAR2013		
DIMENSIONS: mm		APVD MARIO APPELLO 25MAR2013	NAME SNAP-ON MARKER STB/STD 02 WITH APPLICATOR	
TOLERANCES UNLESS OTHERWISE SPECIFIED:		PRODUCT SPEC	-	
0 PLC $\pm -$		APPLICATION SPEC	-	
1 PLC $\pm -$		WEIGHT	-	
2 PLC $\pm -$		CUSTOMER DRAWING	SIZE A3	CAGE CODE 00779
3 PLC $\pm -$			DRAWING NO C-7-1768041-1	RESTRICTED TO -
4 PLC $\pm -$			SCALE NTS	SHEET 1 OF 3
ANGLES $\pm -$			REV 1	
FINISH				
MATERIAL				

THIS DRAWING IS UNPUBLISHED. RELEASED FOR PUBLICATION  
 © COPYRIGHT - By - ALL RIGHTS RESERVED.

LOC	DIST	REVISIONS			
P	LTR	DESCRIPTION	DATE	DWN	APVD
-	-	SEE SHEET 1	-	-	-



THIS DRAWING IS A CONTROLLED DOCUMENT.		DWN RAGHAVENDRA K 25MAR2013	 TE Connectivity			
DIMENSIONS: mm 		CHK KEAN ALAN 25MAR2013				
TOLERANCES UNLESS OTHERWISE SPECIFIED: 0 PLC ± - 1 PLC ± - 2 PLC ± - 3 PLC ± - 4 PLC ± - ANGLES ± -		APVD MARIO APPELLO 25MAR2013	NAME SNAP-ON MARKER STB/STD 02 WITH APPLICATOR			
MATERIAL		PRODUCT SPEC	-			
FINISH		APPLICATION SPEC	-			
-		WEIGHT	-			
-		CUSTOMER DRAWING	SIZE A3	CAGE CODE 00779	DRAWING NO C-7-1768041-1	RESTRICTED TO
-		SCALE NTS	SHEET 2 OF 3	REV 1	-	

THIS DRAWING IS UNPUBLISHED. RELEASED FOR PUBLICATION  
 © COPYRIGHT - By - ALL RIGHTS RESERVED.

LOC	DIST	REVISIONS					
		P	LTR	DESCRIPTION	DATE	DWN	APVD
-	-	-	-	SEE SHEET 1	-	-	-

DESCRIPTION	PART NO.
STB02-0-0	1-1768037-4
STB02-1-1	1-1768037-7
STB02-2-2	2-1768037-0
STB02-3-3	2-1768037-3
STB02-5-5	2-1768037-8
STB02-6-6	3-1768037-1
STB02-7-7	3-1768037-4
STB02-8-8	3-1768037-7
STB02-BLANK-0	4-1768037-0
STB02-BLANK-1	4-1768037-1
STB02-BLANK-2	4-1768037-2
STB02-BLANK-3	4-1768037-3
STB02-BLANK-5	4-1768037-4
STB02-BLANK-6	4-1768037-5
STB02-BLANK-7	4-1768037-6
STD02W-0	103302-000
STD02W-1	819694-000
STD02W-2	341158-000
STD02W-3	313440-000
STD02W-4	028034-000
STD02W-5	939726-000
STD02W-6	996948-000
STD02W-7	147282-000
STD02W-8	318610-000
STD02W-9	479820-000
STD02W-A	487180-000
STD02W-B	003324-000
STD02W-BLANK	5-1768041-0
STD02W-B-LC	5-1768041-1
STD02W-C	055262-000
STD02W-COLON	651674-000
STD02W-D	488834-000


DESCRIPTION	PART NO.
STD02W-D-LC	5-1768041-2
STD02W-DOT	5-1768041-3
STD02W-E	397338-000
STD02W-EARTH	5-1768041-4
STD02W-F	961776-000
STD02W-F-LC	5-1768041-6
STD02W-G	145890-000
STD02W-H	739622-000
STD02W-I	340984-000
STD02W-J	965732-000
STD02W-K	167492-000
STD02W-L	165426-000
STD02W-M	701898-000
STD02W-MINUS	6-1768041-1
STD02W-N	052350-000
STD02W-N-LC	6-1768041-3
STD02W-P	847560-000
STD02W-PLUS	6-1768041-4
STD02W-Q	153592-000
STD02W-R	703268-000
STD02W-S	108520-000
STD02W-SLASH	003880-000
STD02W-T	424514-000
STD02W-U	009222-000
STD02W-V	421406-000
STD02W-W	592248-000
STD02W-X	141794-000
STD02W-Y	273610-000
STD02W-Z	471570-000
STD02Y-0	6-1768041-6
STD02Y-1	557314-000

DESCRIPTION	PART NO.
STD02Y-2	983856-000
STD02Y-3	709528-000
STD02Y-4	365180-000
STD02Y-5	996838-000
STD02Y-6	859984-000
STD02Y-7	972648-000
STD02Y-8	379708-000
STD02Y-9	005930-000
STD02Y-A	6-1768041-7
STD02Y-B	7-1768041-0
STD02Y-BLANK	7-1768041-1
STD02Y-C	7-1768041-3
STD02Y-COLON	7-1768041-4
STD02Y-D	7-1768041-5
STD02Y-DOT	7-1768041-7
STD02Y-E	7-1768041-8
STD02Y-EARTH	7-1768041-9
STD02Y-F	8-1768041-1
STD02Y-G	8-1768041-3
STD02Y-H	8-1768041-5
STD02Y-I	8-1768041-7
STD02Y-J	8-1768041-8
STD02Y-K	8-1768041-9
STD02Y-L	9-1768041-1
STD02Y-M	9-1768041-3
STD02Y-MINUS	9-1768041-4
STD02Y-N	9-1768041-6
STD02Y-P	9-1768041-8
STD02Y-PLUS	9-1768041-9

DESCRIPTION	PART NO.
STD02Y-Q	1768042-1
STD02Y-R	1768042-2
STD02Y-S	1768042-4
STD02Y-SLASH	1768042-5
STD02Y-T	1768042-6
STD02Y-U	1768042-7
STD02Y-V	1768042-8
STD02Y-W	1768042-9
STD02Y-X	1-1768042-0
STD02Y-Y	1-1768042-1
STD02Y-Z	1-1768042-2

THIS DRAWING IS A CONTROLLED DOCUMENT.

DIMENSIONS: mm	TOLERANCES UNLESS OTHERWISE SPECIFIED:
	0 PLC ± - 1 PLC ± - 2 PLC ± - 3 PLC ± - 4 PLC ± - ANGLES ± -
MATERIAL	FINISH
-	-

DWN RAGHAVENDRA K 25MAR2013	 TE Connectivity
CHK KEAN ALAN 25MAR2013	
APVD MARIO APPELLO 25MAR2013	
PRODUCT SPEC	
APPLICATION SPEC	NAME SNAP-ON MARKER STB/STD 02 WITH APPLICATOR
WEIGHT -	SIZE A3 CAGE CODE 00779 DRAWING NO C-7-1768041-1 RESTRICTED TO -
CUSTOMER DRAWING	SCALE NTS SHEET 3 OF 3 REV 1

# Mouser Electronics

Authorized Distributor

Click to View Pricing, Inventory, Delivery & Lifecycle Information:

[TE Connectivity:](#)

[STD02W-8](#)