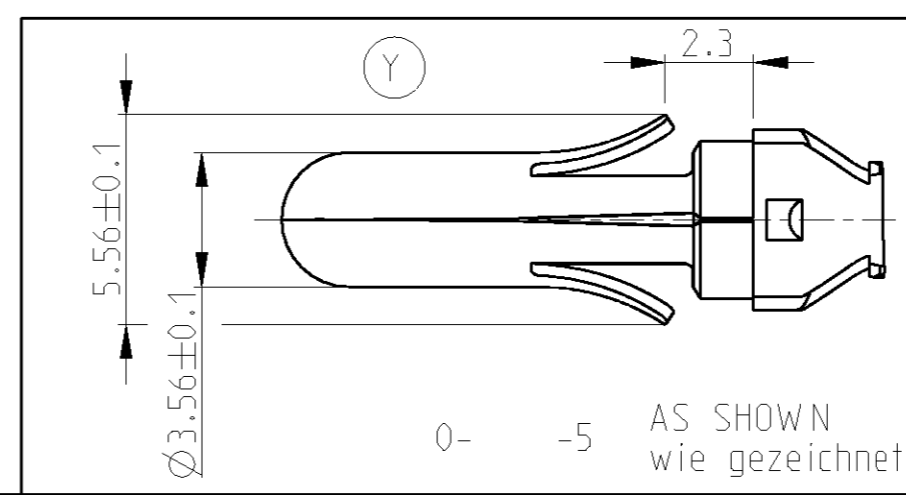
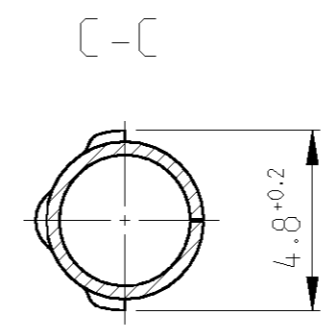
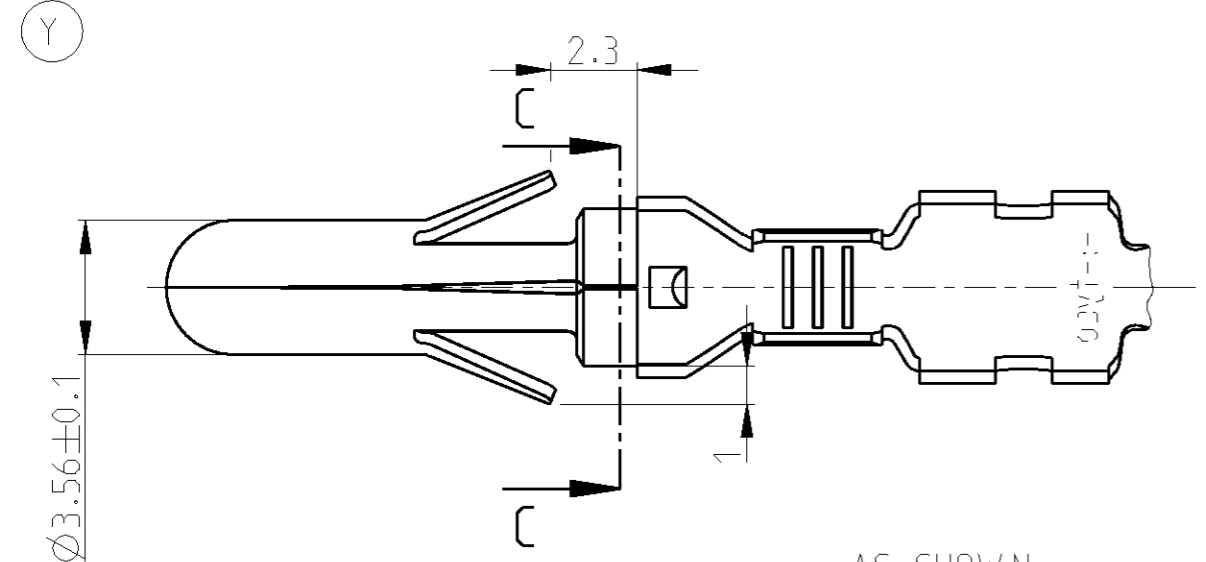
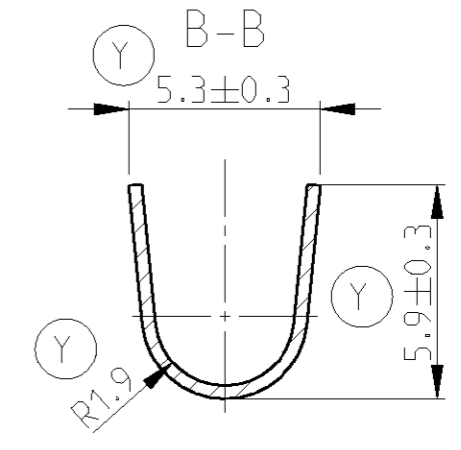
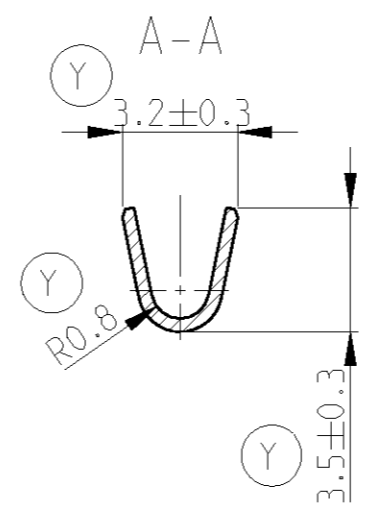
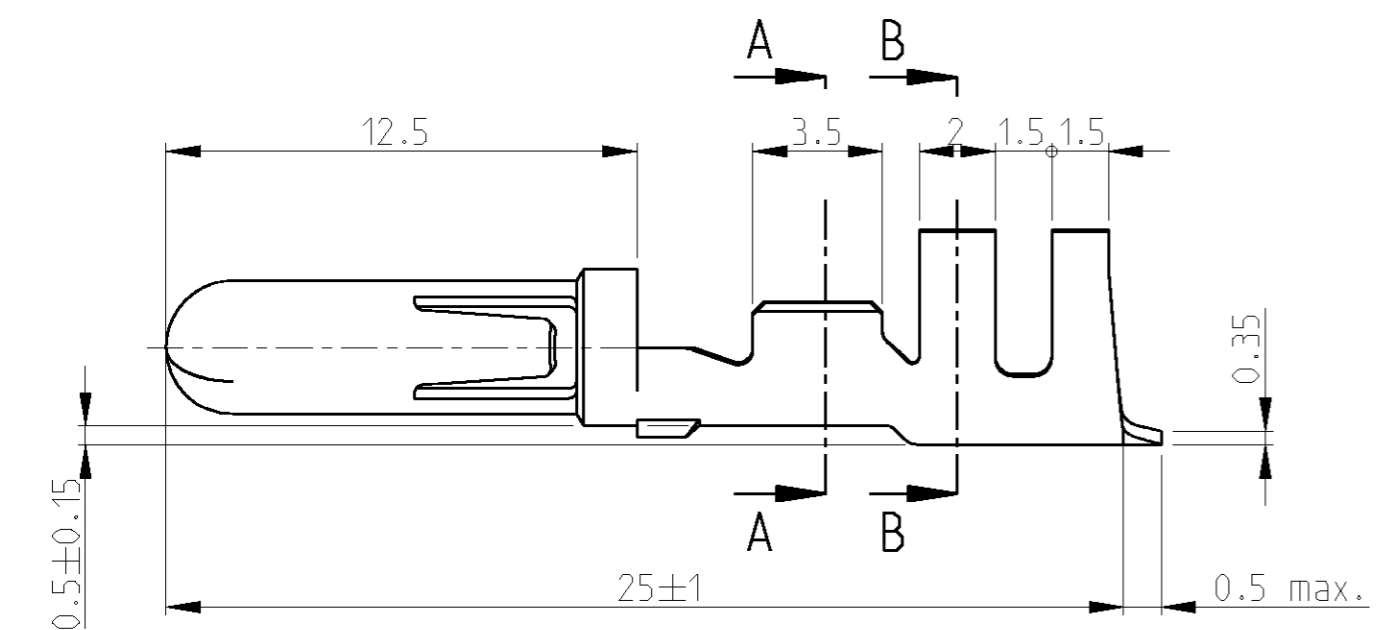


THIS DRAWING IS UNPUBLISHED. RELEASED FOR PUBLICATION
 © COPYRIGHT BY ALL RIGHTS RESERVED.

LOC	DIST	REVISIONS					
GT		P	LTR	DESCRIPTION	DATE	DWN	APVD
		Y2		REVISED PER ECO-11-005301	14APR11	RK	HMR



Angeschlagener Leiter: FLK-Leitung
 Leiter: F-Crimp
 Isolation: F-Crimp

Leitungsquerschnitt in mm²
 CROSS-SECTION IN mm²

	SINGLE CONNECTION Einzelanschlag	0.50	0.75	1.00	1.50	2.00	2.50	3.00	4.00	6.00
0.50	x	x	x	x	x					
0.75	x	x	x	x						
1.00	x	x	x	x						
1.50	x	x								
2.00										
2.50										
3.00										
4.00										
6.00										

0- -1,2,3,4,6,7 AS SHOWN wie gezeichnet
 Drahtgrößenbereich: 0.5-2.0 mm²

1 OBSOLETE PARTS: OBSOLETE CIS STREAMLINING PER D.RENAUD/D.SINISI

OBSOLETE	925660-7	925715-7	CuZn 30	blank
	925660-6	925715-6	CuSn 4	Gold üb. Ni.
	925660-5	925715-5	St4K50	vorverzinkt
	925660-4	925715-4	CuSn 4	blank
	925660-3	925715-3	CuSn 4	versilber
	925660-2	925715-2	CuSn 4	vorverzinkt
	925660-1	925715-1	CuZn 30	vorverzinkt
Bestell.-Nr. für Einzelausführung Crimp vorgeformt	BESTELL-NR.	WERSTOFF	OBERFLÄCHE	

DIMENSIONS:	TOLERANCES UNLESS OTHERWISE SPECIFIED:
mm	0 PLC ±0.2
	1 PLC ±0.2
	2 PLC ±0.2
	3 PLC ±
	4 PLC ±
	ANGLES ±°
MATERIAL	FINISH
SEE TABLE	SEE TABLE

DWN	J.SKODA	22JUL2005
CHK	R.VLCEK	19AUG2005
APVD	M.BIFLCHER	26AUG2005
PRODUCT SPEC	108-1032	
APPLICATION SPEC	114-1007	
WEIGHT	-	

STE TE Connectivity

NAME: Ø 3.5 PIN, Ø 3.5 Stift

SIZE	CAGE CODE	DRAWING NO	RESTRICTED TO
A3	00779	925715	-

CUSTOMER DRAWING / KUNDENZEICHNUNG SCALE 5:1 SHEET 1 OF 1 REV Y2

Mouser Electronics

Authorized Distributor

Click to View Pricing, Inventory, Delivery & Lifecycle Information:

[TE Connectivity:](#)

[925715-2](#)