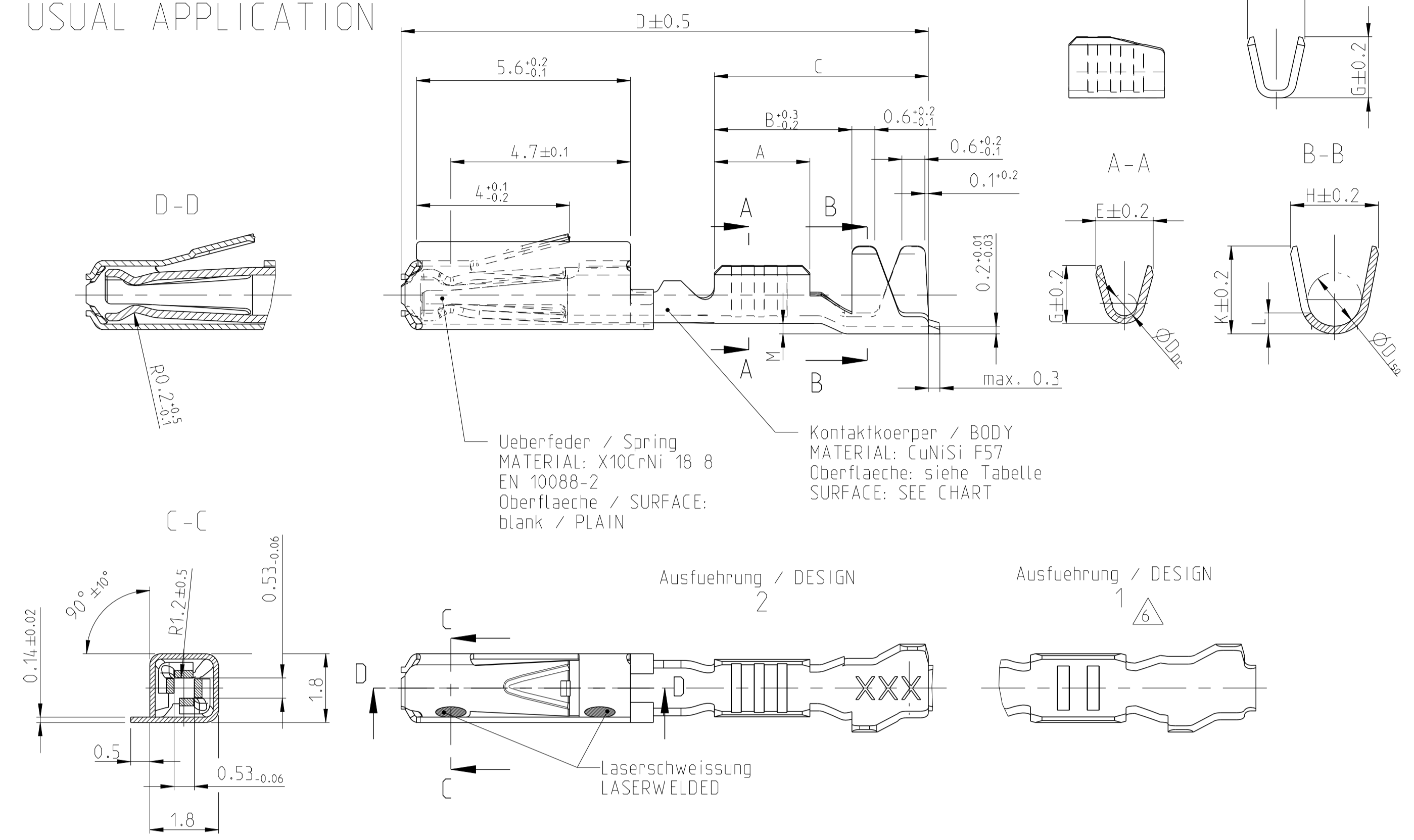
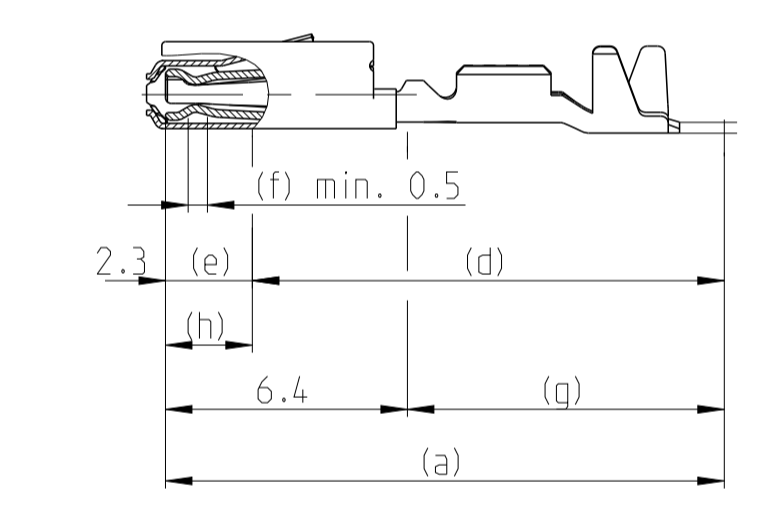


Normale Anwendung  
 USUAL APPLICATION



Oberflaeche / FINISH



Sn: verzinnete Ausfuehrung  
 TINNED  
 (a) Kontaktkoerper: 0.8 - 2 µm Sn  
 BODY: 0.8 - 2 µm Sn

Ag: versilbert  
 SILVER  
 (e) min. 0.3 µm Ag  
 (f) min. 2.8 µm Ag INSIDE  
 min. 2.8 µm Ag innen  
 (g) min. 0.2 µm Sn

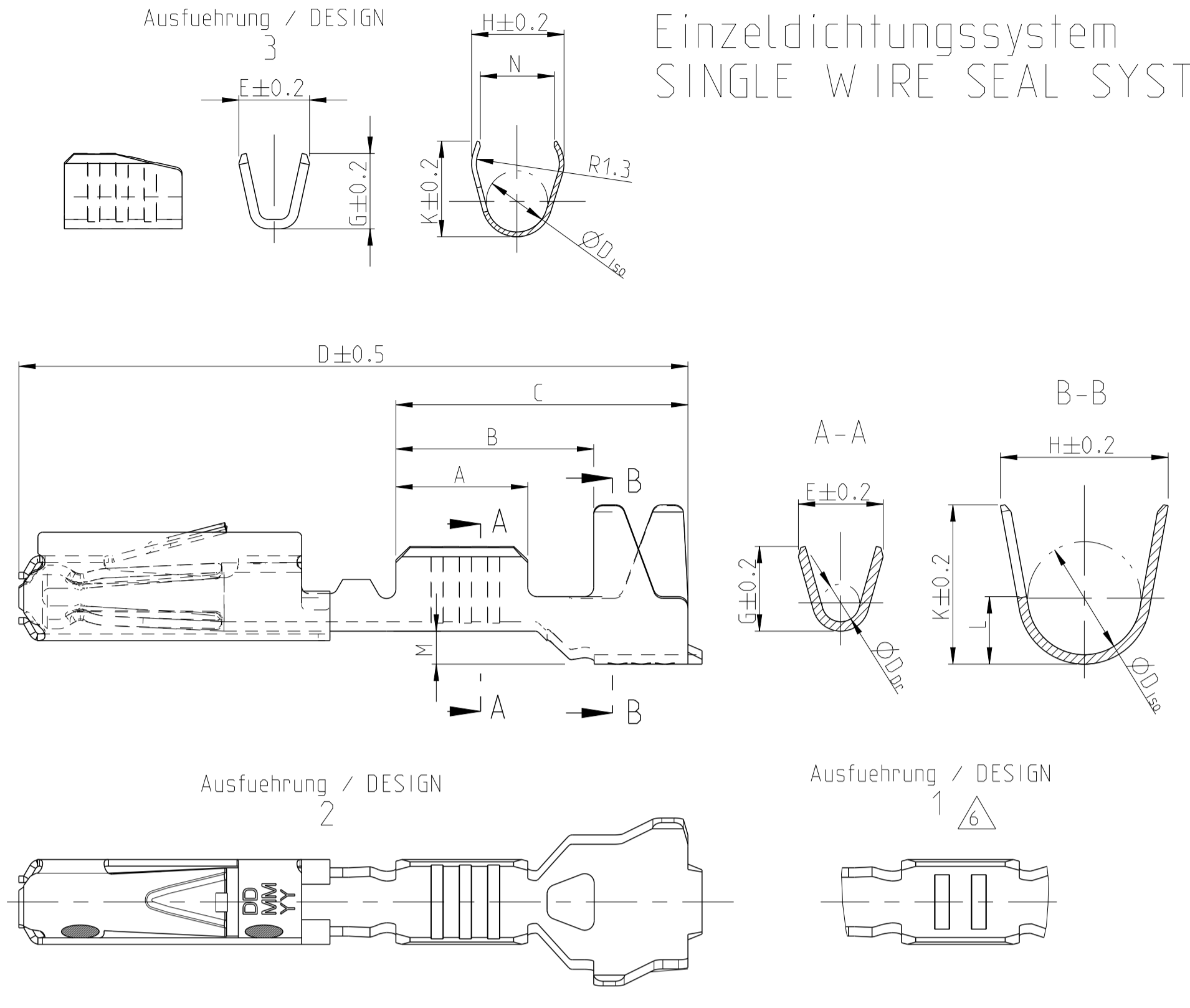
Au (galvanisch): galvanisch vergoldet  
 GOLD-ELECTROPLATED  
 (d) 0.05-1 µm Ni, beidseitig  
 0.05-1 µm Ni, ON BOTH SIDES  
 (e) 1-3 µm Ni, beidseitig  
 1-3 µm Ni, ON BOTH SIDES  
 (f) min. 1.8 µm Au ueber (e), innen  
 MIN. 1.8 µm Au OVER (e), INSIDE  
 (g) min. 0.2 µm Sn ueber (d), beidseitig  
 MIN. 0.2 µm Sn OVER (d), ON BOTH SIDES  
 (h) Au galvanisch austaufend  
 Au OVERPLATING

Part No.	Material	Version	Wire Size Range	Surface	Length	Wire Crimp	Insulation	Weight	Notes
6-965906-5	E	1-965906-5	D	Au+Gel	A = 2.8 B = 4.2 C = 6.2 D = 14.3 M = 0.7	F = 2 G = 2.1 D <sub>Dr</sub> = 1	H = 3.5 K = 3.4 L = 1.5 D <sub>ISO</sub> = 2.4	0.13	0.75, 1.4-1.9, 967067-1 (gruen GREEN), 963142-1 (schwarz BLACK)
5-965906-6	D	965906-6	C	Ag	A = 2.5 B = 3.9 C = 5.9 D = 14 M = 0.7	F = 1.8 G = 1.8 D <sub>Dr</sub> = 0.8	H = 3.5 K = 3.4 L = 1.5 D <sub>ISO</sub> = 2.4	0.13	0.35, 0.9-1.4, 967067-2 (gelb YELLOW), 963142-2 (grau GREY)
5-962885-5	K	962885-5	J	Au	A = 2.5 B = 4.3 C = 6.2 D = 13.7 M = 0.6	F = 1.5 G = 1.4	H = 4 K = 4.1 L = 3.1 D <sub>ISO</sub> = 2.6	0.1	0.13, 0.17, 0.85-1.25, 967067-2 (gelb YELLOW), 963142-2 (grau GREY)
6-963715-5	K	1-963715-5	J	Au+Gel	A = 2.8 B = 3.8 C = 5.6 D = 13.7 M = 0.2	F = 2.1 G = 2.1 D <sub>Dr</sub> = 1	H = 2.7 K = 2.9 L = 0.7 D <sub>ISO</sub> = 1.6	0.11	0.50-0.75, 967056-1 (blau / BLUE), 963142-1 (schwarz BLACK)
5-963715-6	J	963715-6	H	Ag	A = 2.5 B = 3.6 C = 5.6 D = 13.7 M = 0.2	F = 1.8 G = 1.8 D <sub>Dr</sub> = 0.8	H = 2.3 K = 2.3 L = 0.6 D <sub>ISO</sub> = 1.4	0.11	0.25-0.35, 967056-1 (blau / BLUE), 963142-2 (grau GREY)
5-928999-5	T	1-928999-5	S	Au+Gel	A = 2.5 B = 3.7 C = 5.4 D = 13.7 M = 0	F = 1.5 G = 1.4	H = 2 K = 1.9 D <sub>ISO</sub> = 1.1	0.1	0.13 / 0.17, 967056-1 (blau / BLUE), 963142-2 (grau GREY)
5-928999-6	S	928999-6	R	Ag	A = 2.5 B = 3.7 C = 5.4 D = 13.7 M = 0	F = 1.5 G = 1.5 D <sub>Dr</sub> = 0.65	H = 2 K = 2 D <sub>ISO</sub> = 1.1	0.1	0.08-0.22, 967056-1 (blau / BLUE), 963142-2 (grau GREY)

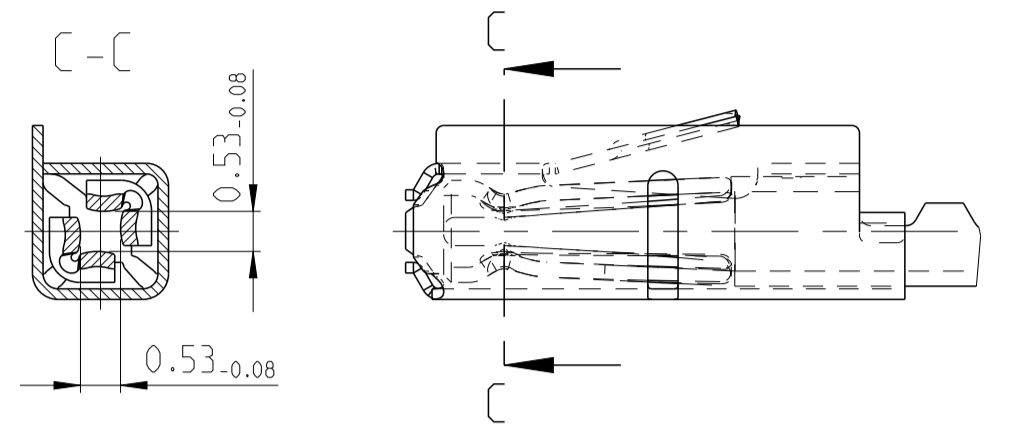
Bestell-Nr. Ausfuehrung ORDER NO. DESIGN	Bestell-Nr. Ausfuehrung ORDER NO. DESIGN	Rev	Bestell-Nr. Ausfuehrung ORDER NO. DESIGN	Rev	VERSION	DGB Wire Size Range mm <sup>2</sup>	Oberflaeche SURFACE	Laenge LENGTH mm	Drahtcrimp WIRE CRIMP mm	Iso-crimp INSU-CRIMP mm	Gewicht WEIGHT g	Verarbeitung Spez. APPLICATION SPEC.	DGB Wire Size Range mm <sup>2</sup>	Isolations INSULATION DIA. mm	fuer Kammer Ø3.45 FOR CAVITY DIA. 3.45 mm	Blindstopfen RUBBER PLUG	fuer Kammer Ø4 FOR CAVITY DIA. 4 mm	Blindstopfen RUBBER PLUG
2	3		1		normale Anwendung USUAL APPLICATION													

zugehoerige Einzeldichtung / SUITABLE SINGLE WIRE SEAL

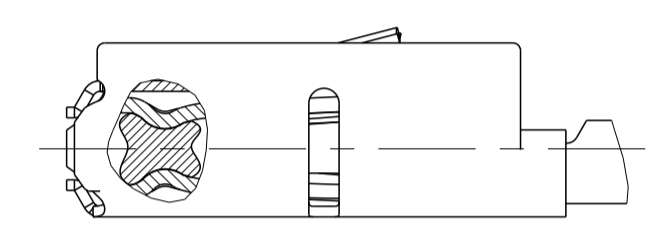
Einzeldichtungssystem  
 SINGLE WIRE SEAL SYSTEM



vergoldete Ausfuehrung  
 GOLD VERSION

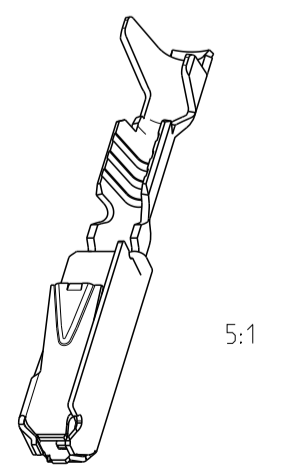
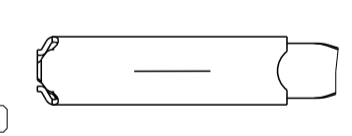


GEL VERSION



Bemerkungen

- Datumscode (woche/Jahr z.B. KW 38/Jahr2009) und TE-Revision (z.B. Rev.A) DATE CODE (WEEK/YEAR E.G. WEEK NUMBER 38/YEAR2009) AND TE REVISION (E.G. REV. A)
- Passend zu Stiftkontakt siehe Zeichnung 929453 SUITABLE FOR PIN CONTACT SEE DRAWING 929453
- Einzelheiten der Ausfuehrung bleiben dem Hersteller ueberlassen DETAILS OF DESIGN ARE LEFT TO MANUFACTURER
- Nur fuer FLR-Leitung nach DIN 72551 Teil 6 FOR FLR-CONDUCTOR ACCORDING TO DIN 72551-6 ONLY
- Fuer Ag Varianten sind keine Laboruntersuchungen verfuegbar deshalb sind diese PN 's nicht in der Produktspez. aufgefuehrt. FOR Ag VARIANTS TESTS ARE NOT AVAILABLE. Ag PN'S ARE NOT IN PRODUCTSPEC.
- nicht fuer Neuanwendung NOT FOR NEW APPLICATION
- zugestaerkte Leitung nach LV 112-4 REINFORCED WIRE ACCORDING LV 112-4
- Bei doppelt fallenden Werkzeugen wird die erste Ueberfeder mit einer Kennzeichnung "-" versehen WITH DOUBLE OUT DIES THE FIRST SPRING WILL BE PROVIDED WITH AN INDICATION "-"



THIS DRAWING IS A CONTROLLED DOCUMENT.		OWN: S.Garcia 05JAN1999	TE Connectivity	
DIMENSIONS: mm		CHK: R.Jetter 05JAN1999	NAME: MQS	
TOLERANCES UNLESS OTHERWISE SPECIFIED: ±0.2		APP: M.Bleicher 13AUG2003	PRODUCT SPEC: 108-18030	
MATERIAL: -		FINISH: -	APPLICATION SPEC: 114-18021 / 114-18025	
Customer Drawing		SCALE: 10:1	SHEET: 1 OF 1	REV: C15

# Mouser Electronics

Authorized Distributor

Click to View Pricing, Inventory, Delivery & Lifecycle Information:

[TE Connectivity:](#)

[965906-1](#)