

4

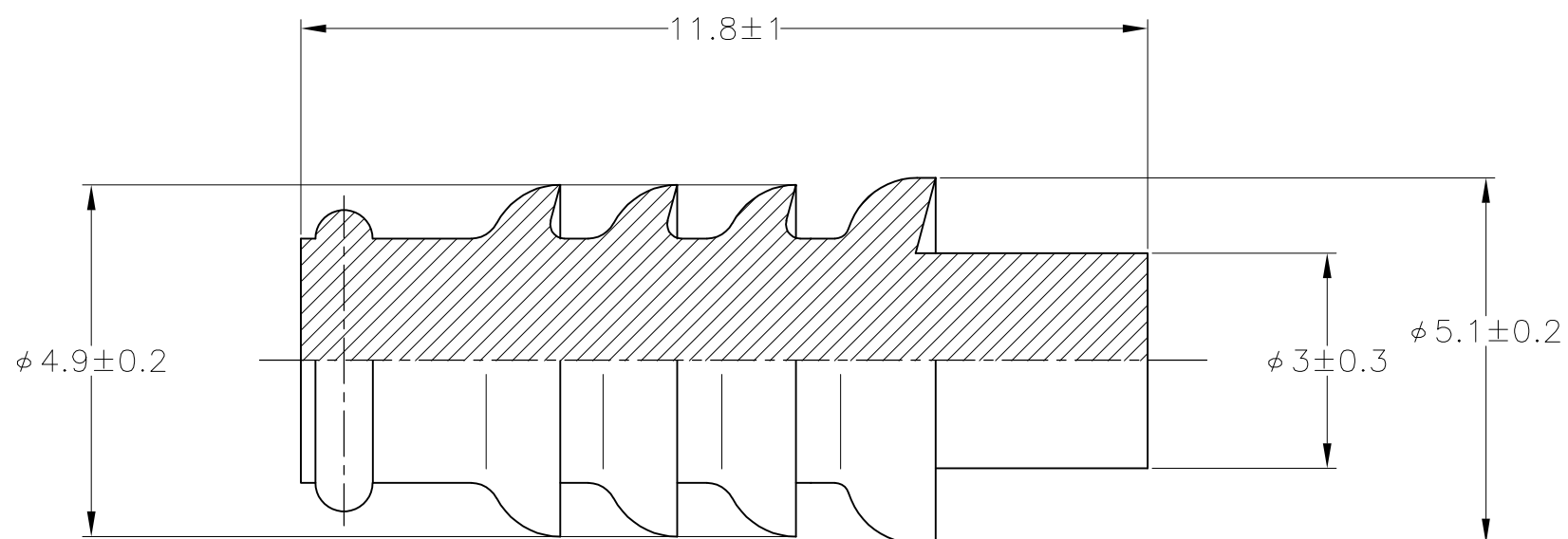
3

2


1

THIS DRAWING IS UNPUBLISHED. RELEASED FOR PUBLICATION
 © COPYRIGHT - By - ALL RIGHTS RESERVED.

LOC	DIST	REVISIONS 変更					
		P	LTR	DESCRIPTION	DATE	DWN	APVD
J	-		B2	REVISED PER ECO-11-005140	28MAR11	RK	HMR



SEE DRAWING 172748-4	172748-4
SEE DRAWING 172748-3	172748-3
GRAY	172748-2
BLACK	172748-1
COLOR	PART NUMBER

THIS DRAWING IS A CONTROLLED DOCUMENT.		DWN T.SHINOHARA 11MAY06	 TE Connectivity		
DIMENSIONS: 单位: 耗 mm		CHK K.BETSUI 11MAY06			
TOLERANCES UNLESS OTHERWISE SPECIFIED: 一般公差		APVD K.BETSUI 11MAY06	NAME 名称 070 CAVITY PLUG		
0 PLC ± - 1 PLC ± - 2 PLC ± - 3 PLC ± - 4 PLC ± - ANGLES ± -		PRODUCT SPEC 製品規格 -	DRAWING NO 番号 A3 00779 C-172748		
MATERIAL 材料 NBR		FINISH 仕上 -	APPLICATION SPEC 取付適用規格 -	SIZE	RESTRICTED TO
		WEIGHT -	CAGE CODE	SCALE 尺度 10:1	SHEET 1 OF 1
		CUSTOMER DRAWING	DRAWING NO 番号	REV B2	