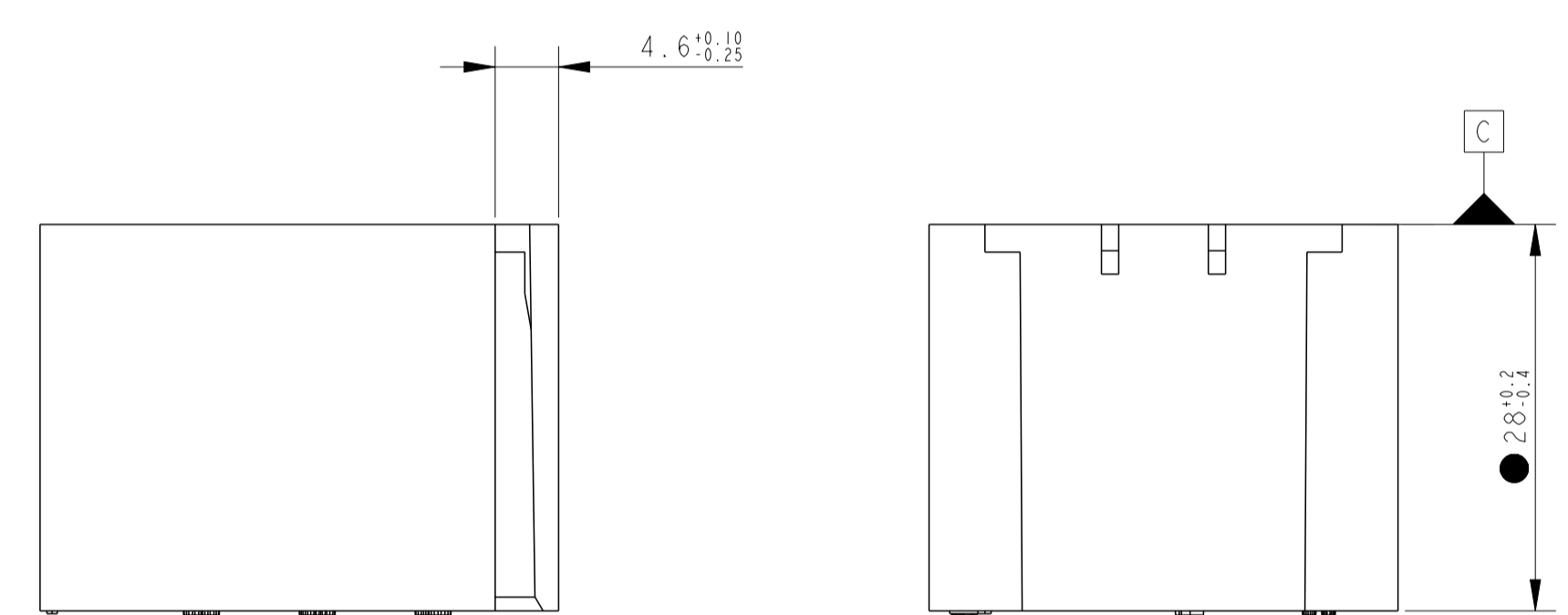
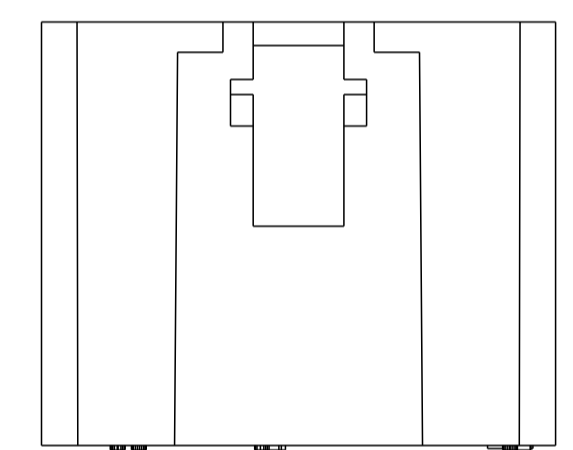
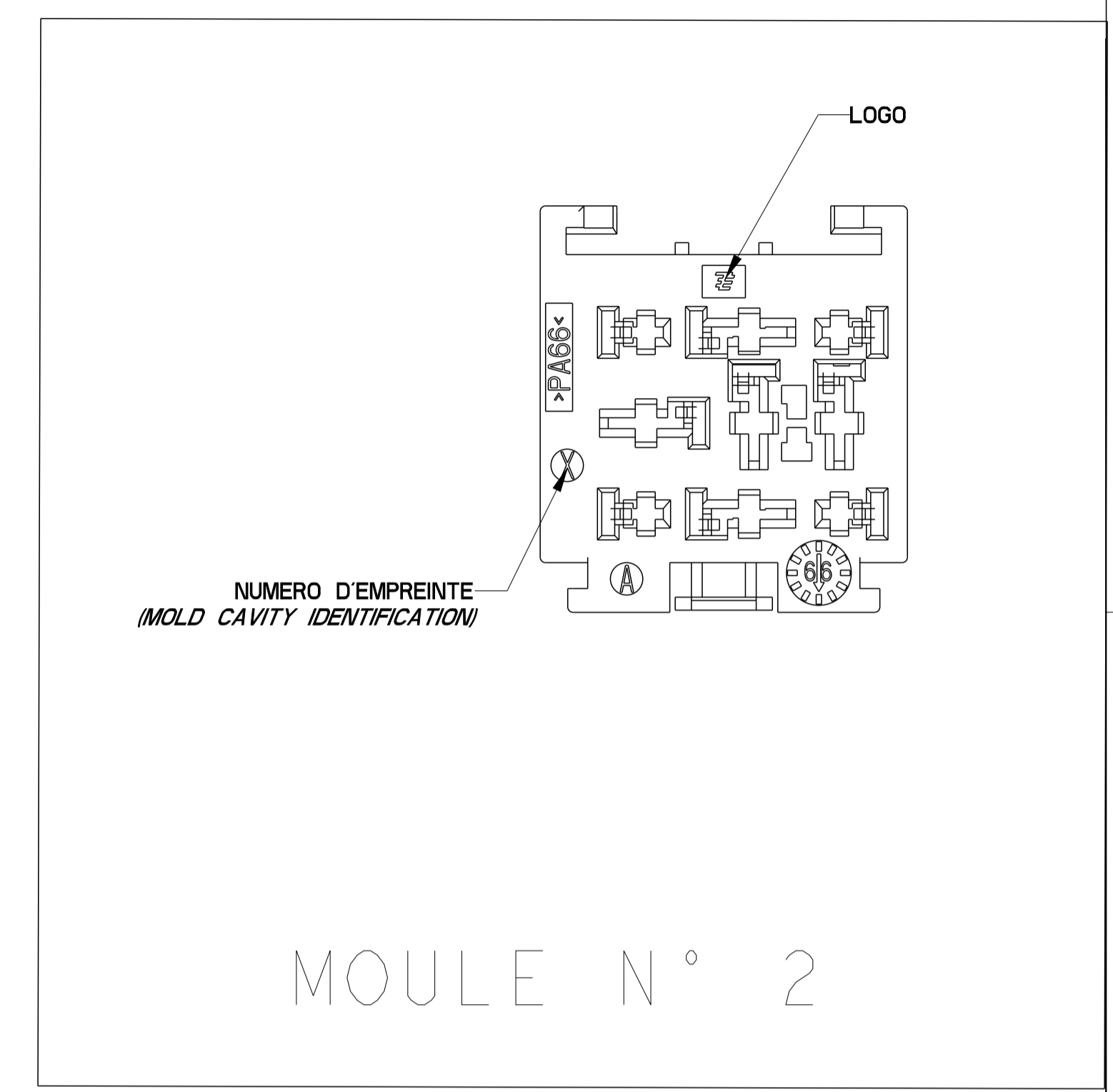
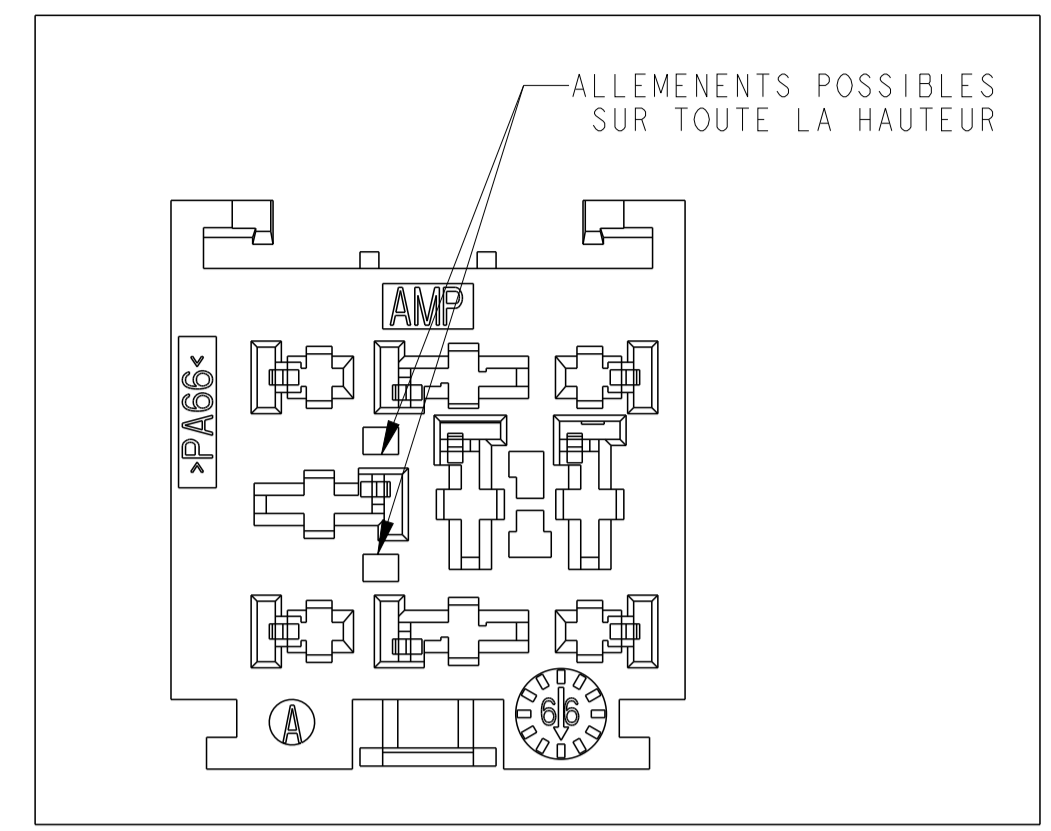
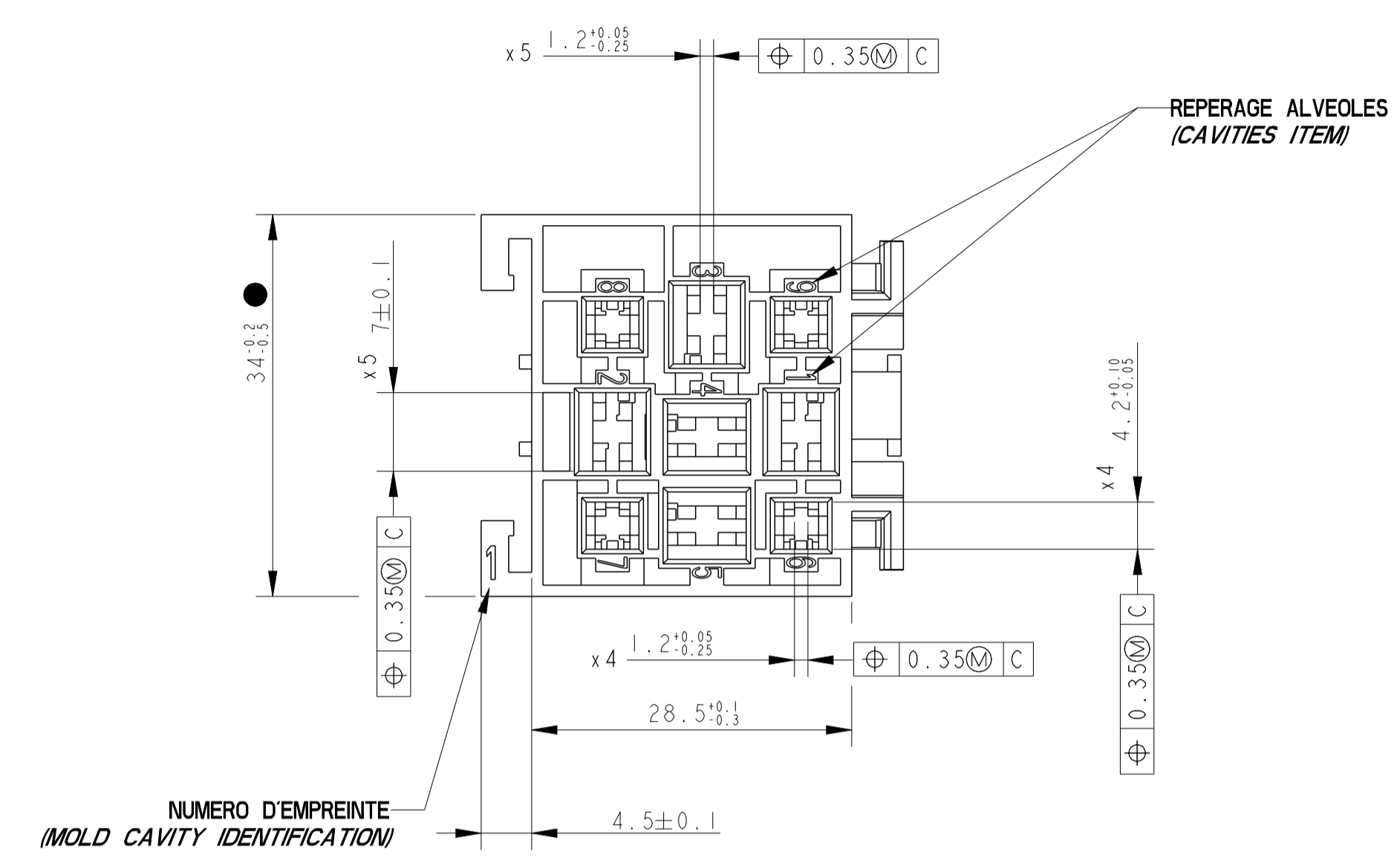


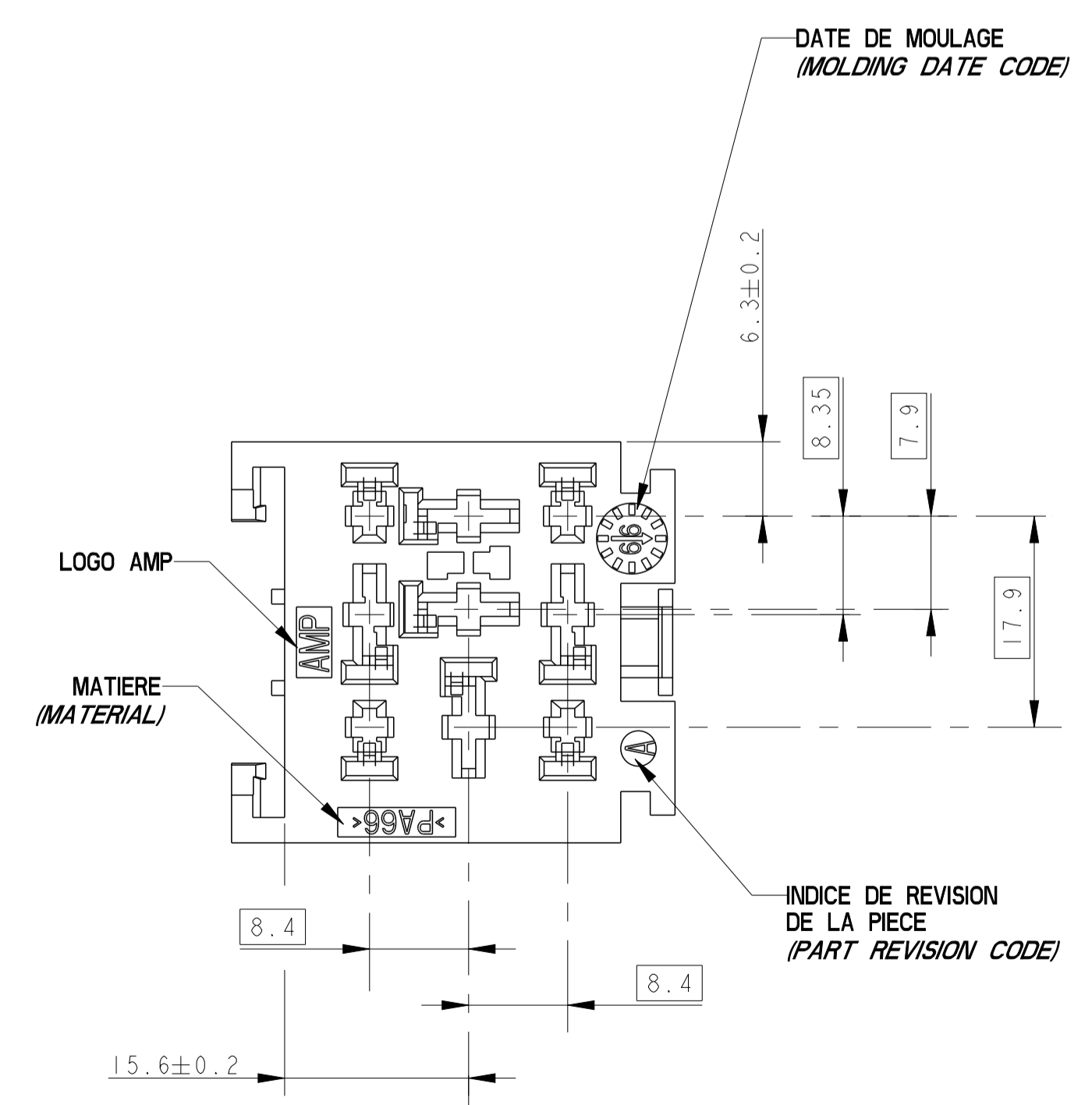
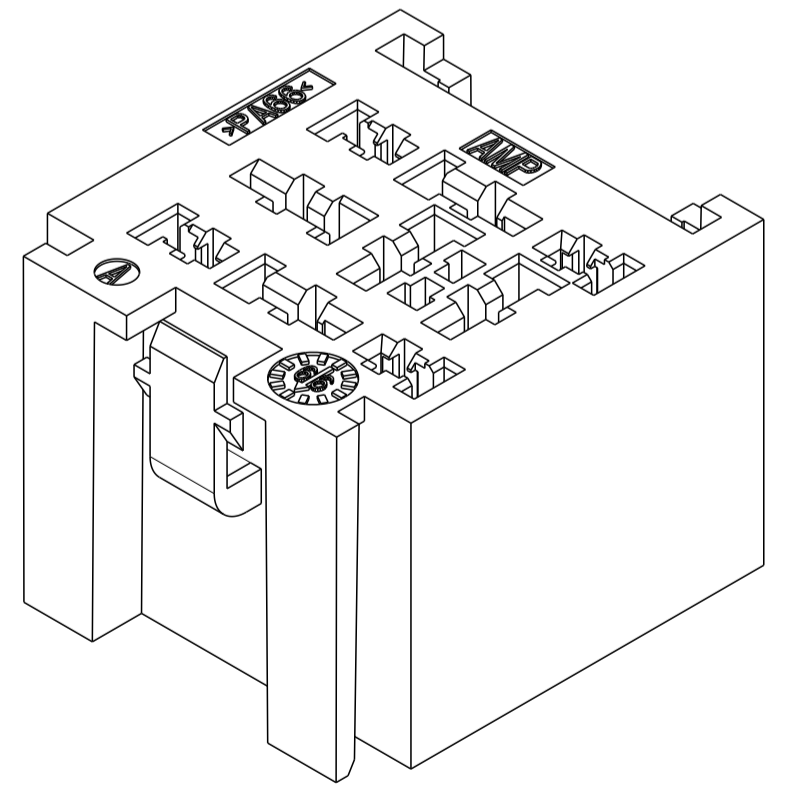
LOC		DIST		REVISIONS			
F	00	P	LTN	DESCRIPTION	DATE	DWN	APVD
		REV		MODIFICATIONS		DESS.	APP.
		A		INITIAL RELEASE	08APR2013	CS	JPP



COTE CAPABILITE MACHINE  
 MOLD CAPABILITY DIMENSION

MARRON (BROWN)	PA 6.6	185403-4
GRIS (GREY)	PA 6.6	185403-3
NOIR (BLACK)	PA 6.6	185403-2
CRISTAL (NATUREL) (CRYSTAL (NATURAL))	PA 6.6	185403-1
COULEUR (COLOR)	MATIERE (MATERIAL)	REF TE (TE PN)

COMPOSANTS ASSOCIES (APPLIED COMPONENTS)	
DESIGNATION (DESCRIPTION)	Ref TE (TE PN)
JPT 0.35-1mm <sup>2</sup>	144431-1
JPT 1-3mm <sup>2</sup>	144432-1
SPT 0.5-1mm <sup>2</sup>	927831-2
SPT 1-3mm <sup>2</sup>	144617-1
SPT 3-5mm <sup>2</sup>	144433-1
SPT 5-7mm <sup>2</sup>	144434-1



OUTIL EXTRACTEUR DE CLIPS:  
 (RECEPTACLE EXTRACTION TOOL)

- Pour alveole Relais 2.8 Ref:951746-1 (FOR RELAY CAVITY)
- Pour alveole Relais 6.35 Ref:951745-1 (FOR RELAY CAVITY)

THIS DRAWING IS A CONTROLLED DOCUMENT. CE PLAN EST UN DOCUMENT CONTROLÉ PAR TIVO ELECTRONICS - IL EST PROPRIÉTÉ DE TIVO PERIS - CONSULTER LE SERVICE TECHNIQUE DE TIVO ELECTRONICS POUR OBTENIR LA DERNIÈRE RÉVISION.

DWN /DESSEINE: C. SALGADO 08MAR2013  
 CHK /VERIFIE: JP PICAUD 08MAR2013

TE Connectivity

NAME: MODULE UNITAIRE 5+4 VOIES

PRODUCT SPEC: 108-15131  
 APPLICATION SPEC: 411-1551

SIZE: A1  
 CAGE CODE: 00779  
 DRAWING NO: 185403

RESTRICTED TO RESERVE A

Customer Drawing /PLAN CLIENT UNIFORMEMENT SCALE 2:1 SHEET 1 OF 1 REV A

# Mouser Electronics

Authorized Distributor

Click to View Pricing, Inventory, Delivery & Lifecycle Information:

[TE Connectivity:](#)

[185403-1](#)