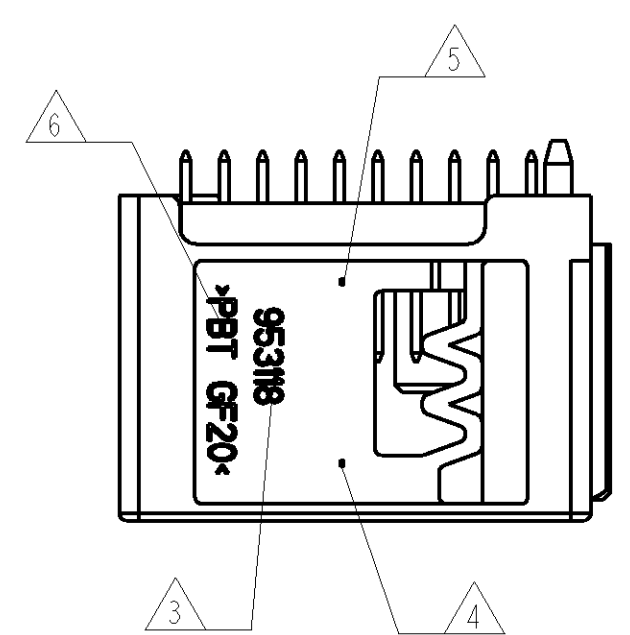
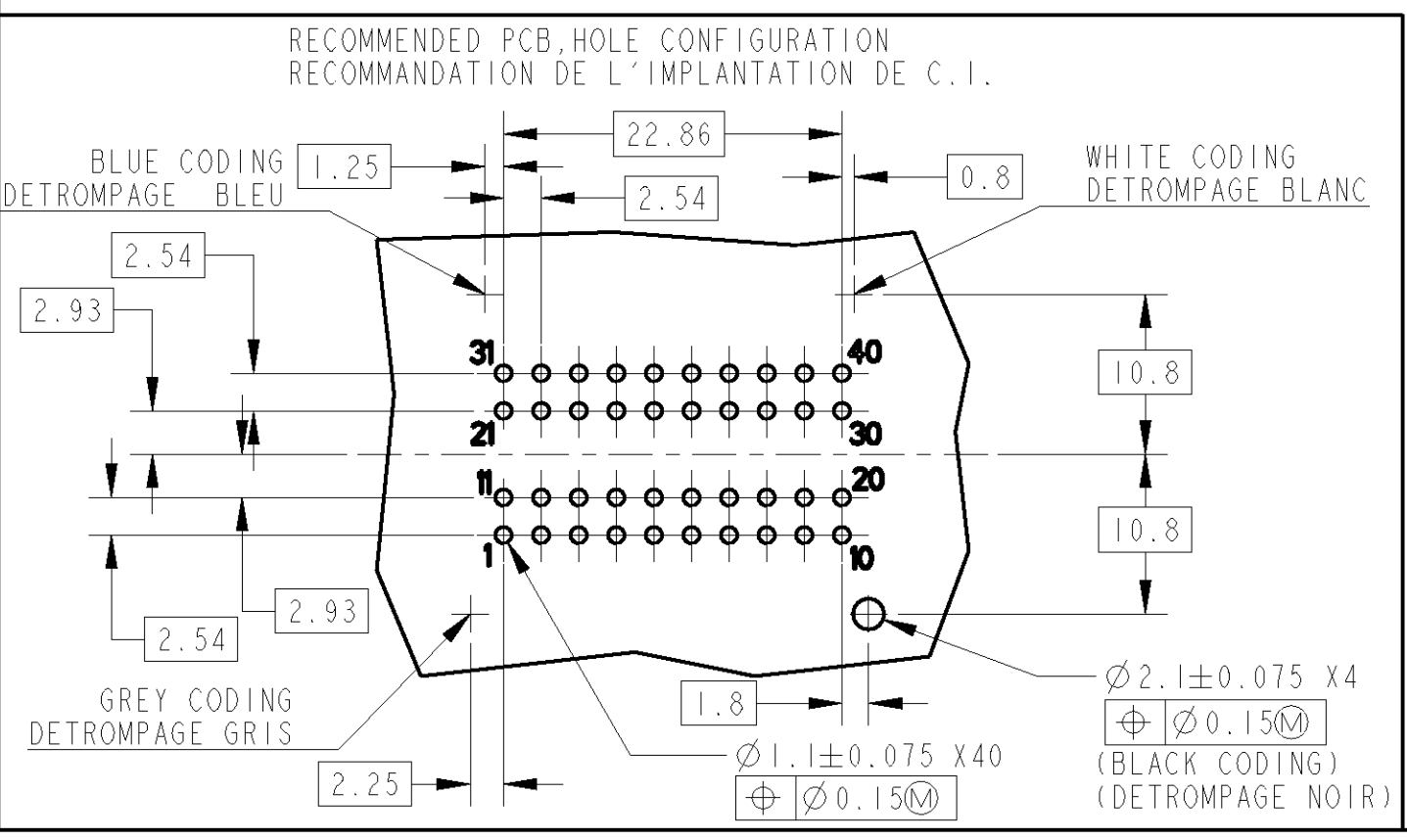
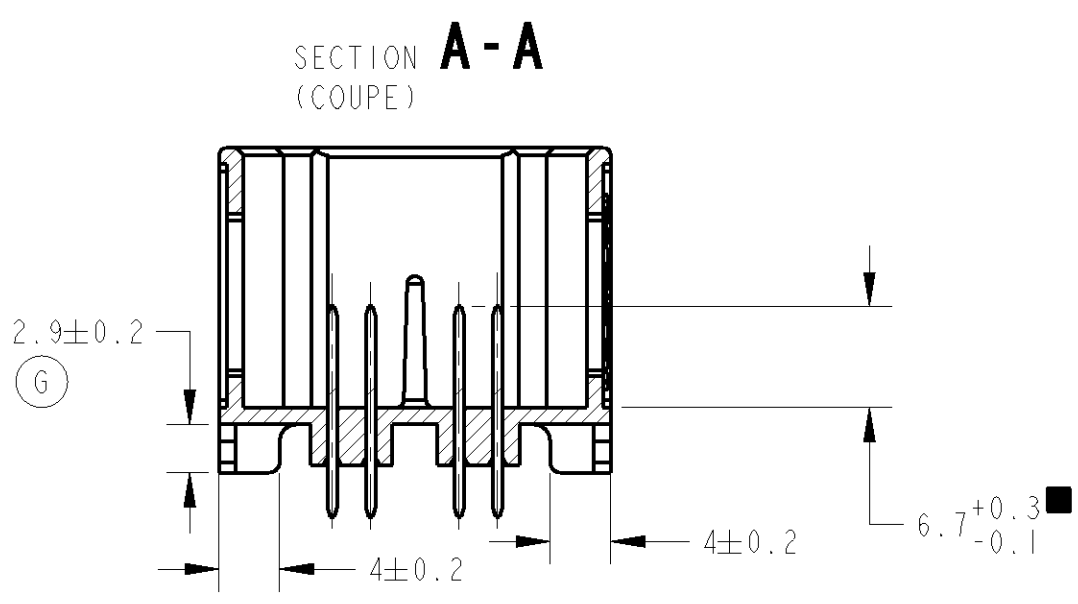
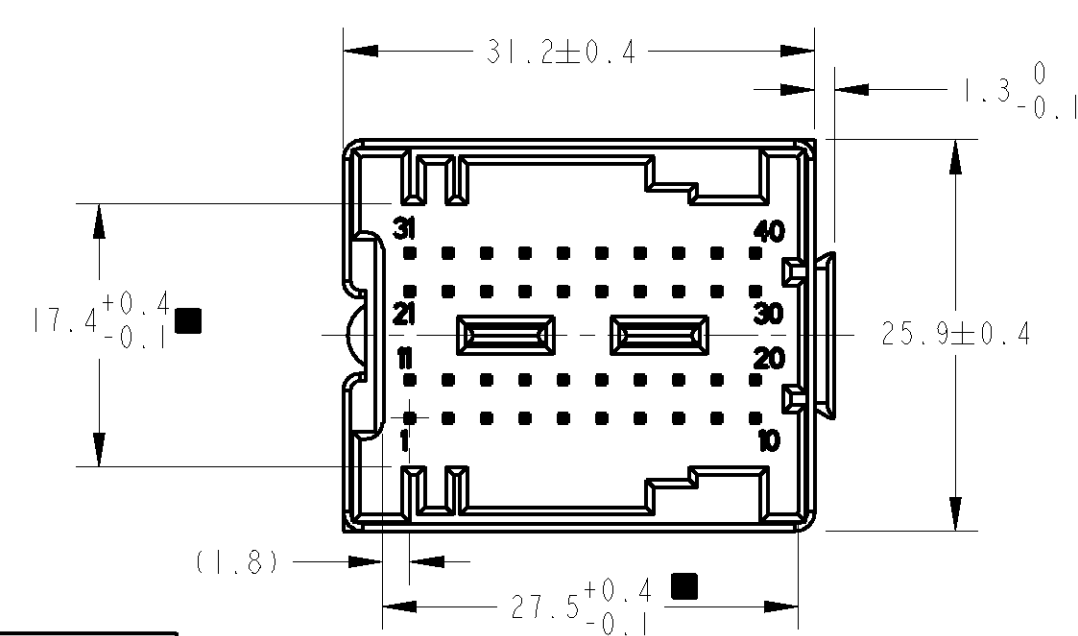
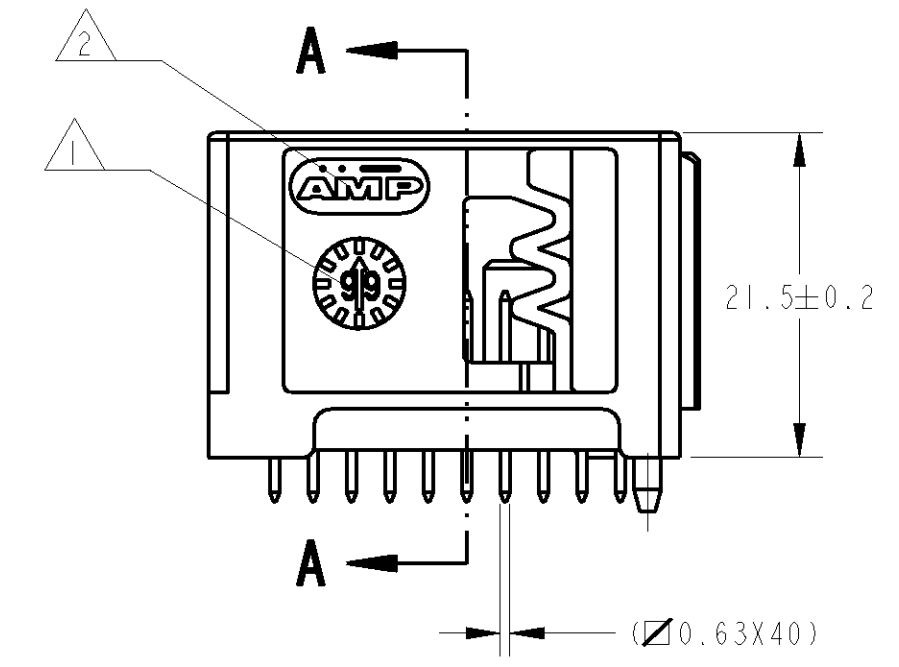
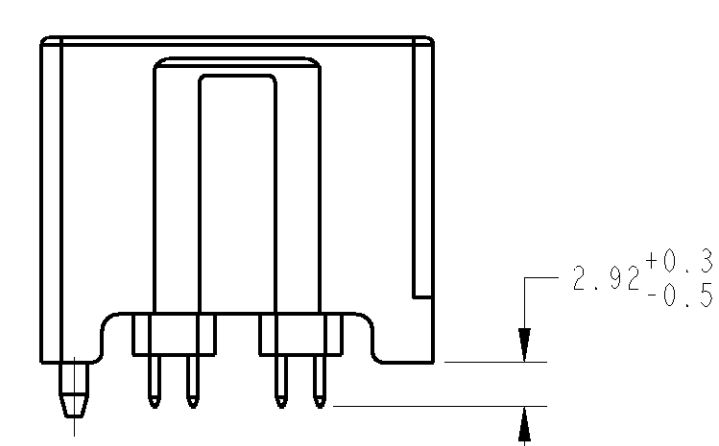
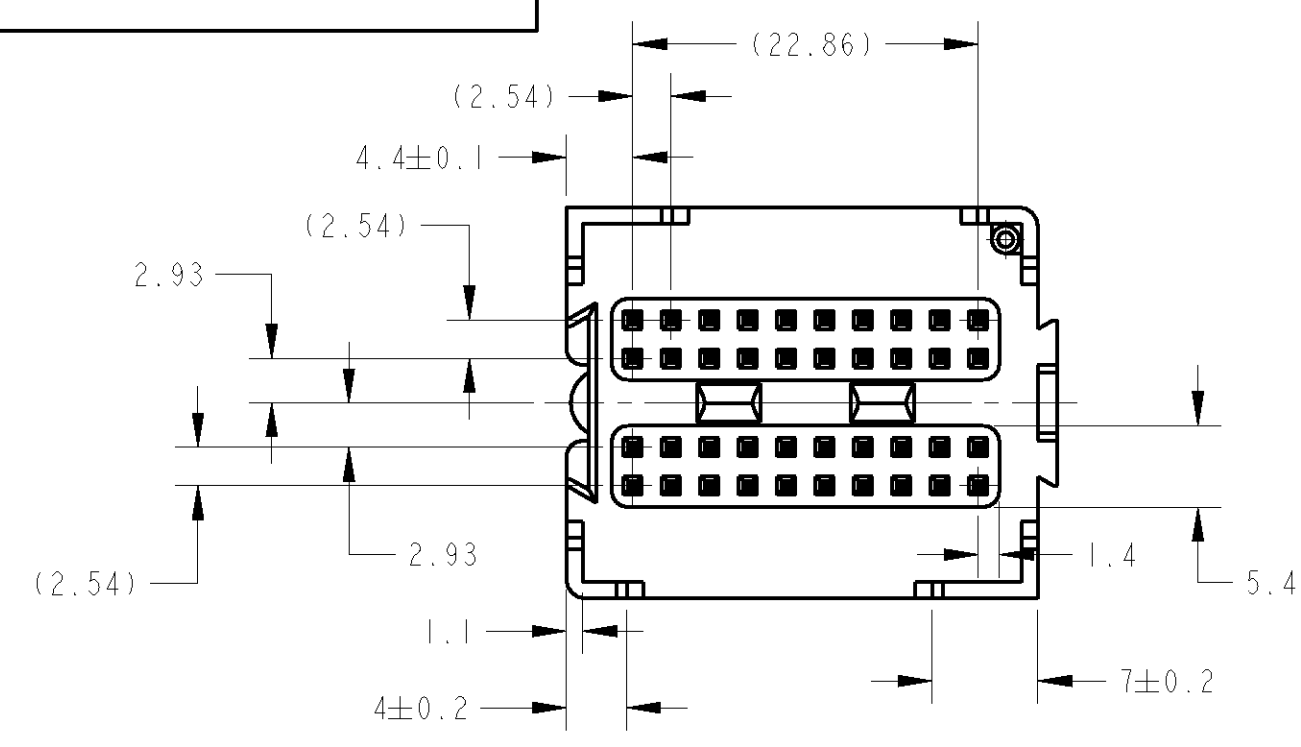
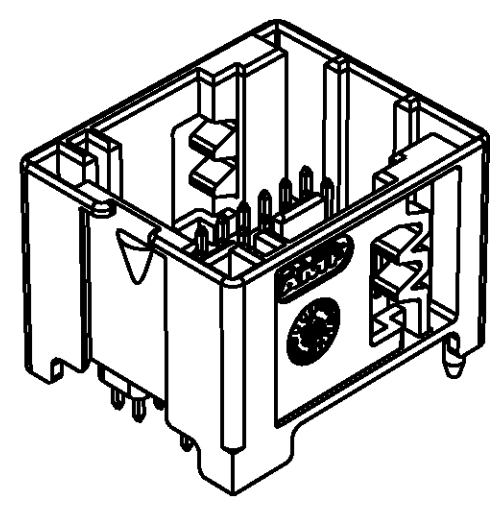


THIS DRAWING IS UNPUBLISHED. / DIFFUSION RESTREINTE
 RELEASED FOR PUBLICATION / LIBRE A LA DIFFUSION
 BY AMP INCORPORATED. / ALL RIGHTS RESERVED. / TOUS DROITS RESERVES



- NOTES:
- 1 DATE CODE / Date code
 - 2 AMP LOGO / Logo d'AMP
 - 3 ASSY PART NUMBER / Référence du produit assemblé
 - 4 REVISION STATUS / Révision du moule
 - 5 CAVITY MARKING / N° d'empreinte du moule
 - 6 MATERIAL : PBT-20GF / Matière
- CAPABILITY DIMENSION FOR THE TOOLINGS QUALIFICATION ONLY / Côte de capabilités uniquement pour la qualification d'outillages

LOC		DIST		REVISIONS			
P	LTR	DESCRIPTION MODIFICATIONS	DATE	DWN DESS.	APVD		
D		AJOUT DE LA COTE 4.4+/-0.1	09-OCT-00	S.I	J.R		
E		CREATION -5 A -8	02-FEV-01	A.D	J.L		
F		NOUVELLE REF. AVEC 3 CONTACTS DORES	12-AUG-04	NT.N	J.L		
G		CORRECT A DRAWING ERROR :2.9 REPLACE 3.2	11-JUL-07	NT.N	J.L		

COLOR / COULEUR	CONTACTS	DETAILS	REF.	FINISH
BLUE / Bleu	-8	(10.8)	1-953118-4	(1 to 10) tin+gold (11 to 40) tin plated
	-4	(1.25)	0-953118-4 or 0-953118-8	(1 to 40) tin plated
WHITE / Blanc	-7	(10.8)	1-953118-3	(8 to 10) tin+gold (1 to 7 & 11 to 40) tin plated
	-3	(0.8)	0-953118-3 or 0-953118-7	(1 to 40) tin plated
GREY / Gris	-6	(2.25)	0-953118-2 or 0-953118-6	(1 to 40) tin plated
	-2	(10.8)		
BLACK / Noir	-5		0-953118-1 or 0-953118-5	(1 to 40) tin plated
	-1			

SCALE / ECH. 1:1

CODING FROM MATING SIDE / DETROMPAGE DU COTE CONNECTEUR

CODING FROM PCB SIDE / DETROMPAGE DU COTE C.I

ASSY P/N REF. ASSEMBLEE

CONTACT PIN BROCHE

THIS DRAWING IS A CONTROLLED DOCUMENT FOR AMP INCORPORATED. / IT IS SUBJECT TO CHANGE AND THE CONTROLLING ENGINEERING ORGANIZATION SHOULD BE CONTACTED FOR THE LATEST REVISION. / CE PLAN EST UN DOCUMENT CONTROLÉ PAR AMP INCORPORATED. / IL EST SUSCEPTIBLE D'ÊTRE REVISÉ, CONTACTER LE SERVICE TECHNIQUE D'AMP DE FRANCE POUR OBTENIR LA DERNIÈRE RÉVISION.

DIMENSIONS: mm

TOLERANCES UNLESS OTHERWISE SPECIFIED: / TOLERANCES NON SPECIFIÉES (SUIVY NR DE DECIMALES)

FINISH FINITION

MATERIAL MATIERE: PBT 20GF

APVD / APPROUVE: J. LALANGE

CHK / VERIFIE: S. IVANOVIC

DATE: 20-Nov-97

PRODUCT SPEC: 108-15191

APPLICATION SPEC: APPLICATION

WEIGHT MASSE APPROX.: 9g

CUSTOMER DRAWING / PLAN CLIENT

UNIFORMEMENT POUR REFERENCE

SCALE ECHELLE: ?

SHEET FEUILLE: ?

OF DE: ?

REV: G

AMP DE FRANCE 95301 PONTOISE

AMP

EMBASE 40 VOIES MQS DROITE HEADER ASSY, 40 POSN, STRAIGHT, MQS

SIZE FORMAT: A2

CAGE CODE: 00779

DRAWING NO: C-953118

RESTRICTED TO RESERVE A

Mouser Electronics

Authorized Distributor

Click to View Pricing, Inventory, Delivery & Lifecycle Information:

[TE Connectivity:](#)

[953118-4](#)