

THIS DRAWING IS UNPUBLISHED. RELEASED FOR PUBLICATION 20
 © COPYRIGHT 20 BY - ALL RIGHTS RESERVED.

REVISIONS				
P	LTR	DESCRIPTION	DATE	APVD
A		INITIAL RELEASE	27OCT2016	N.P X.X

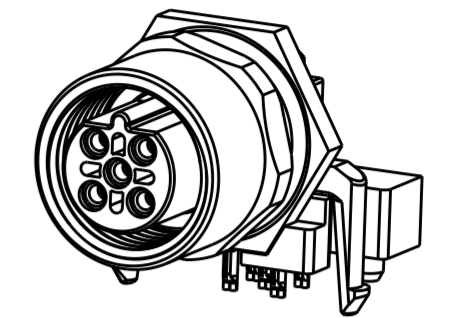
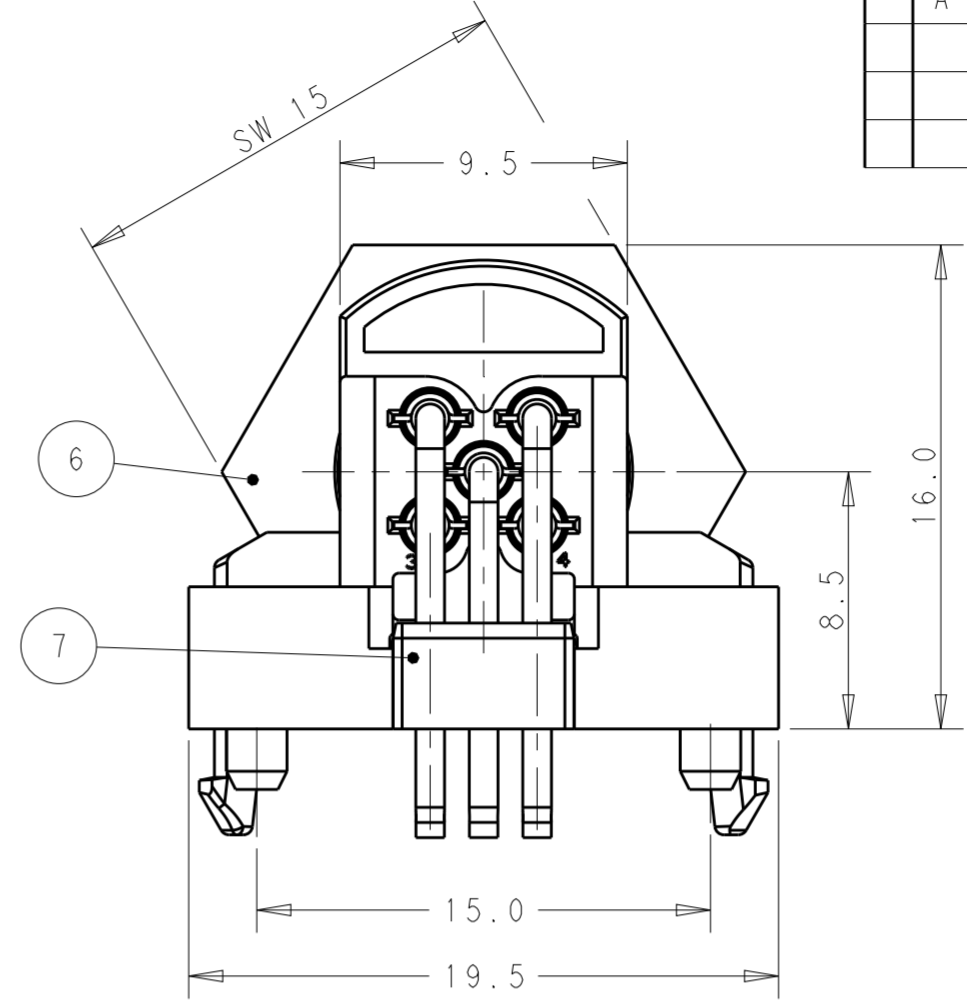
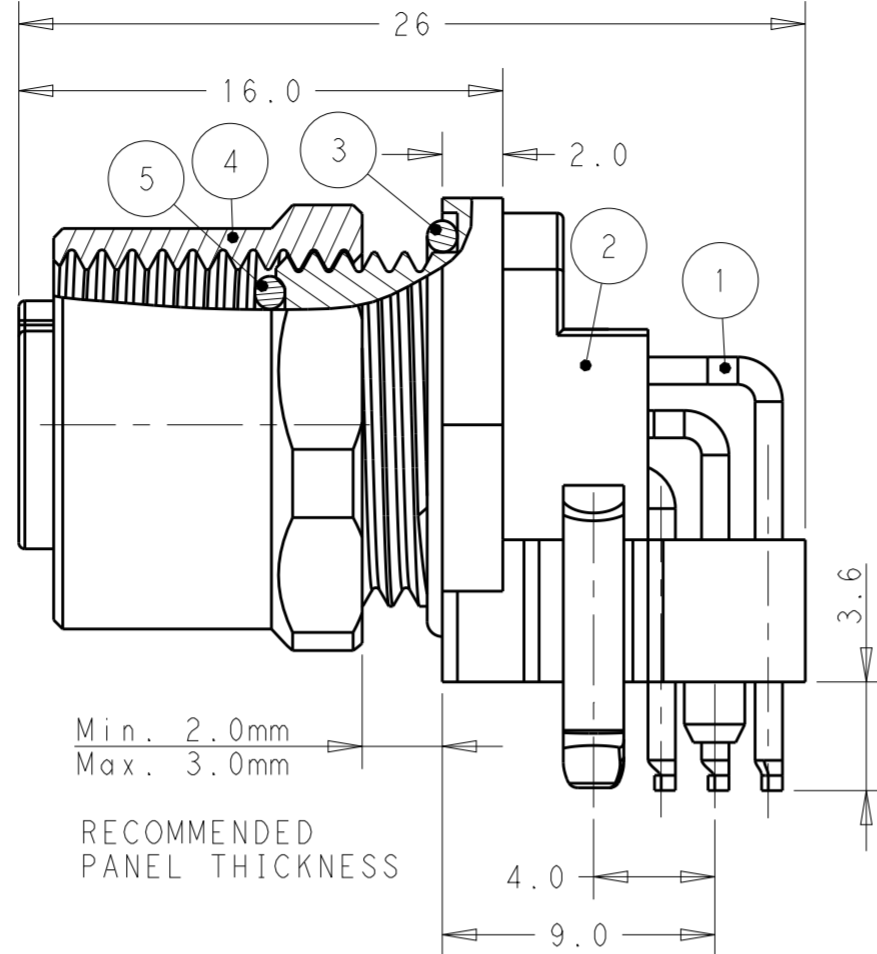
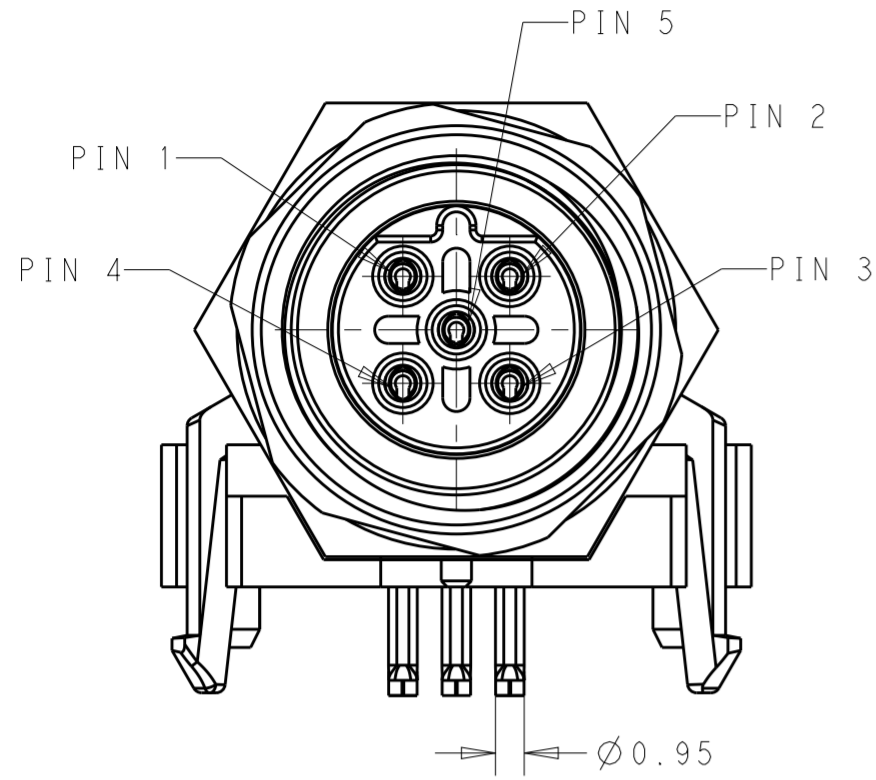
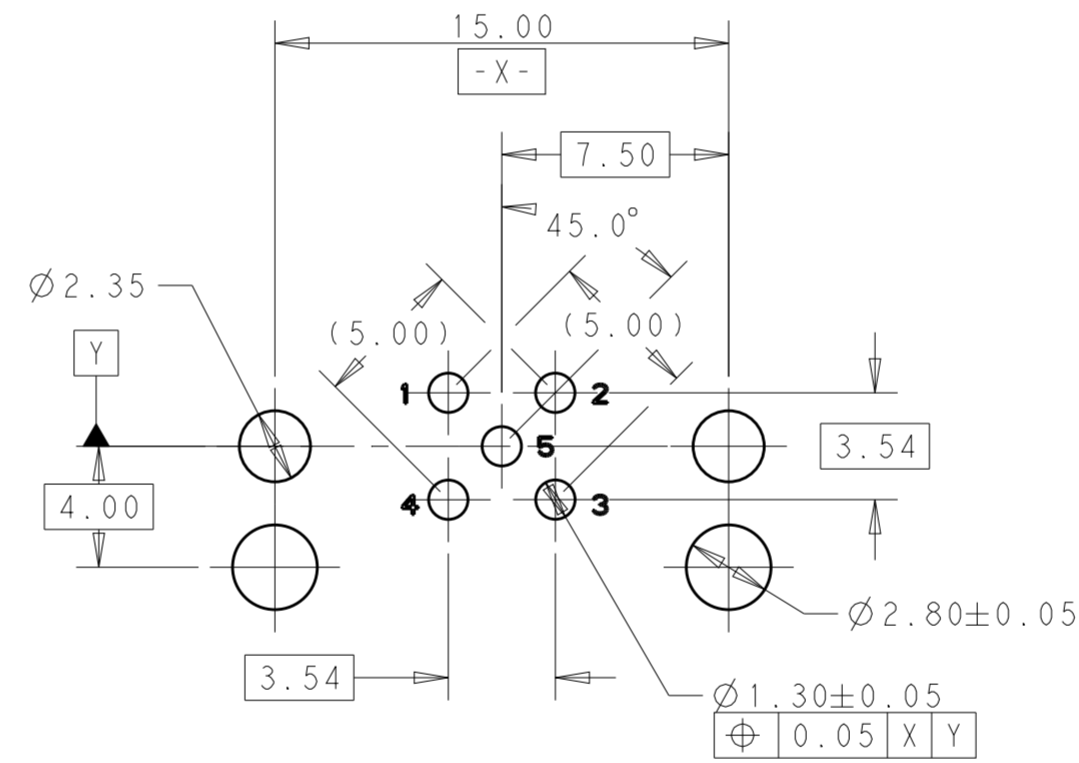
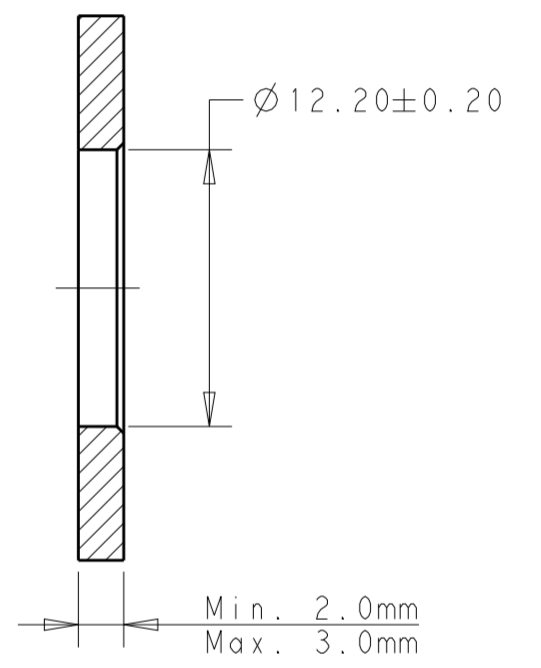


TABLE 1

TECHNICAL DATA	T4145415021-001	T4145415031-001	T4145415041-001	T4145415051-001
RATED VOLTAGE	250V	250V	250V	60V
TATED IMPULSE VOLTAGE	2500V	2500V	2500V	1500V
RATED CURRENT	4A	4A	4A	4A
POLLUTION DEGREE	3	3	3	3
OVERVOLTAGE CATEGORY	II	II	II	II
MATERIAL GROUP	II	II	II	II
CONTACT RESISTANCE	≤5mΩ	≤5mΩ	≤5mΩ	≤5mΩ
INSULATION RESISTANCE	>100MΩ	>100MΩ	>100MΩ	>100MΩ
DEGREE OF PROTECTION	IP67	IP67	IP67	IP67
OPERATION TEMPERATURE	-40~85°C	-40~85°C	-40~85°C	-40~85°C



RECOMMENDED PCB LAYOUT
 PCB THICKNESS: 1.6mm



RECOMMENDED PANEL SIZE

TABLE 2

PIN ARRANGEMENT B-CODE

T4145415021-001	T4145415031-001	T4145415041-001	T4145415051-001

NOTES:

1. TECHNICAL DATA: SEE TABLE 1
2. PIN ARRANGEMENT: SEE TABLE 2
3. RECOMMEND TORQUE 0.6Nm
4. ALL PRODUCT MUST COMPLIANCE WITH ROHS AND REACH.

注意事项
 1. 技术参数: 见表1
 2. PIN 针排布见表2;
 3. 推荐扭矩0.6Nm;
 4. 产品必须符合ROHS与REACH.

COMMENTS	MATERIAL	DESCRIPTON	ITEM
	PA66	SPACER	7
-	COPPER ALLOY	NUT	6
	PRUBBER	O-RING	5
-	COPPER ALLOY	COUPLING NUT	4
	RUBBER	O-RING	3
BALCK COLOR	PA66	HOUSING	2
GOLD FLASH	COPPER ALLOY	CONTACT	1

TYPE	POS.	PART NUMBER
RPC-M12B-FF-5CON-M12-LP1	5	T4145415051-001
RPC-M12B-FF-4CON-M12-LP1	4	T4145415041-001
RPC-M12B-FF-3CON-M12-LP1	3	T4145415031-001
RPC-M12B-FF-2CON-M12-LP1	2	T4145415021-001

THIS DRAWING IS A CONTROLLED DOCUMENT.		DWN Nick Pan 23AUG2016
DIMENSIONS: mm		CHK Kobby Zhao 23AUG2016
TOLERANCES UNLESS OTHERWISE SPECIFIED:		APVD Xiang Xu 23AUG2016
0 PLC	±	PRODUCT SPEC
1 PLC	±0.25	108-106140
2 PLC	±0.15	APPLICATION SPEC
3 PLC	±0.10	
4 PLC	±	
ANGLES	±	
MATERIAL	FINISH	WEIGHT
material_2	finish_spec_2	

STE TE Connectivity

NAME: M12 RECEPTACLE CONNECTOR PCB ASSEMBLY, ANGLED, UNSHIELDED, B-CODE

SIZE: A2 CAGE CODE: - DRAWING NO: T41454150X1001 RESTRICTED TO: -

SCALE: 5:1 SHEET: 1 OF 1 REV: A