



# TRSB

## ➤ MAIN FEATURES

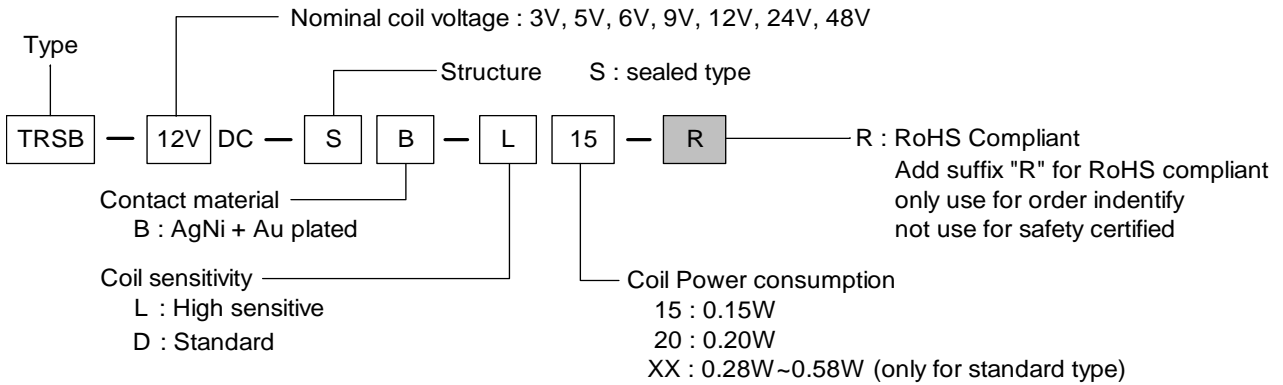
- 2 Form C (DPDT) bifurcated-cross-bar contacts.
- Gold Clad silver contact.
- Dip-2C type matching 16pin IC socket.
- Sealed type available.
- UL and CUL recognized.
- High sensitivity.
- Coil Power Consumption : 0.15 ~ 0.58W



## ➤ APPLICATIONS

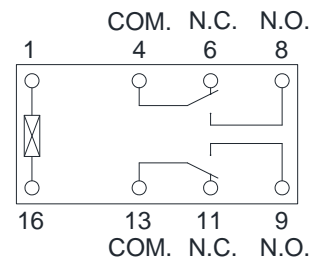
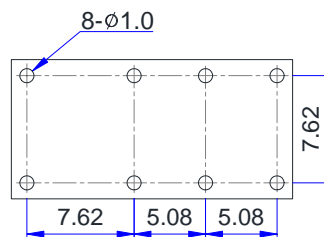
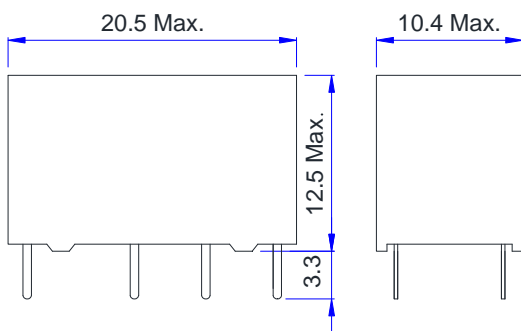
- Telecommunication equipment, domestic appliances, office machines, audio equipment, etc.

## ➤ ORDERING INFORMATION



## ■ DIMENSION (unit:mm)      ■ DRILLING (unit:mm)      ■ WIRING DIAGRAM

(Bottom views)



Remark: 1. In case of no tolerance shown in dimension:  $\pm 0.5$ mm.  
2. The tolerance without indicating for DRILLING is always  $\pm 0.1$ mm.

➤ **COIL DATA CHART**(at 20°C)

Coil Sensitivity	Coil Voltage Code	Nominal Voltage (VDC)	Nominal Current (mA)	Coil Resistance $\pm 10\%(\Omega)$	Power Consumption (W)	Pull-In Voltage (VDC)	Drop-Out Voltage (VDC)	Max-Allowable Voltage (VDC)
TRSB -L Type (High sensitivity)	5	5	29.9	167	abt. 0.15W	80% Max.	5% Min.	150%
	6	6	25.0	240				
	9	9	16.7	540				
	12	12	12.5	960				
	3	3	66.7	45	abt. 0.2W	80% Max.	5% Min.	150%
	5	5	40	125				
	6	6	33.3	180				
	9	9	22.2	405				
12	12	16.7	720					
24	24	8.3	2880					
TRSB -D Type (Standard)	3	3	100	30	0.3W	80% Max.	5% Min.	150%
	5	5	55.6	90	0.28W			
	6	6	46.2	130	0.28W			
	9	9	32.1	280	0.29W			
	12	12	26.7	450	0.32W			
	24	24	15	1600	0.36W			
48	48	12	4000	0.58W				

➤ **CONTACT RATING**

Item	Type	TRSB
Contact Capacity		1A 125VAC
Resistive Load (cosΦ=1)		2A 30VDC
Rated Carrying Current		2A
Max. Switching Voltage		240VAC, 120VDC
Max. Switching Current		2A
Max. Switching Power Force		125VA, 60W
Referenced Min Applicable Load		100mVDC 0.1mA
Contact Material		AgNi + Au plated

➤ **PERFORMANCE** (at initial value)

Item	Type	TRSB
Contact Resistance		100mΩ Max.
Operation Time		8msec Max.
Release Time		5msec Max.
Dielectric Strength		1500VAC
Between coil & contact (1 minute)		750VAC
Between contacts (1 minute)		
Surge Resistiveness		1500V
Insulation Resistance (at 500VDC)		1000 MΩ Min.
Max. ON/OFF Switching		
Mechanically		300 operation/min
Electrically		30 operation/min
Operating Ambient Temperature		-40°C to +85°C
Operating Humidity		98% RH, 40°C
Vibration		10 to 55Hz Double Amplitude 1.5mm
Shock		
Destructive		980m/s <sup>2</sup> .
Functional		196m/s <sup>2</sup> .
Life Expectancy		
Mechanically		1 × 10 <sup>8</sup> ops. Min. (no load)
Electrically		1 × 10 <sup>5</sup> ops. Min.
Weight		abt. 5grs.
UL & CUL		E156521

This datasheet for reference and subject to change without notice. Please double check final specification with Tai-Shing. (1325AA08VOL01)