



78LXXM

LINEAR INTEGRATED CIRCUIT

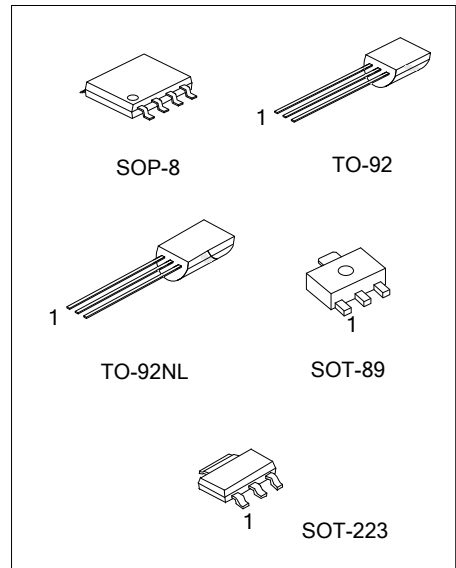
3-TERMINAL 0.2A POSITIVE VOLTAGE REGULATOR

■ DESCRIPTION

The UTC **78LXXM** family is monolithic fixed voltage regulator integrated circuit. They are suitable for applications that required supply current up to 200mA.

■ FEATURES

- *Output Current up to 200mA
- *Fixed Output Voltage of 5V, 6V, 8V, 9V, 10V, 12V, 15V, 18V and 24V Available
- *Thermal Overload Shutdown Protection
- *Short Circuit Current Limiting



■ ORDERING INFORMATION

Ordering Number		Package	Pin Assignment								Packing
Lead Free	Halogen Free		1	2	3	4	5	6	7	8	
-	78LXXMG-AA3-R	SOT-223	O	G	I	-	-	-	-	-	Tape Reel
-	78LXXMG-AB3-R	SOT-89	O	G	I	-	-	-	-	-	Tape Reel
78LXXML-T92-B	78LXXMG-T92-B	TO-92	O	G	I	-	-	-	-	-	Tape Box
78LXXML-T92-K	78LXXMG-T92-K	TO-92	O	G	I	-	-	-	-	-	Bulk
78LXXML-T9N-B	78LXXMG-T9N-B	TO-92NL	O	G	I	-	-	-	-	-	Tape Box
78LXXML-T9N-K	78LXXMG-T9N-K	TO-92NL	O	G	I	-	-	-	-	-	Bulk
-	78LXXMG-S08-R	SOP-8	O	G	G	NC	NC	G	G	I	Tape Reel

Note: 1. XX: Output Voltage, refer to Marking Information
 2. Pin Assignment: O: Output G: GND I: Input

<p>78LXXMG-AA3-R</p>	<p>(1) B: Tape Box, K: Bulk, R: Tape Reel (2) AA3: SOT-223, AB3: SOT-89, S08: SOP-8, T92: TO-92, T9N: TO-92NL (3) G: Halogen Free and Lead Free, L: Lead Free (4) xx: refer to Marking Information</p>
----------------------	---

MARKING INFORMATION

PACKAGE	VOLTAGE CODE	MARKING
SOT-223	05:5.0V 06:6.0V 08:8.0V 09:9.0V 10:10V 12:12V 15:15V 18:18V 24:24V	<p>Voltage Code ← 78L□□ MG → Date Code</p> <p>1 2 3</p>
SOP-8		<p>UTC□□□□ → Date Code</p> <p>Voltage Code ← 78L□□ MG</p>
SOT-89		<p>Date Code ← □□□</p> <p>Voltage Code ← 78L□□ MG</p> <p>1 2 3</p>
TO-92		<p>UTC</p> <p>Voltage Code ← 78L□□ M□ → L: Lead Free</p> <p>→ G: Halogen Free</p> <p>→ Date Code</p> <p>1</p>
TO-92NL		<p>UTC</p> <p>Voltage Code ← 78L□□ M□ → L: Lead Free</p> <p>→ G: Halogen Free</p> <p>→ Date Code</p> <p>3 2 1</p>

■ ABSOLUTE MAXIMUM RATINGS

(Operating temperature range applies unless otherwise specified.)

PARAMETER		SYMBOL	RATINGS	UNIT
Input Voltage	$V_{OUT}=5\sim 9V$	V_{IN}	30	V
	$V_{OUT}=12\sim 24V$		35	V
Output Current		I_{OUT}	200	mA
Power Dissipation	SOP-8	P_D	500	mW
	TO-92		625	
	TO-92L		800	
	TO-92NL		800	
	SOT-89		500	
	SOT-223		750	
Ambient Operating Temperature		T_{OPR}	-40~+85	°C
Storage Temperature		T_{STG}	-55~+150	°C

Note Absolute maximum ratings are those values beyond which the device could be permanently damaged.

Absolute maximum ratings are stress ratings only and functional device operation is not implied.

■ ELECTRICAL CHARACTERISTICS

(0°C < T_J < 125°C, $C_1=0.33\mu F$, $C_0=0.1\mu F$, unless otherwise specified) (Note 1)

For UTC78L05M ($V_{IN}=10V$, $I_{OUT}=40mA$)

PARAMETER	SYMBOL	TEST CONDITIONS	MIN	TYP	MAX	UNIT
Output Voltage	V_{OUT}	$T_J=25^\circ C$	4.80	5.0	5.20	V
		$7V \leq V_{IN} \leq 20V, I_{OUT}=1mA \sim 40mA$	4.75		5.25	V
		$7V \leq V_{IN} \leq V_{MAX}$ $I_{OUT}=1mA \sim 200mA$	4.75		5.25	V (Note 2)
Load Regulation	ΔV_{OUT}	$T_J=25^\circ C, I_{OUT}=1mA \sim 100mA$		11	60	mV
		$T_J=25^\circ C, I_{OUT}=1mA \sim 40mA$		5.0	30	mV
Line Regulation	ΔV_{OUT}	$7V \leq V_{IN} \leq 20V, T_J=25^\circ C$		8	150	mV
		$8V \leq V_{IN} \leq 20V, T_J=25^\circ C$		6	100	mV
Quiescent Current	I_Q			2.0	5.5	mA
Quiescent Current Change	ΔI_Q	$8V \leq V_{IN} \leq 20V$			1.5	mA
		$1mA \leq V_{IN} \leq 40mA$			0.1	mA
Output Noise Voltage	e_N	$10Hz \leq f \leq 100kHz$		40		μV
Temperature Coefficient of V_{OUT}	$\Delta V_O/\Delta T$	$I_{OUT}=5mA$		-0.65		mV/°C
Ripple Rejection	RR	$8V \leq V_{IN} \leq 20V, f=120Hz, T_J=25^\circ C$	41	80		dB
Dropout Voltage	V_D	$T_J=25^\circ C$		1.7		V

For UTC78L06M ($V_{IN}=12V$, $I_{OUT}=40mA$)

PARAMETER	SYMBOL	TEST CONDITIONS	MIN	TYP	MAX	UNIT
Output Voltage	V_{OUT}	$T_J=25^\circ C$	5.76	6.0	6.24	V
		$8.5V \leq V_{IN} \leq 20V, I_{OUT}=1mA \sim 40mA$	5.7		6.3	V
		$8.5V \leq V_{IN} \leq V_{MAX}$, $I_{OUT}=1mA \sim 200mA$	5.7		6.3	V (Note 2)
Load Regulation	ΔV_{OUT}	$T_J=25^\circ C, I_{OUT}=1mA \sim 100mA$		12.8	80	mV
		$T_J=25^\circ C, I_{OUT}=1mA \sim 70mA$		5.8	40	mV
Line Regulation	ΔV_{OUT}	$8.5V \leq V_{IN} \leq 20V, T_J=25^\circ C$		64	175	mV
		$9V \leq V_{IN} \leq 20V, T_J=25^\circ C$		54	125	mV
Quiescent Current	I_Q			3.9	6.0	mA
Quiescent Current Change	ΔI_Q	$9V \leq V_{IN} \leq 20V$			1.5	mA
		$1mA \leq V_{IN} \leq 40mA$			0.1	mA
Output Noise Voltage	e_N	$10Hz \leq f \leq 100kHz$		49		μV
Temperature Coefficient of V_{OUT}	$\Delta V_O/\Delta T$	$I_{OUT}=5mA$		0.75		mV/°C
Ripple Rejection	RR	$10V \leq V_{IN} \leq 20V, f=120Hz, T_J=25^\circ C$	40	46		dB
Dropout Voltage	V_D	$T_J=25^\circ C$		1.7		V

■ ELECTRICAL CHARACTERISTICS(Cont.)

For UTC78L08M ($V_{IN}=14V$, $I_{OUT}=40mA$)

PARAMETER	SYMBOL	TEST CONDITIONS	MIN	TYP	MAX	UNIT
Output Voltage	V_{OUT}	$T_J=25^{\circ}C$	7.68	8.0	8.32	V
		$10.5V \leq V_{IN} \leq 23V, I_{OUT}=1mA \sim 40mA$	7.60		8.40	V
		$10.5V \leq V_{IN} \leq V_{MAX},$ $I_{OUT}=1mA - 200mA$	7.60		8.40	V (Note 2)
Load Regulation	ΔV_{OUT}	$T_J=25^{\circ}C, I_{OUT}=1mA \sim 100mA$		15	80	mV
		$T_J=25^{\circ}C, I_{OUT}=1mA \sim 70mA$		8.0	40	mV
Line Regulation	ΔV_{OUT}	$10.5V \leq V_{IN} \leq 23V, T_J=25^{\circ}C$		10	175	mV
		$11V \leq V_{IN} \leq 23V, T_J=25^{\circ}C$		8	125	mV
Quiescent Current	I_Q			2.0	5.5	mA
Quiescent Current Change	ΔI_Q	$11V \leq V_{IN} \leq 23V$			1.5	mA
		$1mA \leq V_{IN} \leq 40mA$			0.1	mA
Output Noise Voltage	e_N	$10Hz \leq f \leq 100kHz$		49		μV
Temperature Coefficient of V_{OUT}	$\Delta V_O/\Delta T$	$I_{OUT}=5mA$		0.75		$mV/^{\circ}C$
Ripple Rejection	RR	$11V \leq V_{IN} \leq 23V, f=120Hz, T_J=25^{\circ}C$	39	70		dB
Dropout Voltage	V_D	$T_J=25^{\circ}C$		1.7		V

For UTC78L09M ($V_{IN}=15V$, $I_{OUT}=40mA$)

PARAMETER	SYMBOL	TEST CONDITIONS	MIN	TYP	MAX	UNIT
Output Voltage	V_{OUT}	$T_J=25^{\circ}C$	8.64	9.0	9.36	V
		$11.5V \leq V_{IN} \leq 24V, I_{OUT}=1mA \sim 40mA$	8.55		9.45	V
		$11.5V \leq V_{IN} \leq V_{MAX},$ $I_{OUT}=1mA - 200mA$	8.55		9.45	V (Note 2)
Load Regulation	ΔV_{OUT}	$T_J=25^{\circ}C, I_{OUT}=1mA \sim 100mA$		20	90	mV
		$T_J=25^{\circ}C, I_{OUT}=1mA \sim 40mA$		10	45	mV
Line Regulation	ΔV_{OUT}	$11.5V \leq V_{IN} \leq 24V, T_J=25^{\circ}C$		90	200	mV
		$13V \leq V_{IN} \leq 24V, T_J=25^{\circ}C$		100	150	mV
Quiescent Current	I_Q			2.0	6.0	mA
Quiescent Current Change	ΔI_Q	$13V \leq V_{IN} \leq 24V$			1.5	mA
		$1mA \leq V_{IN} \leq 40mA$			0.1	mA
Output Noise Voltage	e_N	$10Hz \leq f \leq 100kHz$		49		μV
Temperature Coefficient of V_{OUT}	$\Delta V_O/\Delta T$	$I_{OUT}=5mA$		0.75		$mV/^{\circ}C$
Ripple Rejection	RR	$12V \leq V_{IN} \leq 23V, f=120Hz, T_J=25^{\circ}C$	38	44		dB
Dropout Voltage	V_D	$T_J=25^{\circ}C$		1.7		V

For UTC78L10M ($V_{IN}=16V$, $I_{OUT}=40mA$)

PARAMETER	SYMBOL	TEST CONDITIONS	MIN	TYP	MAX	UNIT
Output Voltage	V_{OUT}	$T_J=25^{\circ}C$	9.6	10.0	10.4	V
		$12.5V \leq V_{IN} \leq 23V, I_{OUT}=1mA \sim 40mA$	9.5		10.5	V
		$12.5V \leq V_{IN} \leq V_{MAX},$ $I_{OUT}=1mA - 200mA$	9.5		10.5	V (Note 2)
Load Regulation	ΔV_{OUT}	$T_J=25^{\circ}C, I_{OUT}=1mA \sim 100mA$		20	94	mV
		$T_J=25^{\circ}C, I_{OUT}=1mA \sim 70mA$		10	47	mV
Line Regulation	ΔV_{OUT}	$12.5V \leq V_{IN} \leq 23V, T_J=25^{\circ}C$		100	220	mV
		$14V \leq V_{IN} \leq 23V, T_J=25^{\circ}C$		200	170	mV
Quiescent Current	I_Q			4.2	6.5	mA
Quiescent Current Change	ΔI_Q	$12.5V \leq V_{IN} \leq 23V$			1.5	mA
		$1mA \leq V_{IN} \leq 40mA$			0.1	mA
Output Noise Voltage	e_N	$10Hz \leq f \leq 100kHz$		74		μV
Temperature Coefficient of V_{OUT}	$\Delta V_O/\Delta T$	$I_{OUT}=5mA$		0.95		$mV/^{\circ}C$
Ripple Rejection	RR	$15V \leq V_{IN} \leq 23V, f=120Hz, T_J=25^{\circ}C$	38	43		dB
Dropout Voltage	V_D	$T_J=25^{\circ}C$		1.7		V

■ ELECTRICAL CHARACTERISTICS(Cont.)

For UTC78L10M ($V_{IN}=16V$, $I_{OUT}=40mA$)

PARAMETER	SYMBOL	TEST CONDITIONS	MIN	TYP	MAX	UNIT
Output Voltage	V_{OUT}	$T_J=25^{\circ}C$	9.6	10.0	10.4	V
		$12.5V \leq V_{IN} \leq 23V, I_{OUT}=1mA \sim 40mA$	9.5		10.5	V
		$12.5V \leq V_{IN} \leq V_{MAX},$ $I_{OUT}=1mA - 200mA$	9.5		10.5	V (Note 2)
Load Regulation	ΔV_{OUT}	$T_J=25^{\circ}C, I_{OUT}=1mA \sim 100mA$		20	94	mV
		$T_J=25^{\circ}C, I_{OUT}=1mA \sim 70mA$		10	47	mV
Line Regulation	ΔV_{OUT}	$12.5V \leq V_{IN} \leq 23V, T_J=25^{\circ}C$		100	220	mV
		$14V \leq V_{IN} \leq 23V, T_J=25^{\circ}C$		200	170	mV
Quiescent Current	I_Q			4.2	6.5	mA
Quiescent Current Change	ΔI_Q	$12.5V \leq V_{IN} \leq 23V$			1.5	mA
		$1mA \leq V_{IN} \leq 40mA$			0.1	mA
Output Noise Voltage	e_N	$10Hz \leq f \leq 100kHz$		74		μV
Temperature Coefficient of V_{OUT}	$\Delta V_O/\Delta T$	$I_{OUT}=5mA$		0.95		$mV/^{\circ}C$
Ripple Rejection	RR	$15V \leq V_{IN} \leq 23V, f=120Hz, T_J=25^{\circ}C$	38	43		dB
Dropout Voltage	V_D	$T_J=25^{\circ}C$		1.7		V

For UTC78L12M ($V_{IN}=19V$, $I_{OUT}=40mA$)

PARAMETER	SYMBOL	TEST CONDITIONS	MIN	TYP	MAX	UNIT
Output Voltage	V_{OUT}	$T_J=25^{\circ}C$	11.52	12	12.48	V
		$14.5V \leq V_{IN} \leq 27V, I_{OUT}=1mA \sim 40mA$	11.40		12.60	V
		$14.5V \leq V_{IN} \leq V_{MAX},$ $I_{OUT}=1mA - 200mA$	11.40		12.60	V (Note 2)
Load Regulation	ΔV_{OUT}	$T_J=25^{\circ}C, I_{OUT}=1mA \sim 100mA$		25	150	mV
		$T_J=25^{\circ}C, I_{OUT}=1mA \sim 40mA$		12	75	mV
Line Regulation	ΔV_{OUT}	$14.5V \leq V_{IN} \leq 27V, T_J=25^{\circ}C$		25	300	mV
		$16V \leq V_{IN} \leq 27V, T_J=25^{\circ}C$		20	250	mV
Quiescent Current	I_Q			2.0	6.0	mA
Quiescent Current Change	ΔI_Q	$16V \leq V_{IN} \leq 27V$			1.5	mA
		$1mA \leq V_{IN} \leq 40mA$			0.1	mA
Output Noise Voltage	e_N	$10Hz \leq f \leq 100kHz$		80		μV
Temperature Coefficient of V_{OUT}	$\Delta V_O/\Delta T$	$I_{OUT}=5mA$		-1.0		$mV/^{\circ}C$
Ripple Rejection	RR	$15V \leq V_{IN} \leq 25V, f=120Hz, T_J=25^{\circ}C$	37	65		dB
Dropout Voltage	V_D	$T_J=25^{\circ}C$		1.7		V

For UTC78L15M ($V_{IN}=23V$, $I_{OUT}=40mA$)

PARAMETER	SYMBOL	TEST CONDITIONS	MIN	TYP	MAX	UNIT
Output Voltage	V_{OUT}	$T_J=25^{\circ}C$	14.40	15	15.60	V
		$17.5V \leq V_{IN} \leq 30V, I_{OUT}=1mA \sim 40mA$	14.25		15.75	V
		$17.5V \leq V_{IN} \leq V_{MAX},$ $I_{OUT}=1mA - 200mA$	14.25		15.75	V (Note 2)
Load Regulation	ΔV_{OUT}	$T_J=25^{\circ}C, I_{OUT}=1mA \sim 100mA$		20	150	mV
		$T_J=25^{\circ}C, I_{OUT}=1mA \sim 70mA$		25	150	mV
Line Regulation	ΔV_{OUT}	$17.5V \leq V_{IN} \leq 30V, T_J=25^{\circ}C$		25	150	mV
		$20V \leq V_{IN} \leq 30V, T_J=25^{\circ}C$		15	75	mV
Quiescent Current	I_Q			2.2	6.5	mA
Quiescent Current Change	ΔI_Q	$20V \leq V_{IN} \leq 30V$			1.5	mA
		$1mA \leq V_{IN} \leq 40mA$			0.1	mA
Output Noise Voltage	e_N	$10Hz \leq f \leq 100kHz$		90		μV
Temperature Coefficient of V_{OUT}	$\Delta V_O/\Delta T$	$I_{OUT}=5mA$		-1.3		$mV/^{\circ}C$
Ripple Rejection	RR	$18.5V \leq V_{IN} \leq 28.5V, f=120Hz, T_J=25^{\circ}C$	34	63		dB
Dropout Voltage	V_D	$T_J=25^{\circ}C$		1.7		V

■ ELECTRICAL CHARACTERISTICS(Cont.)

For UTC78L18M ($V_{IN}=27V$, $I_{OUT}=40mA$)

PARAMETER	SYMBOL	TEST CONDITIONS	MIN	TYP	MAX	UNIT
Output Voltage	V_{OUT}	$T_J=25^{\circ}C$	17.28	18	18.72	V
		$21V \leq V_{IN} \leq 33V, I_{OUT}=1mA \sim 40mA$	17.10		18.90	V
		$21V \leq V_{IN} \leq V_{MAX}, I_{OUT}=1mA \sim 200mA$	17.10		18.90	V (Note 2)
Load Regulation	ΔV_{OUT}	$T_J=25^{\circ}C, I_{OUT}=1mA \sim 100mA$		30	170	mV
		$T_J=25^{\circ}C, I_{OUT}=1mA \sim 40mA$		15	85	mV
Line Regulation	ΔV_{OUT}	$21V \leq V_{IN} \leq 33V, T_J=25^{\circ}C$		145	300	mV
		$22V \leq V_{IN} \leq 33V, T_J=25^{\circ}C$		135	250	mV
Quiescent Current	I_Q			2.0	6.0	mA
Quiescent Current Change	ΔI_Q	$21V \leq V_{IN} \leq 33V$			1.5	mA
		$1mA \leq V_{IN} \leq 40mA$			0.1	mA
Output Noise Voltage	e_N	$10Hz \leq f \leq 100kHz$		150		μV
Temperature Coefficient of V_{OUT}	$\Delta V_O/\Delta T$	$I_{OUT}=5mA$		-1.8		$mV/^{\circ}C$
Ripple Rejection	RR	$23V \leq V_{IN} \leq 33V, f=120Hz, T_J=25^{\circ}C$	34	48		dB
Dropout Voltage	V_D	$T_J=25^{\circ}C$		1.7		V

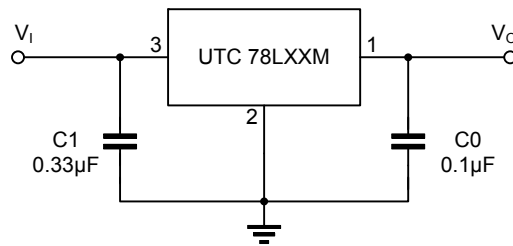
For UTC78L24M ($V_{IN}=33V$, $I_{OUT}=40mA$)

PARAMETER	SYMBOL	TEST CONDITIONS	MIN	TYP	MAX	UNIT
Output Voltage	V_{OUT}	$T_J=25^{\circ}C$	23.04	24	24.96	V
		$27V \leq V_{IN} \leq 38V, I_{OUT}=1mA \sim 40mA$	22.80		25.20	V
		$27V \leq V_{IN} \leq V_{MAX}, I_{OUT}=1mA \sim 200mA$	22.80		25.20	V (Note 2)
Load Regulation	ΔV_{OUT}	$T_J=25^{\circ}C, I_{OUT}=1mA \sim 100mA$		40	200	mV
		$T_J=25^{\circ}C, I_{OUT}=1mA \sim 40mA$		20	100	mV
Line Regulation	ΔV_{OUT}	$27V \leq V_{IN} \leq 38V, T_J=25^{\circ}C$		160	300	mV
		$28V \leq V_{IN} \leq 38V, T_J=25^{\circ}C$		150	250	mV
Quiescent Current	I_Q			2.2	6.0	mA
Quiescent Current Change	ΔI_Q	$27V \leq V_{IN} \leq 38V$			1.5	mA
		$1mA \leq V_{IN} \leq 40mA$			0.1	mA
Output Noise Voltage	e_N	$10Hz \leq f \leq 100kHz$		200		μV
Temperature Coefficient of V_{OUT}	$\Delta V_O/\Delta T$	$I_{OUT}=5mA$		-2.0		$mV/^{\circ}C$
Ripple Rejection	RR	$27V \leq V_{IN} \leq 38V, f=120Hz, T_J=25^{\circ}C$	34	45		dB
Dropout Voltage	V_D	$T_J=25^{\circ}C$		1.7		V

Note: 1. The Maximum steady state usable output current are dependent on input voltage, heat sinking, lead length of the package and copper pattern of PCB. The data above represent pulse test conditions with junction temperatures specified at the initiation of test.

2. Power dissipation < 0.5W

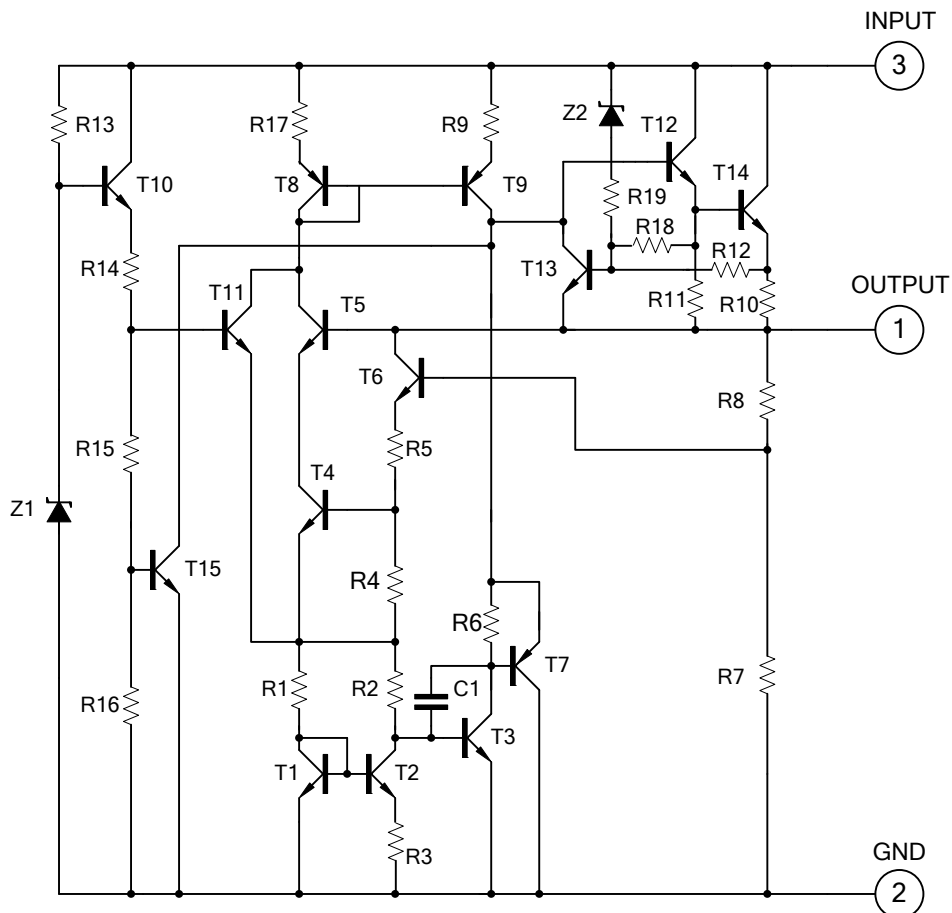
APPLICATION CIRCUIT



Notes 1: To specify an output voltage, substitute voltage value for "XXM".

2: Bypass capacitors are recommended for optimum stability and transient response and should be located as close as possible to the regulators.

TEST CIRCUIT



■ TYPICAL CHARACTERISTICS

Fig.1 Ambient Temperature vs. Power Dissipation

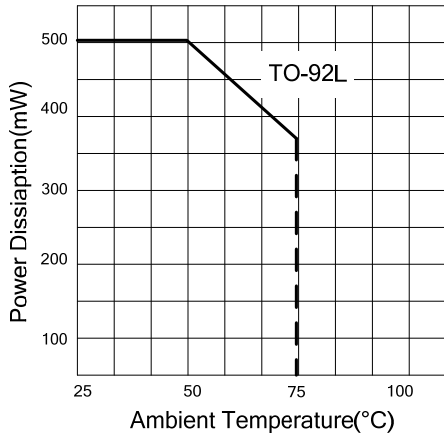


Fig.2 UTC78L05M Output Voltage vs. Ambient Temperature

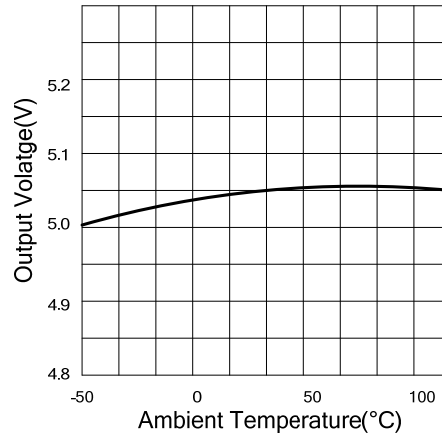


Fig.3 UTC78L12M Power Dissipation vs. Ambient Temperature

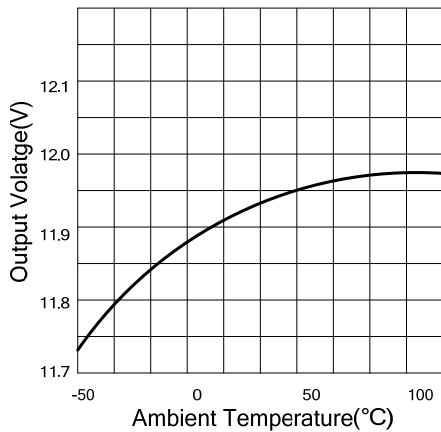
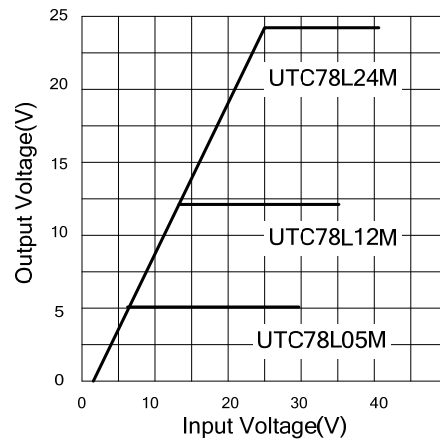


Fig.4 Output Characteristics (I_{OUT}=0mA, T_J=25°C)



UTC assumes no responsibility for equipment failures that result from using products at values that exceed, even momentarily, rated values (such as maximum ratings, operating condition ranges, or other parameters) listed in products specifications of any and all UTC products described or contained herein. UTC products are not designed for use in life support appliances, devices or systems where malfunction of these products can be reasonably expected to result in personal injury. Reproduction in whole or in part is prohibited without the prior written consent of the copyright owner. The information presented in this document does not form part of any quotation or contract, is believed to be accurate and reliable and may be changed without notice.