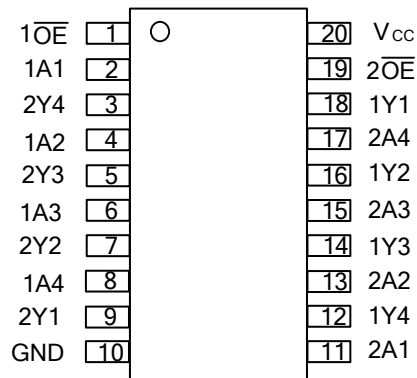


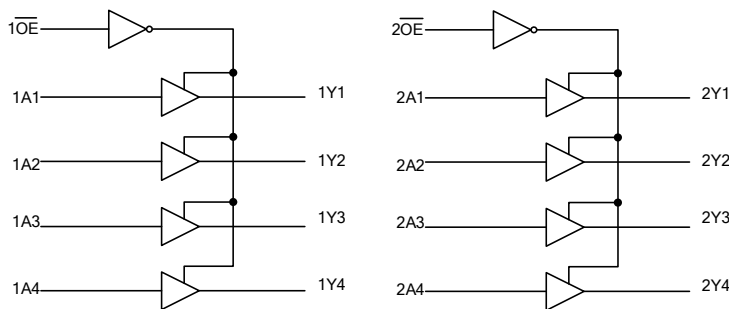
■ PIN CONFIGURATION



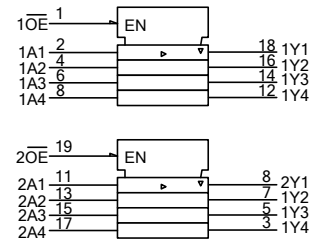
■ FUNCTION TABLE (each gate)

INPUT(nOE)	INPUT(nAn)	OUTPUT(nYn)
H	X	Z
L	H	H
L	L	L

■ LOGIC DIAGRAM (positive logic)



Logic symbol



IEC logic symbol

■ ABSOLUTE MAXIMUM RATINGS (unless otherwise specified)

PARAMETER	SYMBOL	RATINGS	UNIT
Supply Voltage	V_{CC}	-0.5 ~ 7	V
Input Clamp Current	I_{IK}	±20	mA
Output Clamp Current	I_{OK}	±20	mA
Output Current	I_{OUT}	±35	mA
V_{CC} or GND Current	I_{CC}	±70	mA
Storage Temperature	T_{STG}	-65 ~ +150	°C

Note: Absolute maximum ratings are those values beyond which the device could be permanently damaged.
 Absolute maximum ratings are stress ratings only and functional device operation is not implied.

■ RECOMMENDED OPERATING CONDITIONS

PARAMETER	SYMBOL	CONDITIONS	MIN	TYP	MAX	UNIT
Supply Voltage	V_{CC}		2		6	V
Input Voltage	V_{IN}		0		V_{CC}	V
Output Voltage	V_{OUT}		0		V_{CC}	V
Input Rise or Fall Times	t_R, t_F	$V_{CC}=2V$			1000	ns
		$V_{CC}=4.5V$			500	ns
		$V_{CC}=6V$			400	ns
Operating Temperature	T_A		-40		+125	°C

■ STATIC CHARACTERISTICS ($T_A=25^\circ\text{C}$, unless otherwise specified)

PARAMETER	SYMBOL	TEST CONDITIONS	MIN	TYP	MAX	UNIT
High-Level Input Voltage	V_{IH}	$V_{CC}=2V$	1.5			V
		$V_{CC}=4.5V$	3.15			V
		$V_{CC}=6V$	4.2			V
Low-Level Input Voltage	V_{IL}	$V_{CC}=2V$			0.5	V
		$V_{CC}=4.5V$			1.35	V
		$V_{CC}=6V$			1.8	V
High-Level Output Voltage	V_{OH}	$V_{CC}=2V, I_{OH}=-20\mu\text{A}$	1.9	1.998		V
		$V_{CC}=4.5V, I_{OH}=-20\mu\text{A}$	4.4	4.499		V
		$V_{CC}=6V, I_{OH}=-20\mu\text{A}$	5.9	5.999		V
		$V_{CC}=4.5V, I_{OH}=-6\text{mA}$	3.98	4.3		V
		$V_{CC}=6V, I_{OH}=-7.8\text{mA}$	5.48	5.8		V
Low-Level Output Voltage	V_{OL}	$V_{CC}=2V, I_{OL}=20\mu\text{A}$		0.002	0.1	V
		$V_{CC}=4.5V, I_{OL}=20\mu\text{A}$		0.001	0.1	V
		$V_{CC}=6V, I_{OL}=20\mu\text{A}$		0.001	0.1	V
		$V_{CC}=4.5V, I_{OL}=6\text{mA}$		0.17	0.26	V
		$V_{CC}=6V, I_{OL}=7.8\text{mA}$		0.15	0.26	V
Input Leakage Current	$I_{I(LEAK)}$	$V_{CC}=6V, V_{IN}=V_{CC}$ or 0			±100	nA
Output OFF-State Current	I_{OZ}	$V_{CC}=6V, V_{OUT}=V_{CC}$ or 0, $V_{IN}=V_{IH}$ or V_{IL}			±0.5	μA
Quiescent Supply Current	I_Q	$V_{CC}=6V, V_{IN}=V_{CC}$ or 0, $I_{OUT}=0$			8	μA
Input Capacitance	C_{IN}	$V_{CC}=2V\sim 6V$		3	10	pF

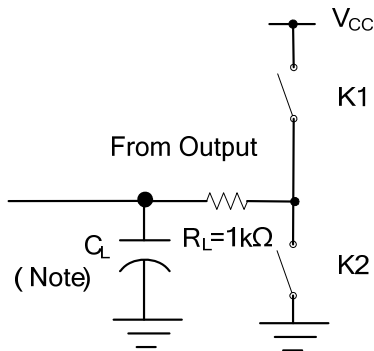
■ DYNAMIC CHARACTERISTICS (Input: $t_R, t_F=6\text{ns}$ $T_A=25^\circ\text{C}$, unless otherwise specified)

PARAMETER	SYMBOL	TEST CONDITIONS	MIN	TYP	MAX	UNIT
Propagation delay from input (A) to output(Y)	t_{PLH} / t_{PHL}	$V_{CC}=2\text{V}, C_L=50\text{pF}$		40	115	ns
		$V_{CC}=2\text{V}, C_L=150\text{pF}$		56	165	ns
		$V_{CC}=4.5\text{V}, C_L=50\text{pF}$		13	23	ns
		$V_{CC}=4.5\text{V}, C_L=150\text{pF}$		18	33	ns
		$V_{CC}=6\text{V}, C_L=50\text{pF}$		11	20	ns
		$V_{CC}=6\text{V}, C_L=150\text{pF}$		15	28	ns
3-state output enable time $n\overline{OE}$ to nY_n	t_{PZH} / t_{PZL}	$V_{CC}=2\text{V}, C_L=50\text{pF}$		75	150	ns
		$V_{CC}=2\text{V}, C_L=150\text{pF}$		100	200	ns
		$V_{CC}=4.5\text{V}, C_L=50\text{pF}$		15	30	ns
		$V_{CC}=4.5\text{V}, C_L=150\text{pF}$		20	40	ns
		$V_{CC}=6\text{V}, C_L=50\text{pF}$		13	26	ns
		$V_{CC}=6\text{V}, C_L=150\text{pF}$		17	34	ns
3-state output disable time $n\overline{OE}$ to nY_n	t_{PHZ} / t_{PLZ}	$V_{CC}=2\text{V}, C_L=50\text{pF}$		75	150	ns
		$V_{CC}=4.5\text{V}, C_L=50\text{pF}$		15	30	ns
		$V_{CC}=6\text{V}, C_L=50\text{pF}$		13	26	ns

■ OPERATING CHARACTERISTICS

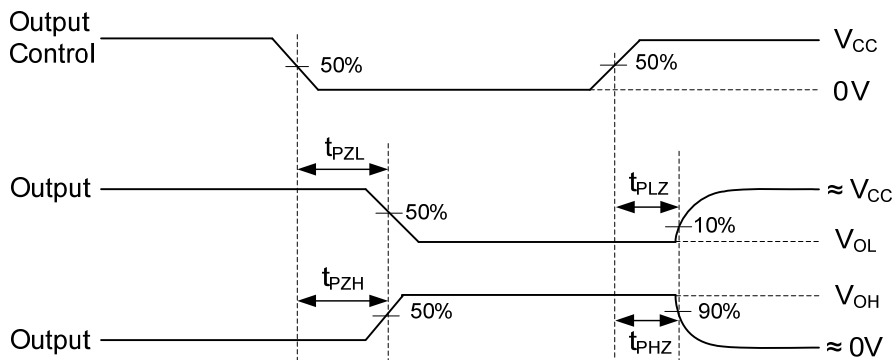
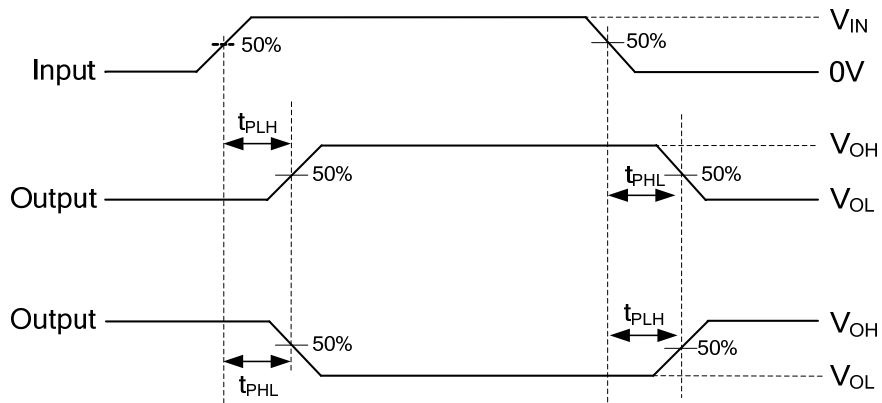
PARAMETER	SYMBOL	TEST CONDITIONS	MIN	TYP	MAX	UNIT
Power Dissipation Capacitance	C_{PD}	No load		35		pF

■ TEST CIRCUIT AND WAVEFORMS



TEST	K1	K2
t_{PLH}/t_{PHL}	Open	Open
t_{PHZ}/t_{PZH}	Open	Close
t_{PLZ}/t_{PZL}	Close	Open

Note: C_L includes probe and jig capacitance.



UTC assumes no responsibility for equipment failures that result from using products at values that exceed, even momentarily, rated values (such as maximum ratings, operating condition ranges, or other parameters) listed in products specifications of any and all UTC products described or contained herein. UTC products are not designed for use in life support appliances, devices or systems where malfunction of these products can be reasonably expected to result in personal injury. Reproduction in whole or in part is prohibited without the prior written consent of the copyright owner. UTC reserves the right to make changes to information published in this document, including without limitation specifications and product descriptions, at any time and without notice. This document supersedes and replaces all information supplied prior to the publication hereof.